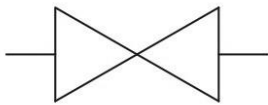


2-Way Carbon Steel



PN up to 500 bar

DN up to 50

Specifications

- Type: ball valve KHB 2way
- Body: block
- Material: 1,0737
- Ball seats: from DN4 up to DN25
- O-Rings: NBR, FKM, EPDM, MVQ
- Operating pressure: 500 Bar depending on valve size and seal materials selected
- Temp. range: -10°C to +100°C depending on seal material selected

High Pressure Ball Valves KHB2

KHB2 G^{1/2} DN13 2 2 2 2 B A

Type and way of valve
KHB2 2-way high pressure ball valves

Valves dimension of inch

DIN/ISO 228	ANSI/ASME B1.20.1 NPT	SAE J1926-1
G 1/8	N 1/8	SAE4
G 1/4	N 1/4	SAE6
G 3/8	N 3/8	SAE8
G 1/2	N 1/2	SAE12
G 3/4	N 3/4	SAE16
G 1"	N 1"	SAE20R
G 1" 1/4R	N 1" 1/4R	SAE24R
G 1" 1/2R	N 1" 1/2R	

DIN 2353 HEAVY SERIES	DIN 2353 LIGHT SERIES
8S	6L
10S	8L
12S	10L
14S	12L
16S	15L
20S	18L
25S	22L
30S	28L
38S	35L
	42L

Nominal dimension

DN4
DN6
DN10
DN13
DN20
DN25

Body material

1 1,0737

Adapter material

1 1,0737

Stem material

1 1,0737

Ball material

1 1,0737

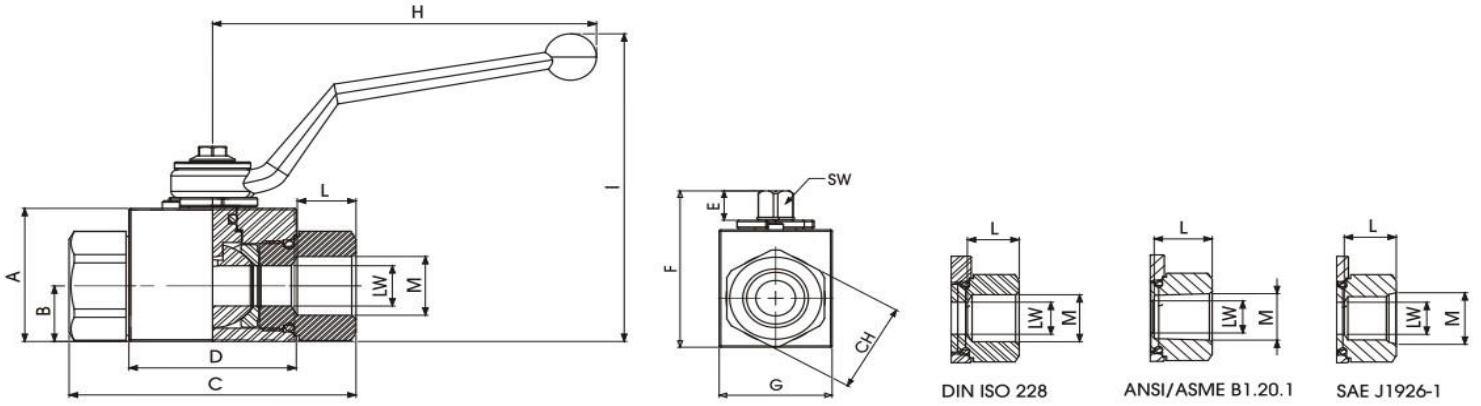
Ball seat material

A POM
D PEEK
G PA612
K GEMPTFE
C PTFE

Adapter and stem seal material

B NBR
E FKM
F EPDM
L MVQ

Standard



KHB2 DIN ISO 228 BSP

Standard

TYPE	PN	DN	A	B	C	D	E	F	G	H	I	L	M	CH	SW	LW	WEIGHT Kg
KHB2 G 1/8"	500 Bar	4	35	14	71	42	11	49	30	110	91	11	G 1/8	24	9	4	0,512
KHB2 G 1/4"	500 Bar	6	35	14	71	42	11	49	30	110	91	15,5	G 1/4	24	9	6	0,497
KHB2 G 3/8"	500 Bar	10	40	17	73	44	11	54,25	35	110	96	15,5	G 3/8	30	9	10	0,652
KHB2 G 1/2"	500 Bar	13	43	18	83	48	11	57	37	110	99	17	G 1/2	32	9	13	0,77
KHB2 G 3/4"	400 Bar	20	55	23	95	62	14	73,5	45	180	106	21	G 3/4	41	14	20	1,46
KHB2 G 1"	350 Bar	25	65	29	112	66	14	83,5	55	180	116	24	G 1"	50	14	25	2,23
KHB2 G 1" 1/4 R	350 Bar	25	65	29	120	66	14	83,5	55	180	116	24	G 1"1/4	55	14	25	2,299
KHB2 G 1" 1/2 R	350 Bar	25	65	29	124	66	14	83,5	55	180	116	24	G 1"1/2	60	14	25	2,413
KHB2 G 1" 1/4	350 Bar	85	85	37	110	83	17	103	75	305	145	13	G 1"1/4	65	17	32	4,140
KHB2 G 1" 1/2	350 Bar	96	95	42	130	91	17	114	85	305	155	19	G 1"1/2	70	17	38	5,540
KHB2 G 2"	350 Bar	112	113	52	140	100	17	131	110	305	173	19	G 2"	85	17	50	8,580

KHB2 ANSI/ASME B1.20.1 NPT

Standard

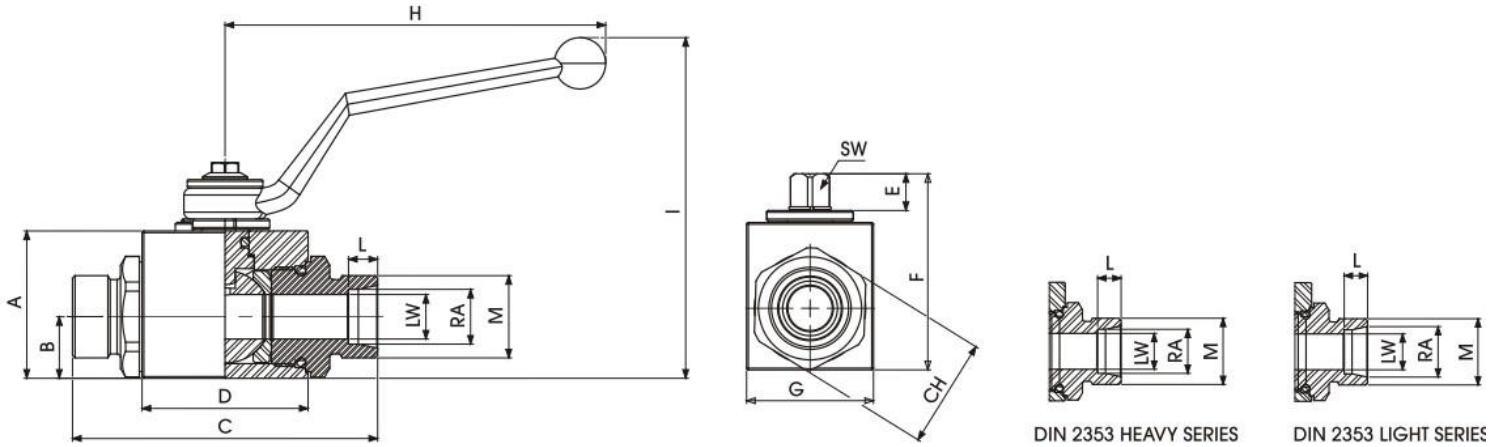
TYPE	PN	DN	A	B	C	D	E	F	G	H	I	L	M	CH	SW	LW	WEIGHT Kg
KHB2 N 1/8"	500 Bar	4	35	14	71	42	11	49	30	110	91	11	N 1/8	24	9	4	0,512
KHB2 N 1/4"	500 Bar	6	35	14	71	42	11	49	30	110	91	17	N 1/4	24	9	6	0,5
KHB2 N 3/8"	500 Bar	10	40	17	73	44	11	54,25	35	110	96	17	N 3/8	30	9	10	0,655
KHB2 N 1/2"	500 Bar	13	43	18	83	48	11	57	37	110	99	21	N 1/2	32	9	13	0,771
KHB2 N 3/4"	400 Bar	20	55	23	95	62	14	73,5	45	180	106	21	N 3/4	41	14	20	1,478
KHB2 N 1"	350 Bar	25	65	29	112	66	14	83,5	55	180	116	24	N 1"	50	14	25	2,279
KHB2 N 1" 1/4 R	350 Bar	25	65	29	120	66	14	83,5	55	180	116	24	N 1"1/4	55	14	25	2,351
KHB2 N 1" 1/2 R	350 Bar	25	65	29	124	66	14	83,5	55	180	116	24	N 1"1/2	60	14	25	2,482
KHB2 N 1" 1/4	350 Bar	85	85	37	110	83	17	103	75	305	145	13	G 1"1/4	65	17	32	4,140
KHB2 N 1" 1/2	350 Bar	96	95	42	130	91	17	114	85	305	155	19	G 1"1/2	70	17	38	5,540
KHB2 N 2"	350 Bar	112	113	52	140	100	17	131	110	305	173	19	G 2"	85	17	50	8,580

KHB2 SAE J1926-1

Standard

TYPE	PN	DN	A	B	C	D	E	F	G	H	I	L	M	CH	SW	LW	WEIGHT Kg
KHB2 SAE4	500 Bar	6	35	14	71	42	11	49	30	110	91	15,5	7/16 UNF	24	9	6	0,504
KHB2 SAE6	500 Bar	10	40	17	73	44	11	54,25	35	110	96	16	9/16 UNF	30	9	10	0,663
KHB2 SAE8	500 Bar	13	43	18	83	48	11	57	37	110	99	17,5	3/4 UNF	32	9	13	0,779
KHB2 SAE12	400 Bar	20	55	23	95	62	14	73,5	45	180	106	23	1"1/16 UN	41	14	20	1,441
KHB2 SAE16	350 Bar	25	65	29	112	66	14	83,5	55	180	116	23	1"5/16 UN	50	14	25	2,335
KHB2 SAE20R	350 Bar	25	65	29	120	66	14	83,5	55	180	116	23	1"5/8 UN	55	14	25	2,307
KHB2 SAE24R	350 Bar	25	65	29	124	66	14	83,5	55	180	116	23	1"7/8 UN	60	14	25	2,399
KHB2 SAE 1" 1/4	350 Bar	85	85	37	110	83	17	103	75	305	145	13	G 1"1/4	65	17	32	4,140
KHB2 SAE 1" 1/2	350 Bar	96	95	42	130	91	17	114	85	305	155	19	G 1"1/2	70	17	38	5,540
KHB2 SAE 2"	350 Bar	112	113	52	140	100	17	131	110	305	173	19	G 2"	85	17	50	8,580

Light & Heavy Series



KHB2 DIN 2353 LIGHT SERIES

Standard

Type	PN	DN	A	B	C	D	E	F	G	H	I	L	M	CH	LW	SW	RA	WEIGHT Kg
KHB2 6L	500 Bar	6	35	14	76	42	11	49	30	110	91	7	12X1.5	24	6	9	6	0,475
KHB2 8L	500 Bar	6	35	14	76	42	11	49	30	110	91	7	14X1.5	24	6	9	8	0,477
KHB2 10L	500 Bar	10	40	17	76	44	11	54	35	110	96	7	16X1.5	30	10	9	10	0,597
KHB2 12L	500 Bar	10	40	17	79	44	11	54	35	110	96	7	18X1.5	30	10	9	12	0,616
KHB2 15L	500 Bar	13	43	18	87	48	11	57	37	110	99	7	22X1.5	32	13	9	15	0,731
KHB2 18L	500 Bar	13	43	18	87	48	11	57	37	110	99	7,5	26X1.5	32	13	9	18	0,748
KHB2 22L	400 Bar	20	55	23	110	62	14	73	45	180	106	7,5	30X2	41	20	14	22	1,463
KHB2 28L	350 Bar	25	65	29	117	66	14	83	55	180	116	7,5	36X2	50	25	14	28	2,131
KHB2 35L	350 Bar	25	65	29	119	66	14	83	55	180	116	10,5	45X2	50	25	14	35	2,163
KHB2 42L	350 Bar	25	65	29	119	66	14	83	55	180	116	11	52X2	55	25	14	42	2,256

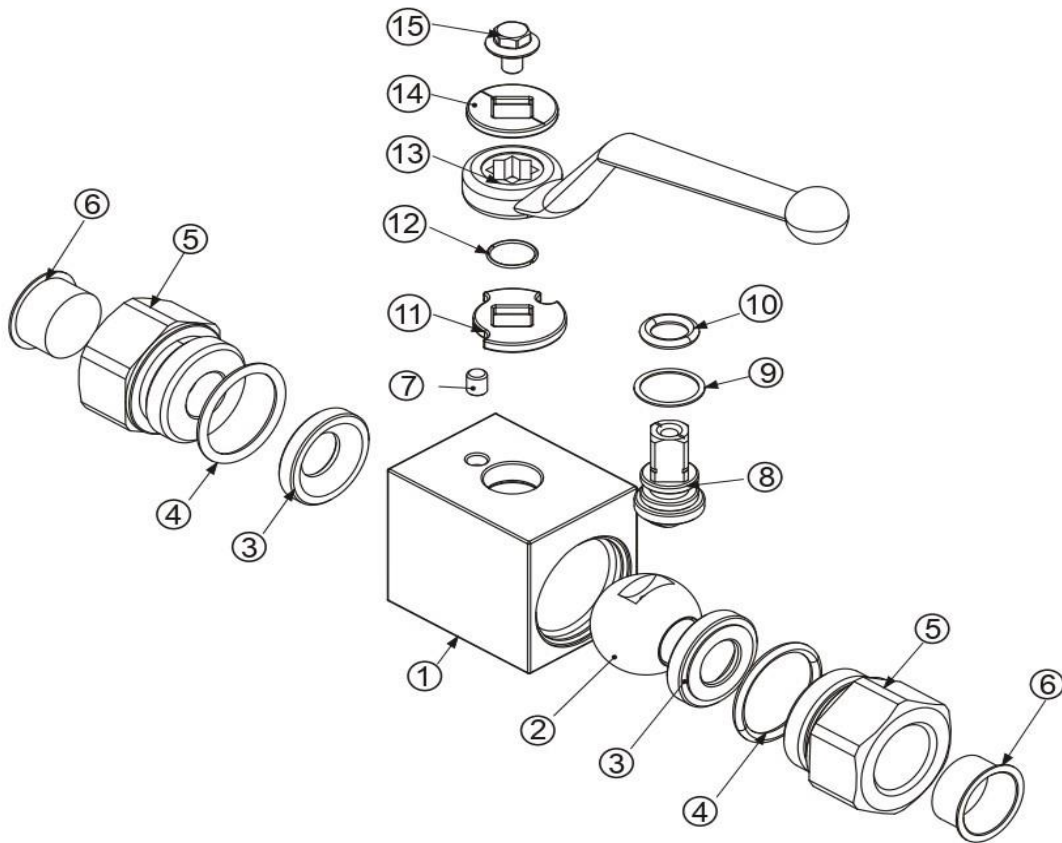
KHB2 DIN 2353 HEAVY SERIES

Standard

Type	PN	DN	A	B	C	D	E	F	G	H	I	L	M	CH	LW	SW	RA	WEIGHT Kg
KHB2 8S	500 Bar	4	35	14	76	42	11	49	30	110	91	7	16X1,5	24	4	9	8	0,501
KHB2 10S	500 Bar	6	35	14	76	42	11	49	30	110	91	7,5	18X1,5	24	6	9	10	0,501
KHB2 12S	500 Bar	10	40	17	76	44	11	54	35	110	96	7,5	20X1,5	30	10	9	12	0,599
KHB2 14S	500 Bar	10	40	17	82	44	11	54	35	110	96	8	22X1,5	30	10	9	14	0,629
KHB2 16S	500 Bar	13	43	18	89	48	11	57	37	110	99	8,5	24X1,5	32	13	9	16	0,67
KHB2 20S	500 Bar	13	43	18	93	48	11	57	37	110	99	10,5	30X2	32	13	9	20	0,786
KHB2 25S	400 Bar	20	55	23	111	62	14	73	45	180	106	12	36X2	41	20	14	25	1,485
KHB2 30S	350 Bar	25	65	29	121	66	14	83	55	180	116	13	42X2	50	25	14	30	2,145
KHB2 38S	350 Bar	25	65	29	131	66	14	83	55	180	116	16	52X2	55	25	14	38	2,373

Ball Valves

KHB2 2-WAY HIGH PRESSURE BALL VALVES

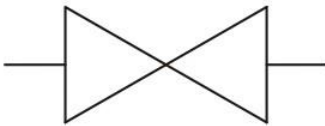


On request

- Reduced bore
- O-Ring in EPDM, FFKM, MQV
- Seals in PEEK, PA 612, RPTFE, GEMPTFE
- Special Threads
- Stem in stainless steel 1,4404
- Ball in stainless steel 1,4404
- Pressure Class PN 100 to PN 500
- Pneumatic and electrical actuator
- Security block
- Locking device

Pos	Description	Material	Q.tà
1	Body	1,0737	1
2	Ball	1,0737	1
3	Ball seat	POM	2
4	Adapter o-ring	NBR	2
5	Adapter	1,0737	2
6	Caps	PVC	2
7	Spine	1,0737	1
8	Stem	1,0737	1
9	Stem ring	POM	1
10	Stem o-ring	NBR	1
11	Washer	1,0116	1
12	Seeger	1,4301	1
13	Handle	ZINC	1
14	Washer	1,0116	1
15	Screw	Din 6921 8.8	1

**2-Way
Carbon Steel**



High Pressure Ball Valves With Split Flange Connection KHB2SF

KHB A3 DN13 2 2 2 2 B A

Type and way of valve
KHB2SF 2-way high pressure ball valves

Valves dimension of pressure (psi)

S3 S6
S3000 S6000

Nominal dimension

DN13
DN20
DN25

Body material

1 1,0737

Adapter material

1 1,0737

Stem material

1 1,0737

Ball material

1 1,0737

Ball seat material

A POM
D PEEK
G PA612
K GEMPTFE
C PTFE

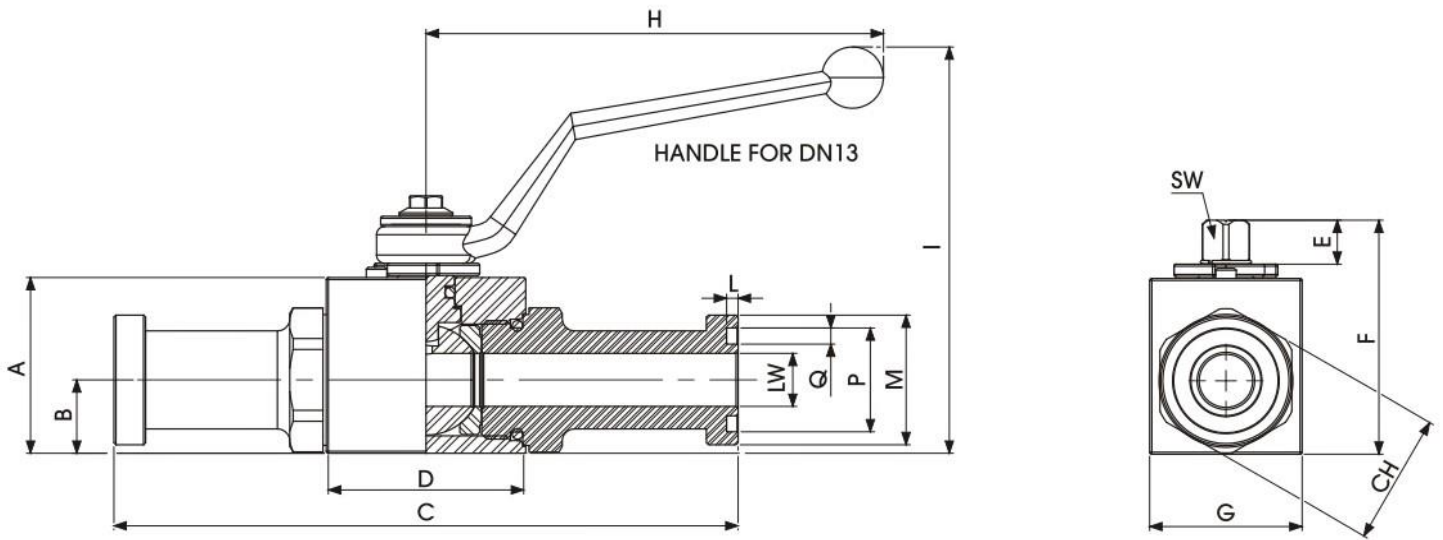
Adapter and stem seal material

B NBR
E FKM
F EPDM
L MVQ

Specifications

- Type: ball valve KHB2SF 2way
- Body: block
- Material: 1,0737
- Ball seats: from DN13 up to DN25
- O-Rings: NBR, FKM, EPDM, MVQ
- Operating pressure: S3000 (PN210)
S6000 (PN420) depending on valve size and seal materials selected
- Temp. range: -10°C to +100°C depending on seal material selected

Standard



KHB2SF SAE J518 S3000

Standard

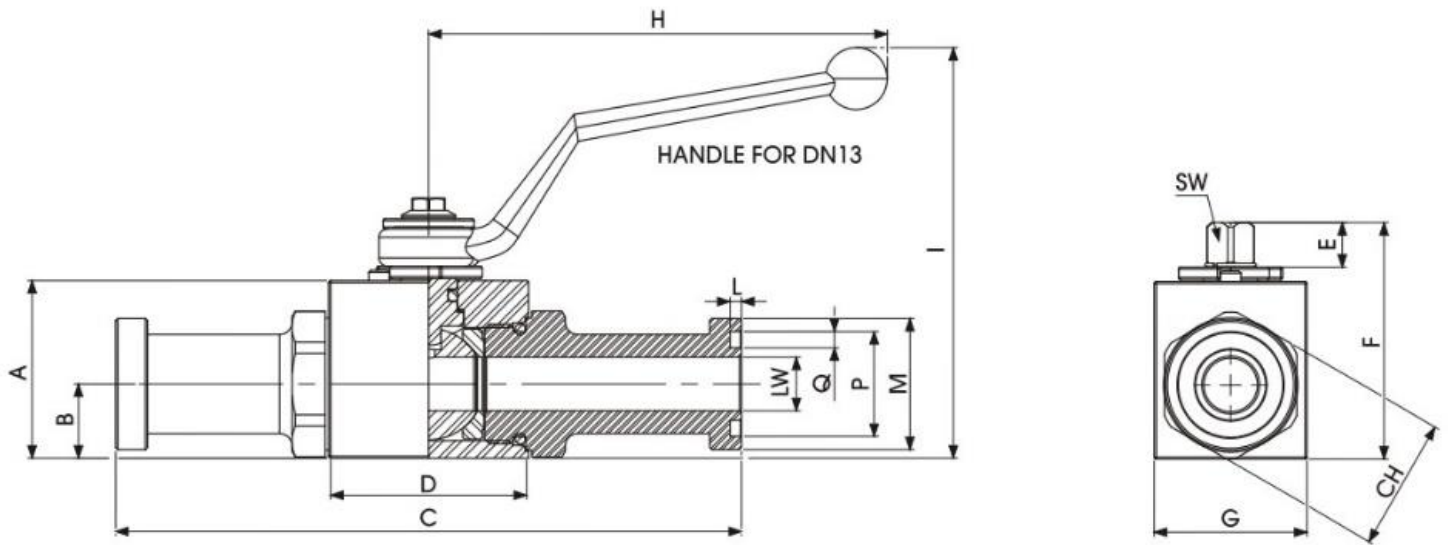
TYPE	PN	DN	A	B	C	D	E	F	G	H	I	L	M	CH	P	Q	SW	LW	WEIGHT Kg
KHB2SF	400 Bar	13	43	18	151	48,4	11	57	37	110	99	2,79	30,2	32	25,4	3,94	9	13	0,96
KHB2SF	400 Bar	20	55	23	162	62,5	14	73,5	45	180	106	2,79	38,1	41	31,75	3,94	14	20	0,717
KHB2SF	400 Bar	25	65	29,5	178	66,5	14	83,5	55	180	116	2,79	44,4	50	39,2	3,94	14	25	2,597

KHBA3 SAE J518 S3000

Standard

TYPE	PN	DN	A	B	C	D	E	F	ØG	H	I	L	M	N	CH	P	Q	SW	LW	WEIGHT Kg
KHBA3	350 Bar	32	93	46	190,5	75	13,5	111,5	98	300	120,5	2,79	50,8	88	60	44,45	3,94	17	32	5,429
KHBA3	350 Bar	40	107	53	230,5	85	13,5	125,5	113	300	134,5	2,79	60,26	102	75	53,67	3,94	17	40	8,265
KHBA3	350 Bar	50	114	57	232	98	13,5	132,5	123	300	141,5	2,79	71,4	118	85	63,25	3,94	17	50	9,865

Ball Valves



KHB2SF SAE J518 S6000

Standard

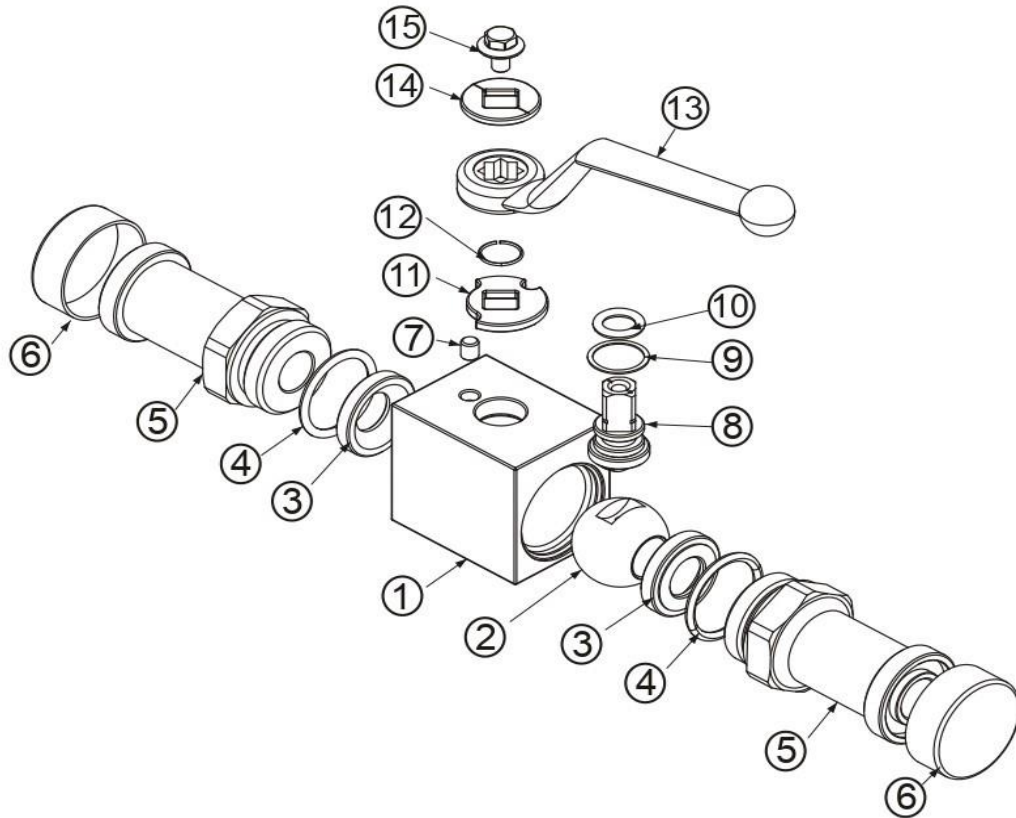
TYPE	PN	DN	A	B	C	D	E	F	G	H	I	L	M	CH	P	Q	SW	LW	WEIGHT Kg
KHBA6	500 Bar	13	43	18	151,5	48,4	11	57	37	110	99,5	2,79	31,6	32	25,4	3,94	9	13	0,956
KHBA6	500 Bar	20	55	23,4	174	62,5	14	73,5	45	180	106,5	2,79	41,3	41	31,75	3,94	14	20	1,792
KHBA6	500 Bar	25	65	29,5	198	66,5	14	83,5	55	180	116,5	2,79	47,8	50	39,2	3,94	14	25	2,759

KHB2SF SAE J518 S6000

Standard

TYPE	PN	DN	A	B	C	D	E	F	ØG	H	I	L	M	N	CH	P	Q	SW	LW	WEIGHT Kg
KHBA6	400 Bar	32	93	46,5	223	75	13,5	111,5	98	300	120,5	2,79	54	88	60	44,45	3,94	17	32	5,828
KHBA6	400 Bar	40	107	53,5	281	85	13,5	125,5	113	300	134,5	2,79	63,46	102	75	53,67	3,94	17	40	8,251
KHBA6	400 Bar	50	114	57	316	98	13,5	132,5	123	300	141,5	2,79	79,4	118	85	63,25	3,94	17	50	11,774

KHB2SF 2-WAY HIGH PRESSURE BALL VALVES



On request

- Reduced bore
- O-Ring in EPDM, FFKM, MQV
- Seals in PEEK, PA 612, RPTFE, GEMPTFE
- Special Threads
- Stem in stainless steel 1,4404
- Ball in stainless steel 1,4404
- Pressure Class PN 100 to PN 420
- Pneumatic and electrical actuator
- Locking device

Pos	Description	Material	Q.tà
1	Body	1,0737	1
2	Ball	1,0737	1
3	Ball Seat	POM	2
4	Adapter o-ring	NBR	2
5	Adapter	1,0737	2
6	Caps	PVC	2
7	Spine	1,0737	1
8	Stem	1,0737	1
9	Stem ring	POM	1
10	Stem-o-ring	NBR	1
11	Washer	1,0116	1
12	Seeger	1,4301	1
13	Handle	ZINC	1
14	Washer	1,0116	1
15	Screw	Din 6921 8.8	1

