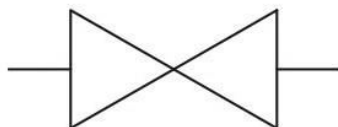


2-Way Carbon Steel



PN up to 500 bar

DN up to 50

Specifications

- Type: ball valve KHB 2way
- Body: block
- Material: 1,0737
- Ball seats: from DN4 up to DN25
- O-Rings: NBR, FKM, EPDM, MVQ
- Operating pressure: 500 Bar depending on valve size and seal materials selected
- Temp. range: -10°C to +100°C depending on seal material selected

High Pressure Ball Valves KHB2

KHB2 G¹/₂ DN13 2 2 2 2 B A

Type and way of valve
KHB2 2-way high pressure ball valves

Valves dimension of inch

GAS	ANSI/ASME	SAE
DIN/ISO 228	B1.20.1 NPT	J1926-1
G 1/8	N 1/8	SAE4
G 1/4	N 1/4	SAE6
G 3/8	N 3/8	SAE8
G 1/2	N 1/2	SAE12
G 3/4	N 3/4	SAE16
G 1"	N 1"	SAE20R
G 1" 1/4R	N 1" 1/4R	SAE24R
G 1" 1/2R	N 1" 1/2R	

DIN 2353 HEAVY SERIES	DIN 2353 LIGHT SERIES
8S	6L
10S	8L
12S	10L
14S	12L
16S	15L
20S	18L
25S	22L
30S	28L
38S	35L
	42L

Nominal dimension

DN4
DN6
DN10
DN13
DN20
DN25

Body material

1 1,0737

Adapter material

1 1,0737

Stem material

1 1,0737

Ball material

1 1,0737

Ball seat material

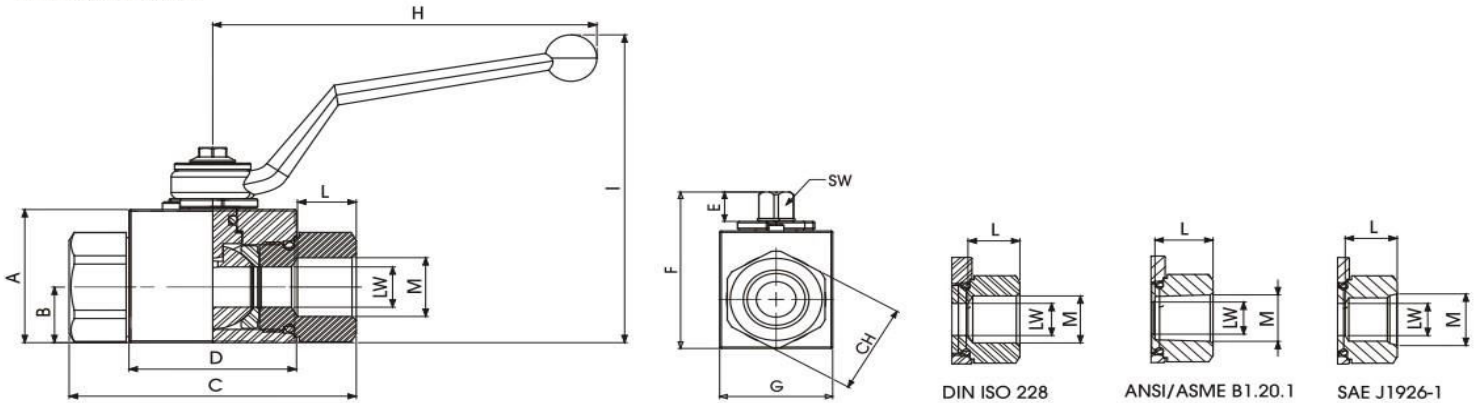
A POM
D PEEK
G PA612
K GEMPTFE
C PTFE

Adapter and stem seal material

B NBR
E FKM
F EPDM
L MVQ

ATAUFF HYDRAULIC STORE

Standard



KHB2 DIN ISO 228 BSP

Standard

TYPE	PN	DN	A	B	C	D	E	F	G	H	I	L	M	CH	SW	LW	WEIGHT Kg
KHB2 G 1/8"	500 Bar	4	35	14	71	42	11	49	30	110	91	11	G 1/8	24	9	4	0,512
KHB2 G 1/4"	500 Bar	6	35	14	71	42	11	49	30	110	91	15,5	G 1/4	24	9	6	0,497
KHB2 G 3/8"	500 Bar	10	40	17	73	44	11	54,25	35	110	96	15,5	G 3/8	30	9	10	0,652
KHB2 G 1/2"	500 Bar	13	43	18	83	48	11	57	37	110	99	17	G 1/2	32	9	13	0,77
KHB2 G 3/4"	400 Bar	20	55	23	95	62	14	73,5	45	180	106	21	G 3/4	41	14	20	1,46
KHB2 G 1"	350 Bar	25	65	29	112	66	14	83,5	55	180	116	24	G 1"	50	14	25	2,23
KHB2 G 1" 1/4 R	350 Bar	25	65	29	120	66	14	83,5	55	180	116	24	G 1"1/4	55	14	25	2,299
KHB2 G 1" 1/2 R	350 Bar	25	65	29	124	66	14	83,5	55	180	116	24	G 1"1/2	60	14	25	2,413
KHB2 G 1" 1/4	350 Bar	85	85	37	110	83	17	103	75	305	145	13	G 1"1/4	65	17	32	4,140
KHB2 G 1" 1/2	350 Bar	96	95	42	130	91	17	114	85	305	155	19	G 1"1/2	70	17	38	5,540
KHB2 G 2"	350 Bar	112	113	52	140	100	17	131	110	305	173	19	G 2"	85	17	50	8,580

KHB2 ANSI/ASME B1.20.1 NPT

Standard

TYPE	PN	DN	A	B	C	D	E	F	G	H	I	L	M	CH	SW	LW	WEIGHT Kg
KHB2 N 1/8"	500 Bar	4	35	14	71	42	11	49	30	110	91	11	N 1/8	24	9	4	0,512
KHB2 N 1/4"	500 Bar	6	35	14	71	42	11	49	30	110	91	17	N 1/4	24	9	6	0,5
KHB2 N 3/8"	500 Bar	10	40	17	73	44	11	54,25	35	110	96	17	N 3/8	30	9	10	0,655
KHB2 N 1/2"	500 Bar	13	43	18	83	48	11	57	37	110	99	21	N 1/2	32	9	13	0,771
KHB2 N 3/4"	400 Bar	20	55	23	95	62	14	73,5	45	180	106	21	N 3/4	41	14	20	1,478
KHB2 N 1"	350 Bar	25	65	29	112	66	14	83,5	55	180	116	24	N 1"	50	14	25	2,279
KHB2 N 1" 1/4 R	350 Bar	25	65	29	120	66	14	83,5	55	180	116	24	N 1"1/4	55	14	25	2,351
KHB2 N 1" 1/2 R	350 Bar	25	65	29	124	66	14	83,5	55	180	116	24	N 1"1/2	60	14	25	2,482
KHB2 N 1" 1/4	350 Bar	85	85	37	110	83	17	103	75	305	145	13	G 1"1/4	65	17	32	4,140
KHB2 N 1" 1/2	350 Bar	96	95	42	130	91	17	114	85	305	155	19	G 1"1/2	70	17	38	5,540
KHB2 N 2"	350 Bar	112	113	52	140	100	17	131	110	305	173	19	G 2"	85	17	50	8,580

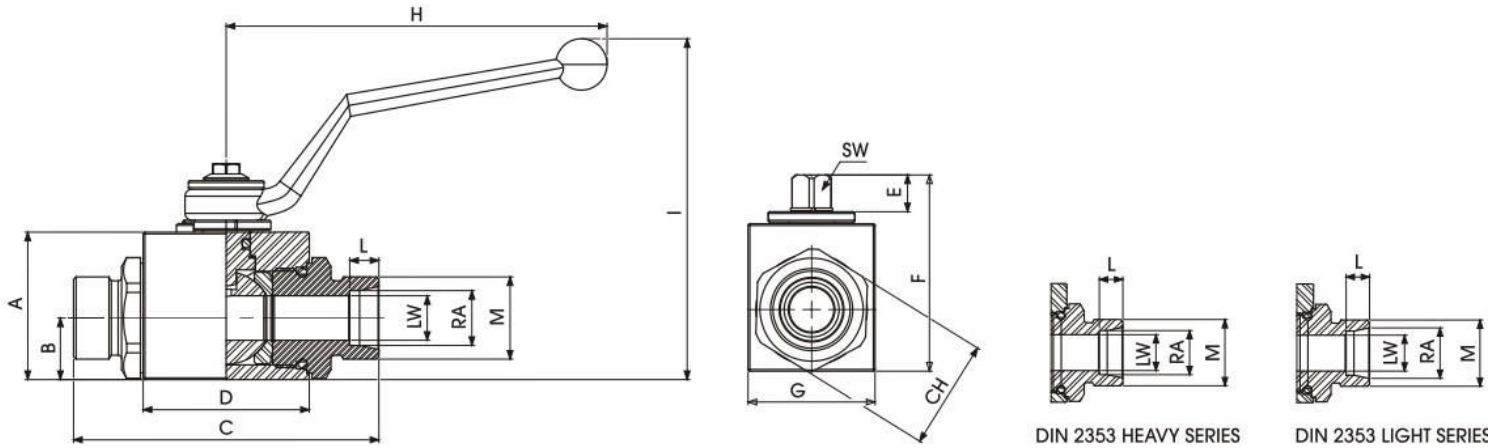
KHB2 SAE J1926-1

Standard

TYPE	PN	DN	A	B	C	D	E	F	G	H	I	L	M	CH	SW	LW	WEIGHT Kg
KHB2 SAE4	500 Bar	6	35	14	71	42	11	49	30	110	91	15,5	7/16 UNF	24	9	6	0,504
KHB2 SAE6	500 Bar	10	40	17	73	44	11	54,25	35	110	96	16	9/16 UNF	30	9	10	0,663
KHB2 SAE8	500 Bar	13	43	18	83	48	11	57	37	110	99	17,5	3/4 UNF	32	9	13	0,779
KHB2 SAE12	400 Bar	20	55	23	95	62	14	73,5	45	180	106	23	1"1/16 UN	41	14	20	1,441
KHB2 SAE16	350 Bar	25	65	29	112	66	14	83,5	55	180	116	23	1"5/16 UN	50	14	25	2,335
KHB2 SAE20R	350 Bar	25	65	29	120	66	14	83,5	55	180	116	23	1"5/8 UN	55	14	25	2,307
KHB2 SAE24R	350 Bar	25	65	29	124	66	14	83,5	55	180	116	23	1"7/8 UN	60	14	25	2,399
KHB2 SAE 1" 1/4	350 Bar	85	85	37	110	83	17	103	75	305	145	13	G 1"1/4	65	17	32	4,140
KHB2 SAE 1" 1/2	350 Bar	96	95	42	130	91	17	114	85	305	155	19	G 1"1/2	70	17	38	5,540
KHB2 SAE 2"	350 Bar	112	113	52	140	100	17	131	110	305	173	19	G 2"	85	17	50	8,580

ATAUFF HYDRAULIC STORE

Light & Heavy Series



KHB2 DIN 2353 LIGHT SERIES

Standard

Type	PN	DN	A	B	C	D	E	F	G	H	I	L	M	CH	LW	SW	RA	WEIGHT Kg
KHB2 6L	500 Bar	6	35	14	76	42	11	49	30	110	91	7	12X1.5	24	6	9	6	0,475
KHB2 8L	500 Bar	6	35	14	76	42	11	49	30	110	91	7	14X1.5	24	6	9	8	0,477
KHB2 10L	500 Bar	10	40	17	76	44	11	54	35	110	96	7	16X1.5	30	10	9	10	0,597
KHB2 12L	500 Bar	10	40	17	79	44	11	54	35	110	96	7	18X1.5	30	10	9	12	0,616
KHB2 15L	500 Bar	13	43	18	87	48	11	57	37	110	99	7	22X1.5	32	13	9	15	0,731
KHB2 18L	500 Bar	13	43	18	87	48	11	57	37	110	99	7,5	26X1.5	32	13	9	18	0,748
KHB2 22L	400 Bar	20	55	23	110	62	14	73	45	180	106	7,5	30X2	41	20	14	22	1,463
KHB2 28L	350 Bar	25	65	29	117	66	14	83	55	180	116	7,5	36X2	50	25	14	28	2,131
KHB2 35L	350 Bar	25	65	29	119	66	14	83	55	180	116	10,5	45X2	50	25	14	35	2,163
KHB2 42L	350 Bar	25	65	29	119	66	14	83	55	180	116	11	52X2	55	25	14	42	2,256

KHB2 DIN 2353 HEAVY SERIES

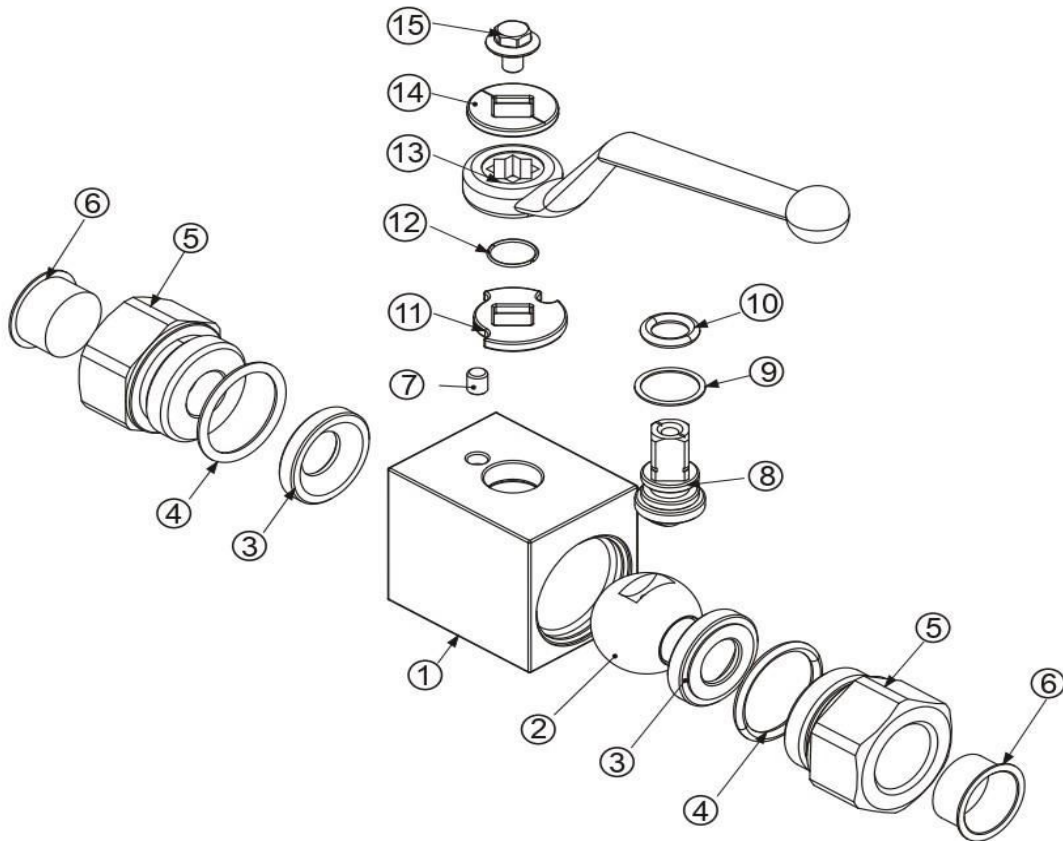
Standard

Type	PN	DN	A	B	C	D	E	F	G	H	I	L	M	CH	LW	SW	RA	WEIGHT Kg
KHB2 8S	500 Bar	4	35	14	76	42	11	49	30	110	91	7	16X1,5	24	4	9	8	0,501
KHB2 10S	500 Bar	6	35	14	76	42	11	49	30	110	91	7,5	18X1,5	24	6	9	10	0,501
KHB2 12S	500 Bar	10	40	17	76	44	11	54	35	110	96	7,5	20X1,5	30	10	9	12	0,599
KHB2 14S	500 Bar	10	40	17	82	44	11	54	35	110	96	8	22X1,5	30	10	9	14	0,629
KHB2 16S	500 Bar	13	43	18	89	48	11	57	37	110	99	8,5	24X1,5	32	13	9	16	0,67
KHB2 20S	500 Bar	13	43	18	93	48	11	57	37	110	99	10,5	30X2	32	13	9	20	0,786
KHB2 25S	400 Bar	20	55	23	111	62	14	73	45	180	106	12	36X2	41	20	14	25	1,485
KHB2 30S	350 Bar	25	65	29	121	66	14	83	55	180	116	13	42X2	50	25	14	30	2,145
KHB2 38S	350 Bar	25	65	29	131	66	14	83	55	180	116	16	52X2	55	25	14	38	2,373

ATAUFF HYDRAULIC STORE

Ball Valves

KHB2 2-WAY HIGH PRESSURE BALL VALVES



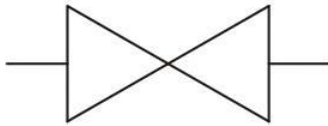
On request

- Reduced bore
- O-Ring in EPDM, FFKM, MQV
- Seals in PEEK, PA 612, RPTFE, GEMPTFE
- Special Threads
- Stem in stainless steel 1,4404
- Ball in stainless steel 1,4404
- Pressure Class PN 100 to PN 500
- Pneumatic and electrical actuator
- Security block
- Locking device

Pos	Description	Material	Q.tà
1	Body	1,0737	1
2	Ball	1,0737	1
3	Ball seat	POM	2
4	Adapter o-ring	NBR	2
5	Adapter	1,0737	2
6	Caps	PVC	2
7	Spine	1,0737	1
8	Stem	1,0737	1
9	Stem ring	POM	1
10	Stem o-ring	NBR	1
11	Washer	1,0116	1
12	Seeger	1,4301	1
13	Handle	ZINC	1
14	Washer	1,0116	1
15	Screw	Din 6921 8.8	1

ATAUFF HYDRAULIC STORE

**2-Way
Carbon Steel**



High Pressure Ball Valves With Split Flange Connection KHB2SF

KHB A3 DN13 2 2 2 2 B A

Type and way of valve
KHB2SF 2-way high pressure ball valves

Valves dimension of pressure (psi)
S3 S6
S3000 S6000

Nominal dimension
DN13
DN20
DN25

Body material
1 1,0737

Adapter material
1 1,0737

Stem material
1 1,0737

Ball material
1 1,0737

Ball seat material
A POM
D PEEK
G PA612
K GEMPTFE
C PTFE

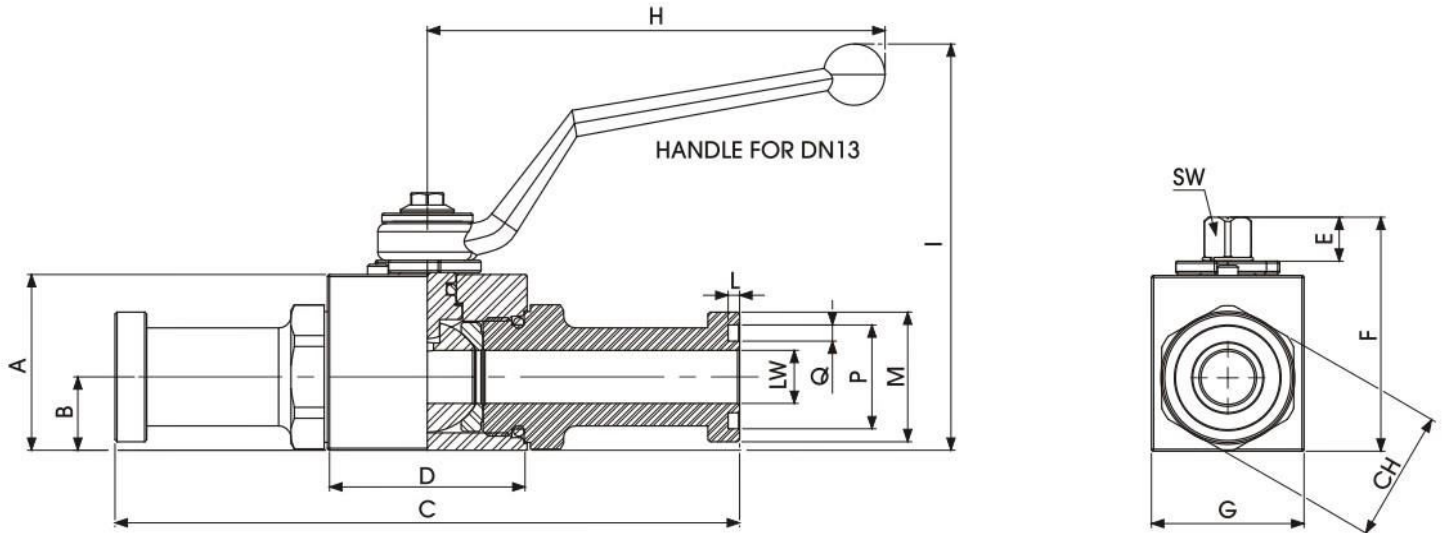
Adapter and stem seal material
B NBR
E FKM
F EPDM
L MVQ

Specifications

- Type: ball valve KHB2SF 2way
- Body: block
- Material: 1,0737
- Ball seats: from DN13 up to DN25
- O-Rings: NBR, FKM, EPDM, MVQ
- Operating pressure: S3000 (PN210) S6000 (PN420) depending on valve size and seal materials selected
- Temp. range: -10°C to +100°C depending on seal material selected

ATAUFF HYDRAULIC STORE

Standard



KHB2SF SAE J518 S3000

Standard

TYPE	PN	DN	A	B	C	D	E	F	G	H	I	L	M	CH	P	Q	SW	LW	WEIGHT Kg
KHB2SF	400 Bar	13	43	18	151	48,4	11	57	37	110	99	2,79	30,2	32	25,4	3,94	9	13	0,96
KHB2SF	400 Bar	20	55	23	162	62,5	14	73,5	45	180	106	2,79	38,1	41	31,75	3,94	14	20	0,717
KHB2SF	400 Bar	25	65	29,5	178	66,5	14	83,5	55	180	116	2,79	44,4	50	39,2	3,94	14	25	2,597

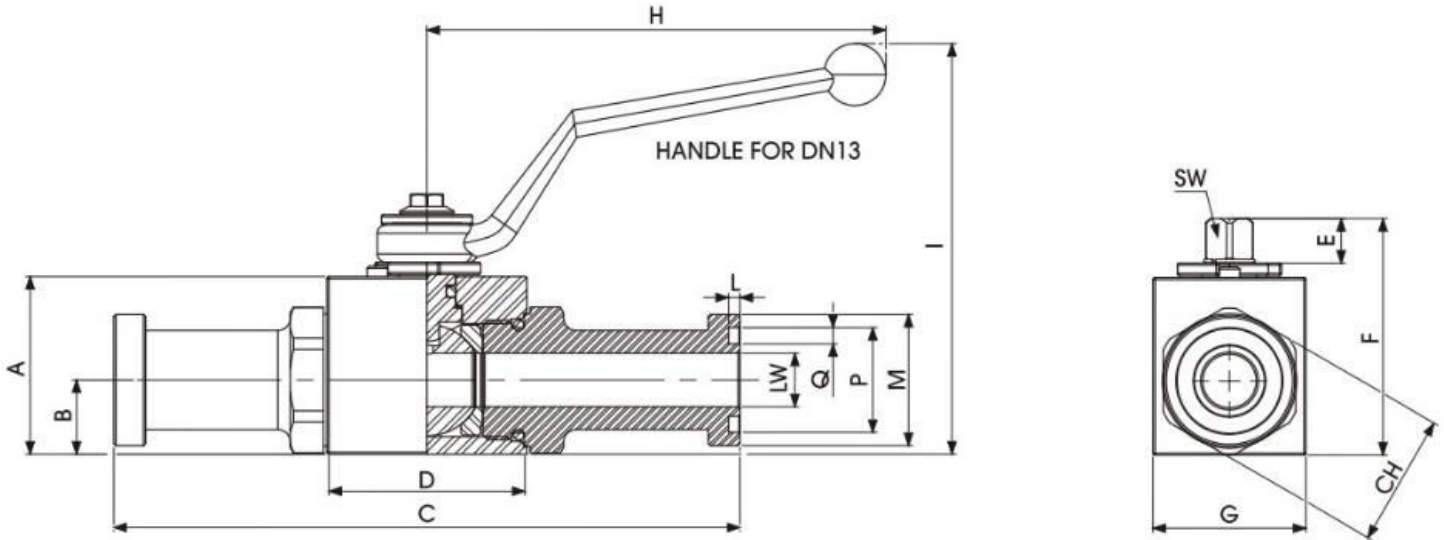
KHB2SF SAE J518 S3000

Standard

TYPE	PN	DN	A	B	C	D	E	F	ØG	H	I	L	M	N	CH	P	Q	SW	LW	WEIGHT Kg
KHBA3	350 Bar	32	93	46	190,5	75	13,5	111,5	98	300	120,5	2,79	50,8	88	60	44,45	3,94	17	32	5,429
KHBA3	350 Bar	40	107	53	230,5	85	13,5	125,5	113	300	134,5	2,79	60,26	102	75	53,67	3,94	17	40	8,265
KHBA3	350 Bar	50	114	57	232	98	13,5	132,5	123	300	141,5	2,79	71,4	118	85	63,25	3,94	17	50	9,865

ATAUFF HYDRAULIC STORE

Ball Valves



KHB2SF SAE J518 S6000

Standard

TYPE	PN	DN	A	B	C	D	E	F	G	H	I	L	M	CH	P	Q	SW	LW	WEIGHT Kg
KHBA6	500 Bar	13	43	18	151,5	48,4	11	57	37	110	99,5	2,79	31,6	32	25,4	3,94	9	13	0,956
KHBA6	500 Bar	20	55	23,4	174	62,5	14	73,5	45	180	106,5	2,79	41,3	41	31,75	3,94	14	20	1,792
KHBA6	500 Bar	25	65	29,5	198	66,5	14	83,5	55	180	116,5	2,79	47,8	50	39,2	3,94	14	25	2,759

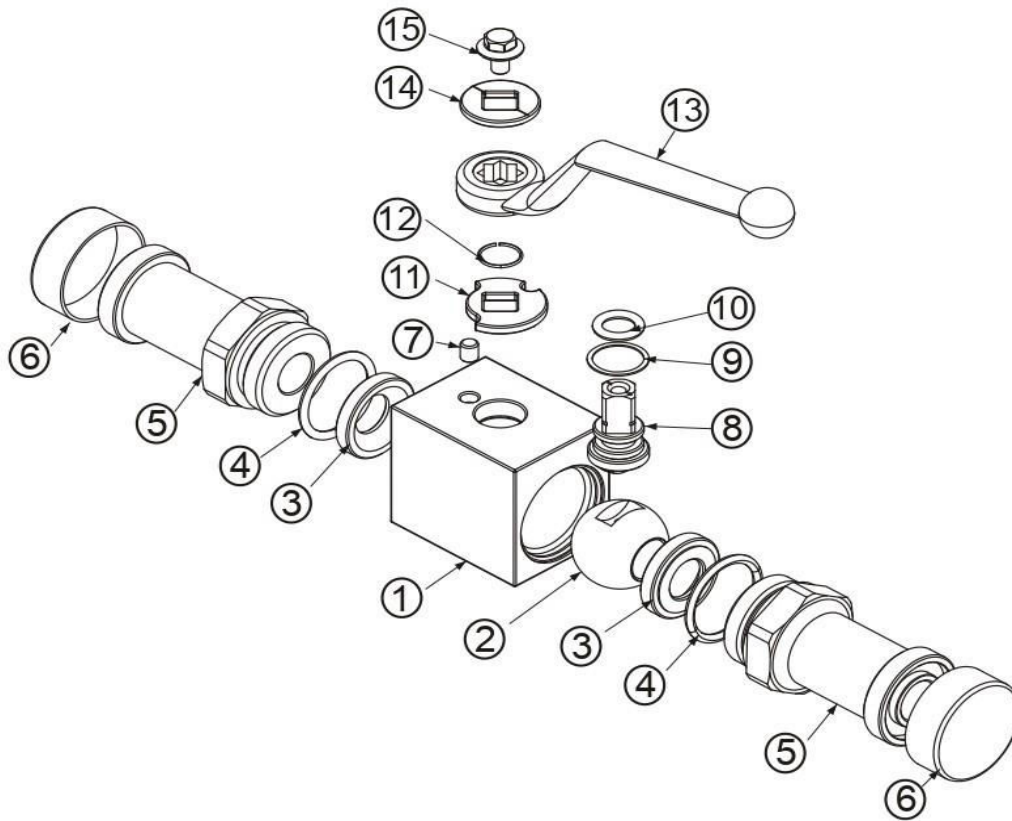
KHB2SF SAE J518 S6000

Standard

TYPE	PN	DN	A	B	C	D	E	F	ØG	H	I	L	M	N	CH	P	Q	SW	LW	WEIGHT Kg
KHBA6	400 Bar	32	93	46,5	223	75	13,5	111,5	98	300	120,5	2,79	54	88	60	44,45	3,94	17	32	5,828
KHBA6	400 Bar	40	107	53,5	281	85	13,5	125,5	113	300	134,5	2,79	63,46	102	75	53,67	3,94	17	40	8,251
KHBA6	400 Bar	50	114	57	316	98	13,5	132,5	123	300	141,5	2,79	79,4	118	85	63,25	3,94	17	50	11,774

ATAUFF HYDRAULIC STORE

KHB2SF 2-WAY HIGH PRESSURE BALL VALVES



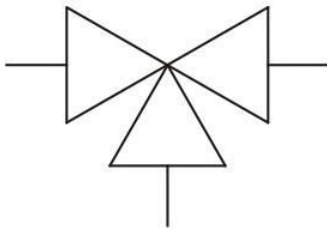
On request

- Reduced bore
- O-Ring in EPDM, FFKM, MQV
- Seals in PEEK, PA 612, RPTFE, GEMPTFE
- Special Threads
- Stem in stainless steel 1,4404
- Ball in stainless steel 1,4404
- Pressure Class PN 100 to PN 420
- Pneumatic and electrical actuator
- Locking device

Pos	Description	Material	Q.tà
1	Body	1,0737	1
2	Ball	1,0737	1
3	Ball Seat	POM	2
4	Adapter o-ring	NBR	2
5	Adapter	1,0737	2
6	Caps	PVC	2
7	Spine	1,0737	1
8	Stem	1,0737	1
9	Stem ring	POM	1
10	Stem-o-ring	NBR	1
11	Washer	1,0116	1
12	Seeger	1,4301	1
13	Handle	ZINC	1
14	Washer	1,0116	1
15	Screw	Din 6921 8.8	1

ATAUFF HYDRAULIC STORE

3-Way Carbon Steel



PN up to 500 bar
DN up to 25



Specifications

- Type: ball valve KHB 3way
- Body: block
- Material: 1,0737
- Ball seats: from DN4 up to DN25
- O-Rings: NBR, FKM, EPDM, MVQ
- Operating pressure: 400 Bar depending on valve size and seal materials selected
- Temp. range: -10°C to +100°C depending on seal material selected

High Pressure Ball Valves KH3

KH3 G¹/₂ DN13 2 2 2 2 B A

Type and way of valve _____
KHB3 3-way high pressure ball valves

Valves dimension of inch _____

GAS	ANSI/ASME	SAE
DIN/ISO 228	B1.20.1 NPT	J1926-1
G 1/8	N 1/8	SAE4
G 1/4	N 1/4	SAE6
G 3/8	N 3/8	SAE8
G 1/2	N 1/2	SAE12
G 3/4	N 3/4	SAE16
G 1"	N 1"	SAE20R
G 1" 1/4R	N 1" 1/4R	SAE24R
G 1" 1/2R	N 1" 1/2R	

DIN 2353 HEAVY SERIES	DIN 2353 LIGHT SERIES
8S	6L
10S	8L
12S	10L
14S	12L
16S	15L
20S	18L
25S	22L
30S	28L
38S	35L
	42L

Nominal dimension _____

DN4
DN6
DN10
DN13
DN20
DN25

Body material _____

1 1,0737

Adapter material _____

1 1,0737

Stem material _____

1 1,0737

Ball material _____

1 1,0737

Ball seat material _____

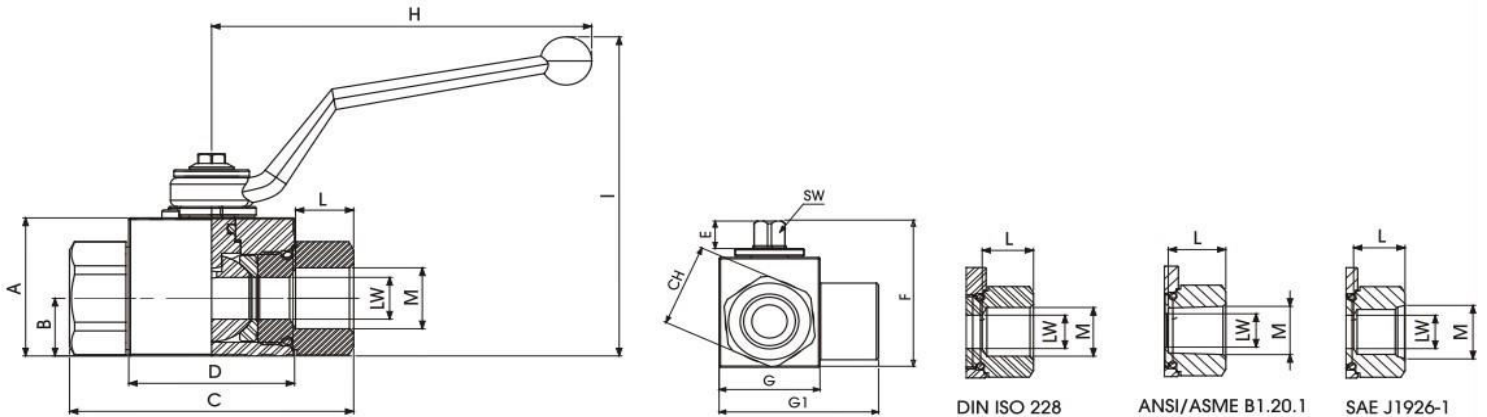
A POM
D PEEK
G PA612
K GEMPTFE
C PTFE

Adapter and stem seal material _____

B NBR
E FKM
F EPDM
L MVQ

ATAUFF HYDRAULIC STORE

Standard



KH3 DIN ISO 228 BSP

Standard

TYPE	PN	DN	A	B	C	D	E	F	G	G1	H	I	L	M	CH	SW	LW	WEIGHT Kg
KH3 G 1/8	400 Bar	4	35	14	71	42	11	49	30	48	110	91	11	G 1/8	24	9	4	0,558
KH3 G 1/4	400 Bar	6	35	14	71	42	11	49	30	48	110	91	15,5	G 1/4	24	9	6	0,536
KH3 G 3/8	400 Bar	10	40	17	73	44	11	54	35	54	110	96	15,5	G 3/8	30	9	10	0,695
KH3 G 1/2	350 Bar	13	43	18	83	48	11	57	37	58	110	99	17	G 1/2	32	9	13	0,825
KH3 G 3/4	350 Bar	20	55	23	95	62	14	73	45	75	180	106	21	G 3/4	41	14	20	1,583
KH3 G 1"	350 Bar	25	65	29	112	66	14	83	55	87	180	116	24	G 1"	50	14	25	2,421
KH3 G 1" 1/4 R	350 Bar	25	65	29	120	66	14	83	55	87	180	116	24	G 1"1/4	55	14	25	2,601
KH3 G 1" 1/2 R	350 Bar	25	65	29	124	66	14	83	55	87	180	116	24	G 1"1/2	60	14	25	2,756

KH3 ANSI/ASME B1.20.1 NPT

Standard

TYPE	PN	DN	A	B	C	D	E	F	G	G1	H	I	L	M	CH	SW	LW	WEIGHT Kg
KH3 N 1/8	400 Bar	4	35	14	71	42	11	49	30	48	110	91	11	N 1/8	24	9	4	0,558
KH3 N 1/4	400 Bar	6	35	14	71	42	11	49	30	48	110	91	17	N 1/4	24	9	6	0,536
KH3 N 3/8	400 Bar	10	40	17	73	44	11	54	35	5	110	96	17	N 3/8	30	9	10	0,695
KH3 N 1/2	350 Bar	13	43	18	83	48	11	57	37	58	110	99	21	N 1/2	32	9	13	0,825
KH3 N 3/4	350 Bar	20	55	23	95	62	14	73	45	75	180	106	21	N 3/4	41	14	20	1,583
KH3 N 1"	350 Bar	25	65	29	112	66	14	83	55	87	180	116	24	N 1"	50	14	25	2,421
KH3 N 1" 1/4 R	350 Bar	25	65	29	120	66	14	83	55	87	180	116	24	N 1"1/4	55	14	25	2,601
KH3 G 1" 1/2 R	350 Bar	25	65	29	124	66	14	83	55	87	180	116	24	N 1"1/2	60	14	25	2,756

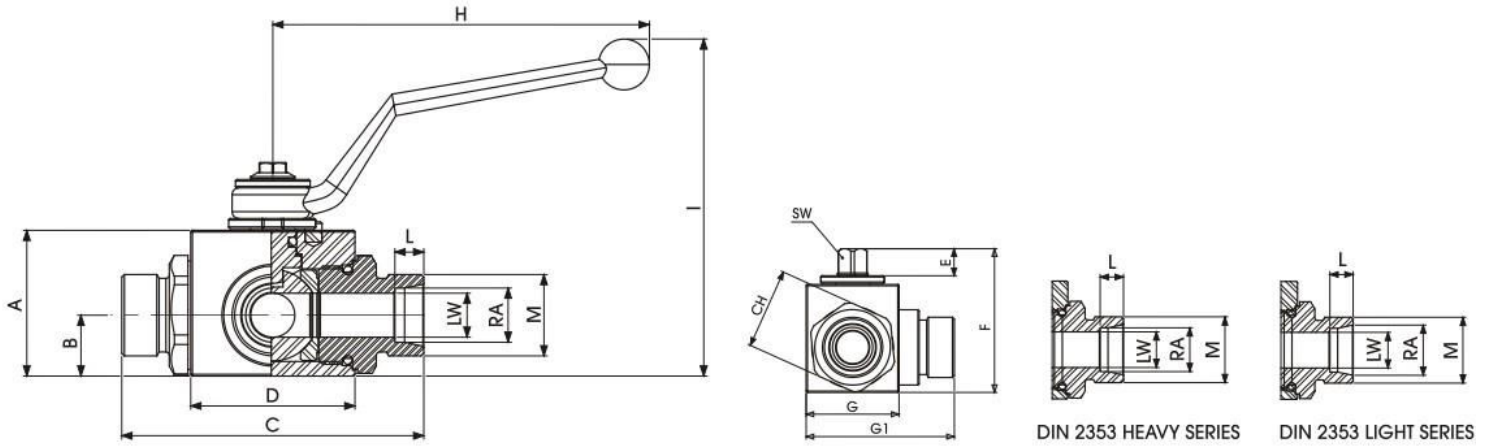
KH3 SAE J1926-1

Standard

TYPE	PN	DN	A	B	C	D	E	F	G	G1	H	I	L	M	CH	SW	LW	WEIGHT Kg
KH3 SAE4	400 Bar	6	35	14	71	42	11	49	30	48	110	91	15,5	7/16 UNF	24	9	6	0,536
KH3 SAE6	400 Bar	10	40	17	73	44	11	54	35	54	110	96	16	9/16 UNF	30	9	10	0,695
KH3 SAE8	350 Bar	13	43	18	83	48	11	57	37	58	110	99	17,5	3/4 UNF	32	9	13	0,825
KH3 SAE12	350 Bar	20	55	23	95	62	14	73	45	75	180	106	23	1"1/16 UN	41	14	20	1,583
KH3 SAE16	350 Bar	25	65	29	112	66	14	83	55	87	180	116	23	1"5/16 UN	50	14	25	2,421
KH3 SAE20R	350 Bar	25	65	29	120	66	14	83	55	87	180	116	23	1"5/8 UN	55	14	25	2,601
KH3 SAE20R	350 Bar	25	65	29	124	66	14	83	55	87	180	116	23	1"7/8 UN	60	14	25	2,756

ATAUFF HYDRAULIC STORE

Light & Heavy Series



KH3 DIN 2353 LIGHT SERIES Standard

Type	PN	DN	A	B	C	D	E	F	G	G1	H	I	L	M	CH	LW	SW	RA	WEIGHT Kg
Kh3 6L	400 Bar	6	35	14	76	42	11	49	30	48	110	91	7	12X1.5	24	6	9	6	0,53
Kh3 8L	400 Bar	6	35	14	76	42	11	49	30	48	110	91	7	14X1.5	24	6	9	8	0,532
Kh3 10L	400 Bar	10	40	17	76	44	11	54	35	54	110	96	7	16X1.5	30	10	9	10	0,633
Kh3 12L	400 Bar	10	40	17	79	44	11	54	35	54	110	96	7	18X1.5	30	10	9	12	0,665
Kh3 15L	350 Bar	13	43	18	87	48	11	57	37	59	110	99	7	22X1.5	32	13	9	15	0,722
Kh3 18L	350 Bar	13	43	18	87	48	11	57	37	59	110	99	7,5	26X1.5	32	13	9	18	0,861
Kh3 22L	350 Bar	20	55	23	110	62	14	73	45	75	180	106	7,5	30X2	41	20	14	22	1,639
Kh3 28L	350 Bar	25	65	29	117	66	14	83	55	87	180	116	7,5	36X2	50	25	14	28	2,361
Kh3 35L	350 Bar	25	65	29	119	66	14	83	55	87	180	116	10,5	45X2	50	25	14	35	2,361
Kh3 42L	350 Bar	25	65	29	119	66	14	83	55	87	180	116	11	52X2	55	25	14	42	2,456

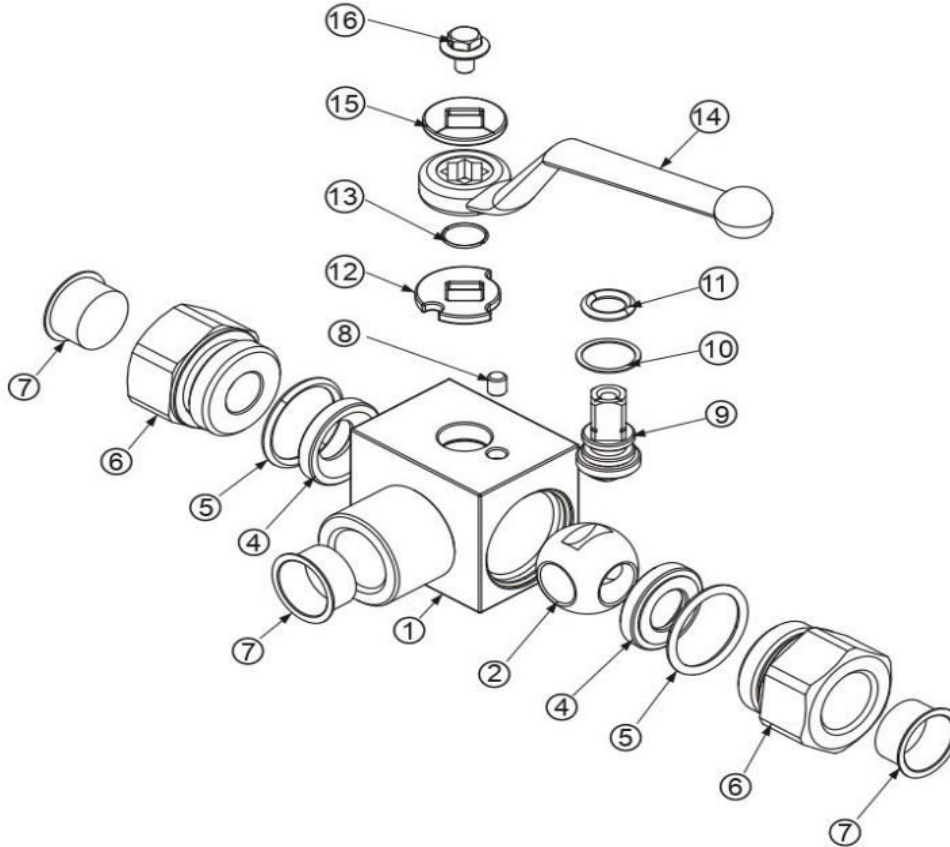
KH3 DIN 2353 HEAVY SERIES Standard

Type	PN	DN	A	B	C	D	E	F	G	G1	H	I	L	M	CH	LW	SW	RA	WEIGHT Kg
Kh3 8S	400 Bar	4	35	14	76	42	11	49	30	48	110	91	7	16X1,5	24	4	9	8	0,53
Kh3 10S	400 Bar	6	35	14	76	42	11	49	30	48	110	91	7,5	18X1,5	24	6	9	10	0,532
Kh3 12S	400 Bar	10	40	17	76	44	11	54	35	54	110	96	7,5	20X1,5	30	10	9	12	0,633
Kh3 14S	400 Bar	10	40	17	82	44	11	54	35	54	110	96	8	22X1,5	30	10	9	14	0,665
Kh3 16S	350Bar	13	43	18	89	48	11	57	37	59	110	99	8,5	24X1,5	32	13	9	16	0,722
Kh3 20S	350Bar	13	43	18	93	48	11	57	37	59	110	99	10,5	30X2	32	13	9	20	0,861
Kh3 25S	350Bar	20	55	23	111	62	14	73	45	75	180	106	12	36X2	41	20	14	25	1,639
Kh3 30S	350Bar	25	65	29	121	66	14	83	55	87	180	116	13	42X2	50	25	14	30	2,361
Kh3 38S	350Bar	25	65	29	131	66	14	83	55	87	180	116	16	52X2	55	25	14	38	2,655

ATAUFF HYDRAULIC STORE

Ball Valves

KH3 3-WAY HIGH PRESSURE BALL VALVES



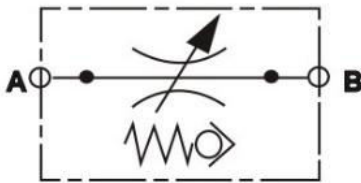
On request

- Reduced bore
- O-Ring in EPDM, FFKM, MQV
- Seals in PEEK, PA 612, RPTFE, GEMPTFE
- Special Threads
- Stem in stainless steel 1,4404
- Ball in stainless steel 1,4404
- Pressure Class PN 100 to PN 400
- Pneumatic and electrical actuator
- Security block
- Locking device

Pos	Description	Material	Q.tà
1	Body	1,0737	1
2	Ball	1,0737	1
3	Ball seat	POM	2
4	Adapter o-ring	NBR	2
5	Adapter	1,0737	2
6	Caps	PVC	3
7	Spine	1,0737	1
8	Stem	1,0737	1
9	Stem ring	POM	1
10	Stem o-ring	NBR	1
11	Washer	1,0116	1
12	Seeger	1,4301	1
13	Handle	ZINC	1
14	Washer	1,0116	1
15	Screw	Din 6921 8.8	1

ATAUFF **HYDRAULIC STORE**

Carbon Steel



up to 350 bar
up to 300 l/min

Flow Control Valves
and Flow Control
Valves with reverse
flow check

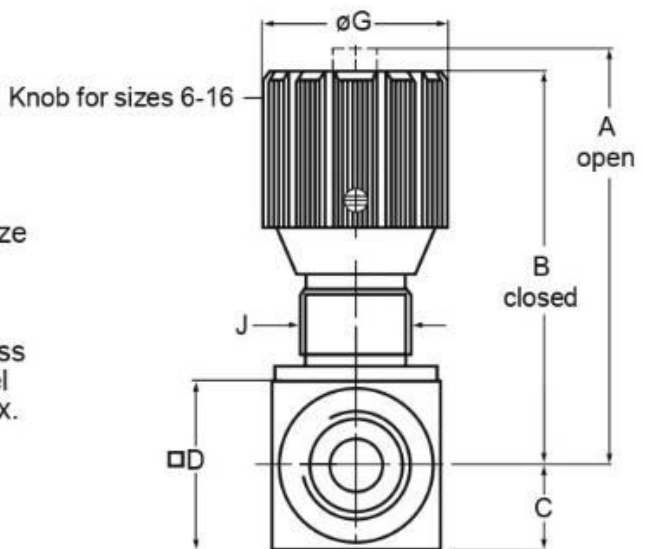
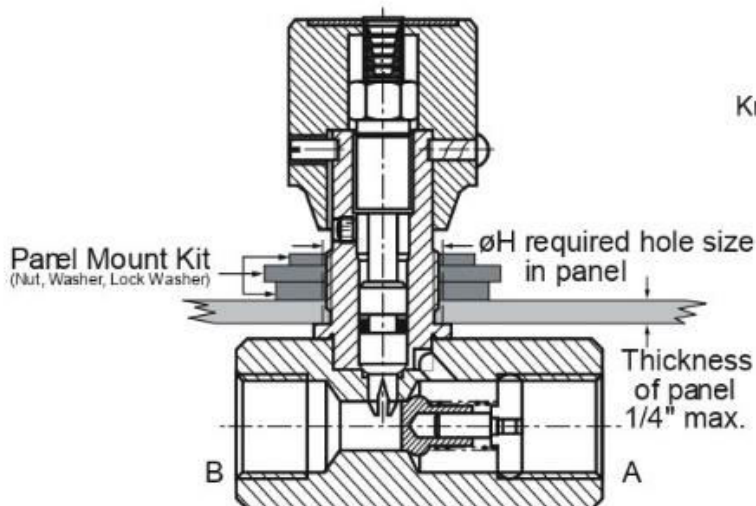
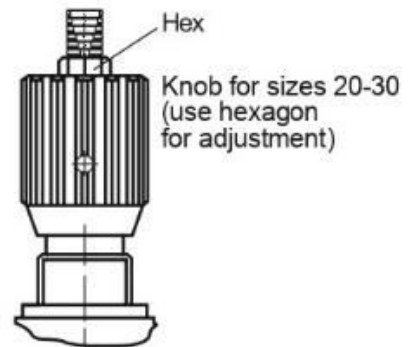
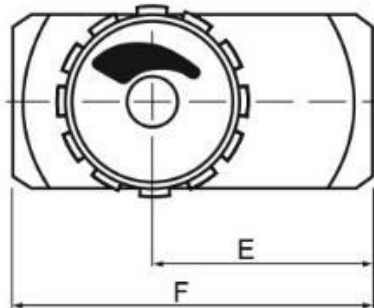
DRV 06 to 40



ATAUFF HYDRAULIC STORE

Flow Control Valves

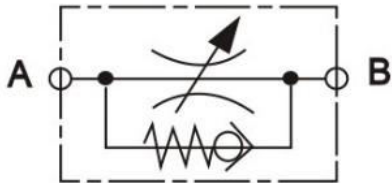
Dimensions DRV Series



Model Code	Port Size NPTF	A	B	C	D	E	F	ϕG	ϕH	Hex	Weight
DRV-06	1/8"	55	50	8	16	26	45	24	13	12	0.13
DRV-08	1/4"	72	65	12	25	33.5	55	29	19	12	0.30
DRV-10	3/8"	74	67	15	30	41	65	29	19	12	0.45
DRV-12	1/2"	92	82	17	35	44	73	38	23	12	0.80
DRV-16	3/4"	106	96	22	45	57	88	38	23	12	1.30
DRV-20	1"	145	128	25	50	77	127	49	38	19	2.40
DRV-25	1-1/4"	150	133	30	60	93	143	49	38	19	3.50
DRV-30	1-1/2"	155	138	35	70	108	143	49	38	19	4.60

ATAUFF HYDRAULIC STORE

Carbon Steel



up to 350 bar
up to 300 l/min

Flow Control Valves
and Flow Control
Valves with reverse
flow check

DV 06 to 40

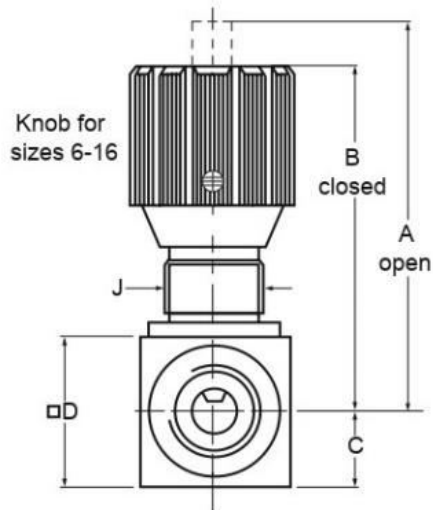
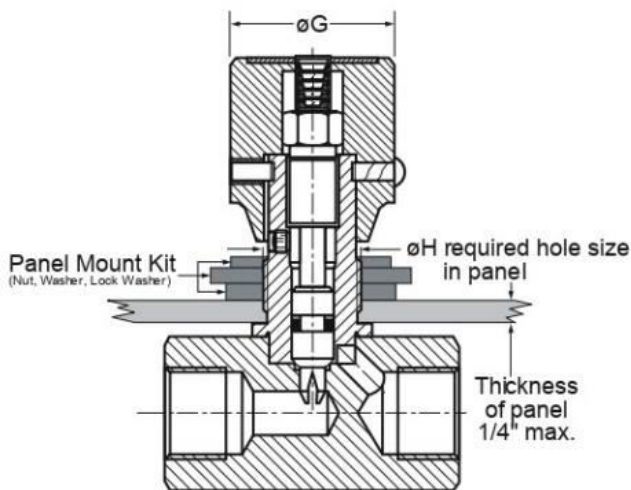
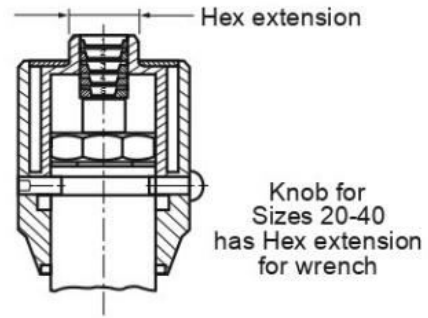
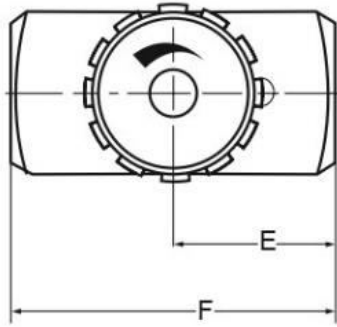


ATAUFF HYDRAULIC STORE

Flow Control Valves

Dimensions

DV Series Inline Needle Valve



Model Code	Port Size	A	B	C	D	E	F	ϕG	ϕH	Hex	Weight
DV-06	1/8"	55	50	8	16	19	38	24	13	12	0.12
DV-08	1/4"	72	65	12	25	24	48	29	19	12	0.25
DV-10	3/8"	74	67	15	30	29	58	29	19	12	0.40
DV-12	1/2"	92	82	17	35	34	68	38	23	12	0.70
DV-16	3/4"	105	96	22	45	39	78	38	23	12	1.2
DV-20	1"	145	128	25	50	54	108	49	38	19	2.1
DV-25	1-1/4"	150	133	30	60	54	108	49	38	19	2.8
DV-30	1-1/2"	155	138	35	70	54	108	49	38	19	3.5

ATAUFF HYDRAULIC STORE

2 Way
Carbon Steel



NEEDLE
VALVE



NEEDLE VALVES NV

NV G 1/2 DN13 S6000 A105/F6

Type and way of valve
NV needle valves

Valves dimension of pressure(psi)

GAS	ANSI/ASME
DIN/ISO 228	B1.20.1 NPT
G 1/4	N 1/4
G 3/8	N 3/8
G 1/2	N 1/2
G 3/4	N 3/4
G 1"	N 1"
G 1" 1/4	N 1" 1/4
G 1" 1/2	N 1" 1/2

Nominal dimension

DN6
DN10
DN13
DN20
DN25
DN32
DN40

Pressure

S3000 6000

Body/Stem material

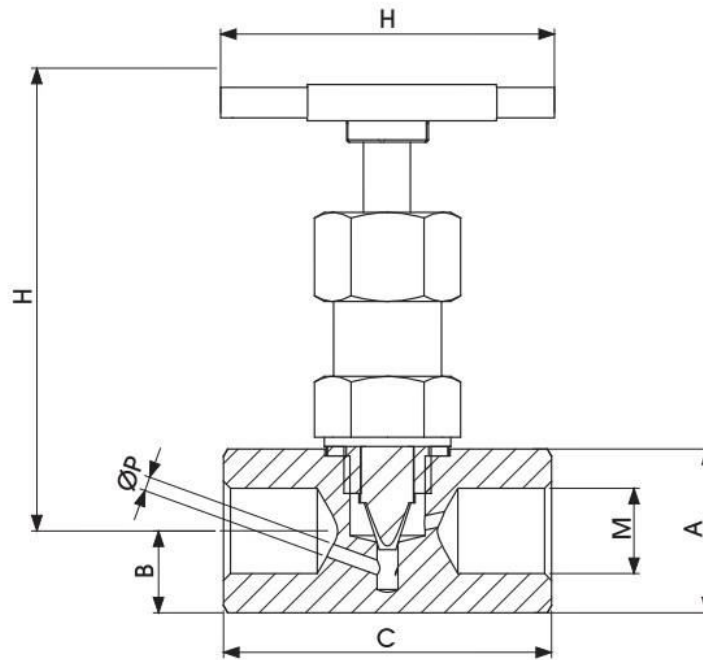
A105 1,0570
F6 1,0570

Specifications

- Type: needle valve NV
- Body: square
- Material: 1,0570/1,4301
- Ball seats: from DN6 up to DN40
- Operating pressure: S3000 (210 Bar)
S6000 (350 Bar) depending on valve size
and seal materials selected
- Temp. range: -20°C to +100°C depending
on seal material selected

ATAUFF HYDRAULIC STORE

Standard

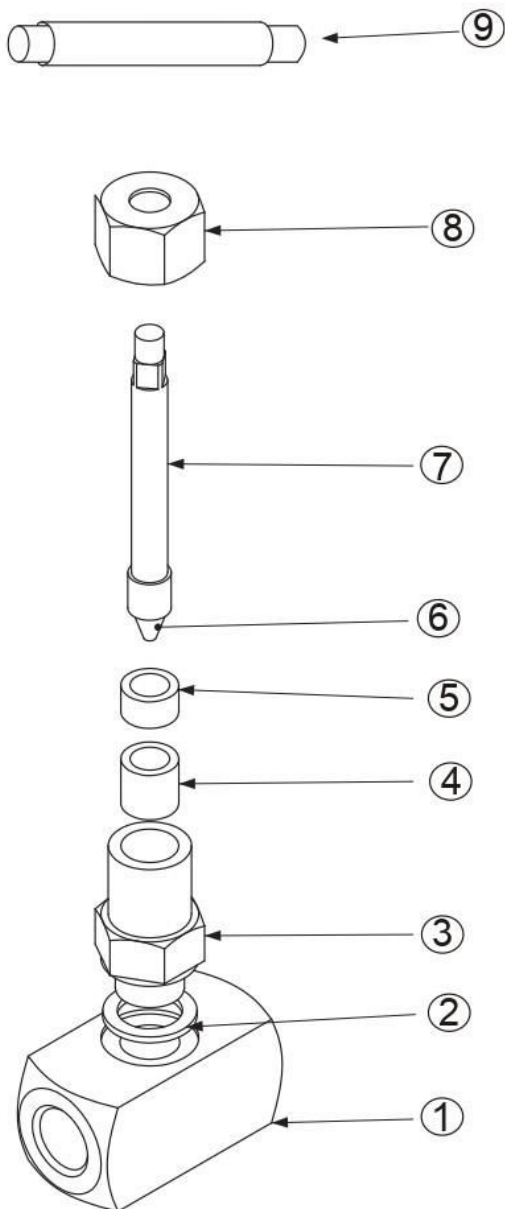


NV DIN ISO 228 6000 Standard

TYPE	PN	DN	A	B	C	H	I	M	ØP	Kg.
NV G 1/4	500 Bar	6	28	17,5	55	65	100	G 1/4	8	0.55
NV G 3/8	500 Bar	10	30	17,5	60	65	100	G 3/8	8	0.55
NV G 1/2	500 Bar	13	32	20	65	65	115	G 1/2	9	0.99
NV G 3/4	500 Bar	20	38	25	75	65	145	G 3/4	11	1.30
NV G 1"	500 Bar	25	45	30	85	75	150	G 1"	15	1.80
NV G 1" 1/4	500 Bar	32	50	35	90	75	160	G 1" 1/4	19	2.20
NV G 1" 1/2	500 Bar	40	55	40	90	75	170	G 1" 1/2	22	2.20

ATAUFF HYDRAULIC STORE

NEEDLE VALVES



Pos	Description	Material	Q.tà
1	Body	1,0570	1
2	Gasket	GLINGERITE	1
3	Boneet	1,0570	1
4	Gland	GRAPHITE	1
5	Gland Press	1,0503	1
6	Wedge	1,0503	1
7	Stem	1,0503	1
8	Packing nut	1,0570	1
9	Handle	1,0116	1

On request
• Special Threads

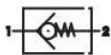
ATAUFF HYDRAULIC STORE

2 Way
Carbon Steel

INLINE HIGH PRESSURE CHECK VALVES CV



CHECK
VALVE



Type and way of valve
CV check valves

Valves dimension of inch

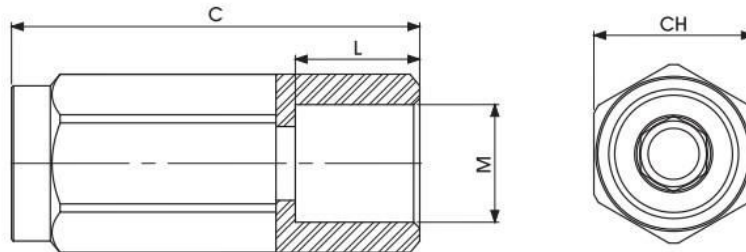
GAS DIN/ISO 228	ANSI/ASME B1.20.1 NPT
G 1/4	N 1/4
G 3/8	N 3/8
G 1/2	N 1/2
G 3/4	N 3/4
G 1" 1/4	N 1" 1/4
G 1" 1/2	N 1" 1/2
G 2"	N 2"

Material
Carbon steel
CS

Specifications

- Type: check valve CV
- Body: exagone
- Material: 1,0737/1,4749
- Ball seats: from 1/4 to 2"
- Operating pressure: PN500
- Temp. range: -10°C to +100°C depending on seal material selected

ATAUFF HYDRAULIC STORE

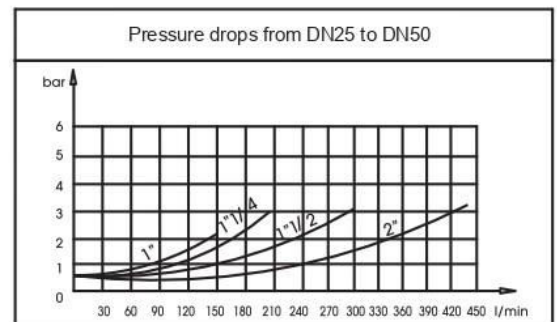
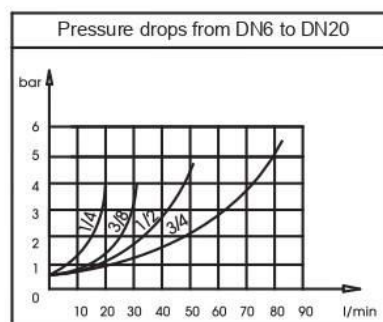
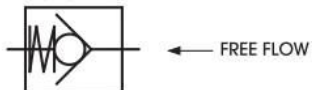


CV DIN ISO 228 BSP Standard

TYPE	PN	DN	MAX FLOW L/m	CRACKING PRESSURE	C	L	M	CH	Kg.
CV G 1/4	400 Bar	6	15	0.5/1 BAR	54	15	G 1/4	19	0,1
CV G 3/8	400 Bar	10	30	0.5/1 BAR	64	15	G 3/8	24	0,18
CV G 1/2	400 Bar	13	50	0.5/1 BAR	74	17	G 1/2	27	0,23
CV G 3/4	400 Bar	20	90	0.5/1 BAR	85	21	G 3/4	35	0,45
CV G 1"	400 Bar	25	150	0.5/1 BAR	109	24	G 1"	41	0,73
CV G 1" 1/4	350 Bar	32	200	0.5/1 BAR	122	24	G 1" 1/4	55	1,49
CV G 1" 1/2	350 Bar	40	300	0.5/1 BAR	137	24	G 1" 1/2	60	2
CV G 2"	350 Bar	50	430	0.5/1 BAR	159	27	G 2"	70	2,7

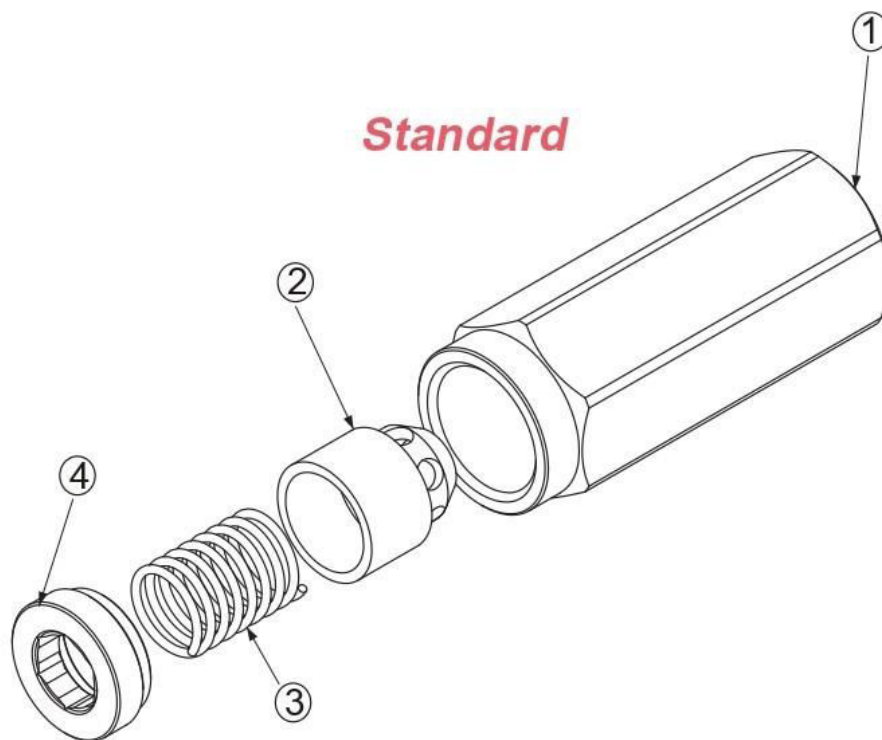
PRESSURE DROPS

HYDRAULIC DIAGRAM



ATAUFF **HYDRAULIC STORE**

INLINE HIGH PRESSURE CHECK VALVES



Pos	Description	Material	Q.tà
1	Body	1,0737	1
2	Poppet	1,4749	1
3	Spring	1,0116	1
4	ring	1,0737	1

On request

- Special Threads
- Pressure Class PN 500
- Spring closed: 1BAR - 3BAR - 5BAR - 8BAR

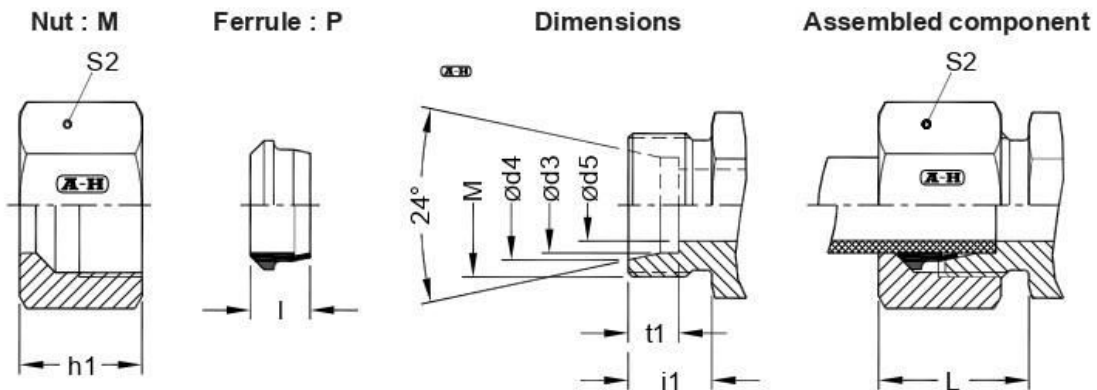
ATAUFF HYDRAULIC STORE: Shop No. – 01 Madhav Estate, GIDC Naroda, Ahmedabad 382330
Contact no: +91 99256 06950; Email Id : info@atauffhydraulic.com; sales@atauffhydraulic.com
Website : www.atauffhydraulic.com

ATAUFF HYDRAULIC STORE

Tube Connection Parts

Metric Tube end as per ISO 8434

All dimensions in millimeters.



Part No Nut	Part No Ferrule	Series	Tube od	DN Size	M	$\varnothing d3$	$\varnothing d4$	$\varnothing d5$	t1	i1	S2	h1	l	L
M04LL	P04LL	LL	4	3	M 8 x 1.0	4	5.0	3	4.0	8	10	11.5	7.0	14
M05LL	P05LL	Very Light	5	—	M 10 x 1.0	5	6.5	3.5	5.5	8	12	11.5	7.0	14
M06LL	P06LL	NP 100	6	4	M 10 x 1.0	6	7.5	4.5	5.5	8	12	12.0	7.0	14
M08LL	P08LL		8	6	M 12 x 1.0	8	9.5	6	5.5	9	14	12.5	7.0	15
M06L	P06L	L	6	4	M 12 x 1.5	6	8.1	4	7.0	10	14	14.5	10.0	18
M08L	P08L	Light	8	6	M 14 x 1.5	8	10.1	6	7.0	10	17	14.5	9.5	18
M10L	P10L	NP 250	10	8	M 16 x 1.5	10	12.3	8	7.0	11	19	15.5	10.0	20
M12L	P12L		12	10	M 18 x 1.5	12	14.3	10	7.0	11	22	15.5	9.5	19
M15L	P15L		15	12	M 22 x 1.5	15	17.3	12	7.0	12	27	17.0	10.0	21
M18L	P18L	NP 160	18	16	M 26 x 1.5	18	20.3	15	7.5	12	32	18.0	10.0	22
M22L	P22L		22	20	M 30 x 2.0	22	24.3	19	7.5	14	36	20.0	10.5	24
M28L	P28L	NP 100	28	25	M 36 x 2.0	28	30.3	24	7.5	14	41	21.0	11.0	25
M35L	P35L		35	32	M 45 x 2.0	35	38.0	30	10.5	16	50	24.0	13.0	28
M42L	P42L		42	40	M 52 x 2.0	42	45.0	36	11.0	16	60	24.0	13.0	28
M06S	P06S	S	6	3	M 14 x 1.5	6	8.1	4	7.0	12	17	16.5	10.0	20
M08S	P08S	Heavy	8	4	M 16 x 1.5	8	10.1	5	7.0	12	19	16.5	9.5	20
M10S	P10S	NP 630	10	6	M 18 x 1.5	10	12.3	7	7.5	12	22	17.5	10.0	22
M12S	P12S		12	8	M 20 x 1.5	12	14.3	8	7.5	12	24	17.5	9.5	21
M16S	P16S	NP 400	16	12	M 24 x 1.5	16	18.3	12	8.5	14	30	20.5	10.0	25
M20S	P20S		20	16	M 30 x 2.0	20	22.9	16	10.5	16	36	24.0	12.0	28
M25S	P25S		25	20	M 36 x 2.0	25	27.9	20	12.0	18	46	27.0	12.0	31
M30S	P30S	NP 250	30	25	M 42 x 2.0	30	33.0	25	13.5	20	50	29.0	13.0	35
M38S	P38S		38	32	M 52 x 2.0	38	41.0	32	16.0	22	60	32.5	13.0	38

ATAUFF HYDRAULIC STORE

Locknuts

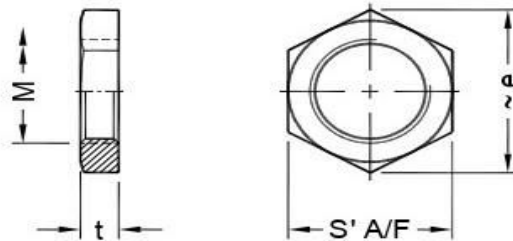
GM

Dimensions in mm

DIN Fittings

Locknuts for Bulkhead Couplings

As per ISO 8434-1



Part No.	M	t	S	~ e
GM12	M12 x 1.5	6	17	19.6
GM14	M14 x 1.5	6	19	21.9
GM16	M16 x 1.5	6	22	25.4
GM18	M18 x 1.5	6	24	27.7
GM20	M20 x 1.5	6	27	31.2
GM22	M22 x 1.5	7	30	34.6
GM24	M24 x 1.5	7	32	36.9
GM26	M26 x 1.5	8	36	41.6
GM30	M30 x 2.0	9	41	47.3
GM36	M36 x 2.0	9	46	53.1
GM42	M42 x 2.0	9	50	57.5
GM45	M45 x 2.0	9	55	63.5
GM52	M52 x 2.0	10	65	75.0

ATAUFF HYDRAULIC STORE

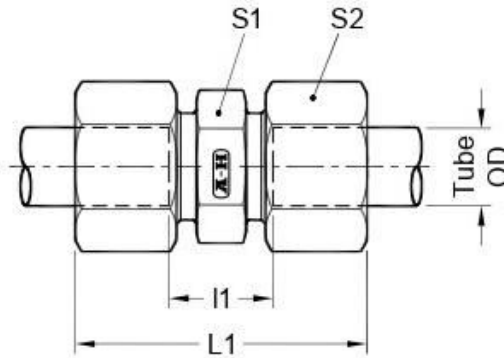
Straight Couplings

G

Dimensions in mm

DIN Fittings

Metric Tube end as per ISO 8434



*

Part No.	Series	Tube od	I 1	L1	S1	S2
G06PL	Light L 250 bar	6	10	41	12	14
G08PL		8	11	41	14	17
G10PL		10	13	44	17	19
G12PL		12	14	44	19	22
G15PL		15	16	48	24	27
G18PL	160 bar	18	16	50	27	32
G22PL		22	20	54	32	36
G28PL	100 bar	28	21	57	41	41
G35PL		35	20	66	46	50
G42PL		42	21	68	55	60
G06PS	Heavy S 630 bar	6	16	47	14	17
G08PS		8	18	48	17	19
G10PS		10	17	51	19	22
G12PS		12	19	52	22	24
G16PS	400 bar	16	21	59	27	30
G20PS		20	23	68	32	36
G25PS		25	26	76	41	46
G30PS	250 bar	30	27	83	46	50
G38PS		38	29	92	55	60

ATAUFF HYDRAULIC STORE

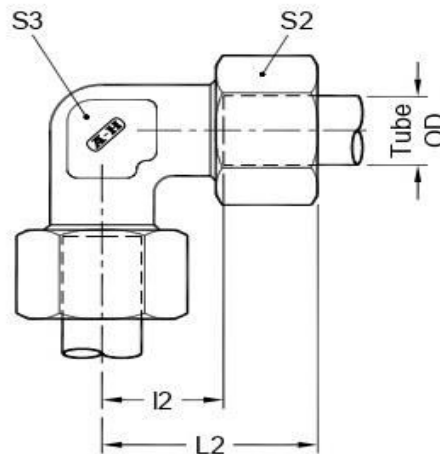
Equal Elbow Couplings

W

Dimensions in mm

DIN Fittings

Metric Tube end as per ISO 8434



*

Part No.	Series	Tube od	l 2	L2	S2	S3
W06PL	Light L 250 bar	6	12.0	27.5	14	12
W08PL		8	14.0	29.0	17	12
W10PL		10	15.0	30.5	19	14
W12PL		12	17.0	32.0	22	17
W15PL		15	21.0	37.0	27	22
W18PL	160 bar	18	23.5	40.5	32	24
W22PL		22	27.5	44.5	36	27
W28PL	100 bar	28	30.5	48.5	41	36
W35PL		35	34.5	57.5	50	41
W42PL		42	40.0	63.5	60	50
W06PS		Heavy S 630 bar	6	16.0	31.5	17
W08PS	8		17.0	32.0	19	14
W10PS	10		17.5	34.5	22	17
W12PS	12		21.5	38.0	24	19
W16PS	400 bar		16	24.5	43.5	30
W20PS		20	26.5	49.0	36	27
W25PS		25	30.0	55.0	46	36
W30PS	250 bar	30	35.5	63.5	50	41
W38PS		38	41.0	72.5	60	50

ATAUFF HYDRAULIC STORE

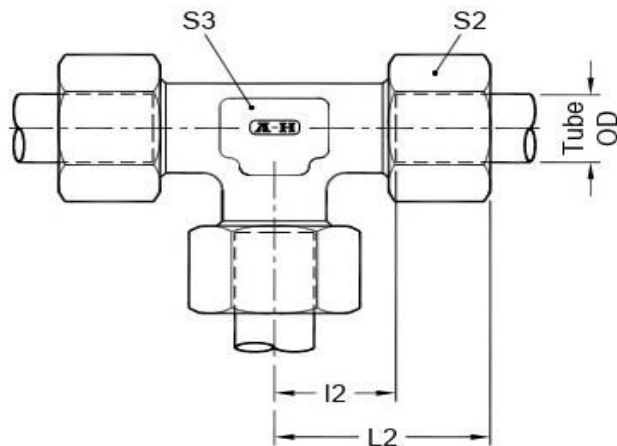
Equal Tee Couplings

T

Dimensions

DIN Fittings

Metric Tube end as per ISO 8434



*

Part No.	Series	Tube od	l2	L2	S2	S3
T06PL	Light L 250 bar	6	12.0	27.5	14	12
T08PL		8	14.0	29.0	17	12
T10PL		10	15.0	30.5	19	14
T12PL		12	17.0	32.0	22	17
T15PL		15	21.0	37.0	27	22
T18PL	160 bar	18	23.5	40.5	32	24
T22PL		22	27.5	44.5	36	27
T28PL	100 bar	28	30.5	48.5	41	36
T35PL		35	34.5	57.5	50	41
T42PL		42	40.0	63.5	60	50
T06PS	Heavy S 630 bar	6	16.0	31.5	17	12
T08PS		8	17.0	32.0	19	14
T10PS		10	17.5	34.5	22	17
T12PS		12	21.5	38.0	24	19
T16PS	400 bar	16	24.5	43.5	30	24
T20PS		20	26.5	49.0	36	27
T25PS		25	30.0	55.0	46	36
T30PS	250 bar	30	35.5	63.5	50	41
T38PS		38	41.0	72.5	60	50

ATAUFF HYDRAULIC STORE

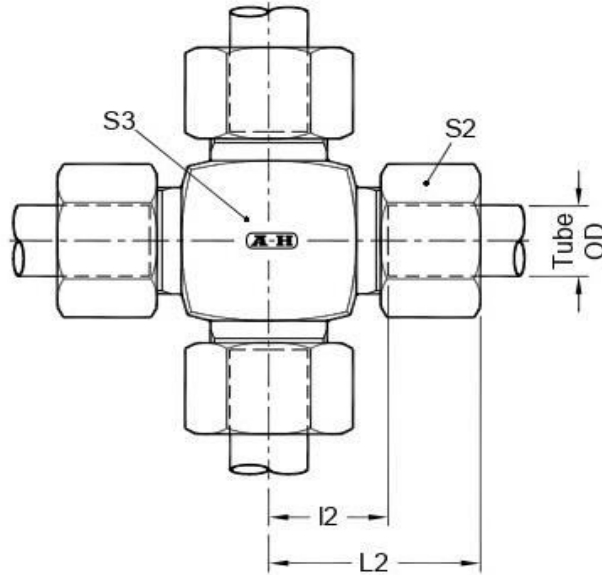
Equal Cross Couplings

K

Dimensions in mm

DIN Fittings

Metric Tube end as per ISO 8434



*

Part No.	Series	Tube od	l2	L2	S2	S3
K06PL	Light L 250 bar	6	12.0	27.5	14	12
K08PL		8	14.0	29.0	17	12
K10PL		10	15.0	30.5	19	14
K12PL		12	17.0	32.0	22	17
K15PL		15	21.0	37.0	27	22
K18PL	160 bar	18	23.5	40.5	32	24
K22PL		22	27.5	44.5	36	27
K28PL		100 bar	28	30.5	48.5	41
K35PL	35		34.5	57.5	50	41
K42PL	42		40.0	63.5	60	50
K06PS	Heavy S 630 bar		6	16.0	31.5	17
K08PS		8	17.0	32.0	19	14
K10PS		10	17.5	34.5	22	17
K12PS		12	21.5	38.0	24	19
K16PS	400 bar	16	24.5	43.5	30	24
K20PS		20	26.5	49.0	36	27
K25PS		25	30.0	55.0	46	36
K30PS	250 bar	30	35.5	63.5	50	41
K38PS		38	41.0	72.5	60	50

ATAUFF HYDRAULIC STORE

Straight Male Stud Couplings

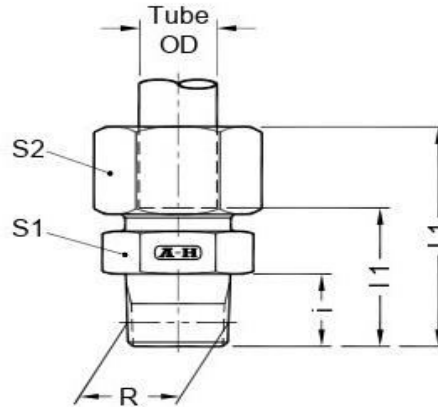
GE-R

Dimensions in mm

DIN Fittings

Metric Tube end as per ISO 8434

Male BSP Taper (R) stud end



Part No.	Series	Tube od	R Male BSPT thread	i	l1	* L1	S1	S2
GE06PLR	Light L 250 bar	6	R 1/8	7.5	14.5	30	14	14
GE06PLR02		6	R 1/4	11	18	33.5	14	14
GE08PLR		8	R 1/4	11	19	34	17	17
GE10PLR		10	R 1/4	11	20	35.5	17	19
GE12PLR02		12	R 1/4	11	20	35	19	22
GE12PLR		12	R 3/8	11.5	20.5	35.5	19	22
GE12PLR04		12	R 1/2	15	25	40	22	22
GE15PLR		15	R 1/2	15	26	42	24	27
GE18PLR	160bar	18	R 1/2	15	26.5	43.5	27	32
GE22PLR		22	R 3/4	16.5	30	47	32	36
GE28PLR	100 bar	28	R 1	19	33.5	51.5	41	41
GE35PLR		35	R1.1/4	21.5	35	58	46	50
GE42PLR		42	R1.1/2	21.5	37.5	61	55	60
GE06PSR	Heavy S 630 bar	6	R 1/4	11	22	37.5	17	17
GE08PSR		8	R 1/4	11	22	37	17	19
GE10PSR02		10	R 1/4	11	23.5	40.5	19	22
GE10PSR		10	R 3/8	11.5	24	41	19	22
GE12PSR02		12	R 1/4	11	25.5	42	22	24
GE12PSR		12	R 3/8	11.5	26	42.5	22	24
GE12PSR04		12	R 1/2	15	29.5	46	22	24
GE16PSR	400 bar	16	R 1/2	15	30.5	49.5	27	30
GE20PSR		20	R 3/4	16.5	34	56.5	32	36
GE25PSR		25	R 1	19	39	64	41	46
GE30PSR	250 bar	30	R1.1/4	21.5	42	70	46	50
GE38PSR		38	R1.1/2	21.5	44.5	76	55	60

ATAUFF HYDRAULIC STORE

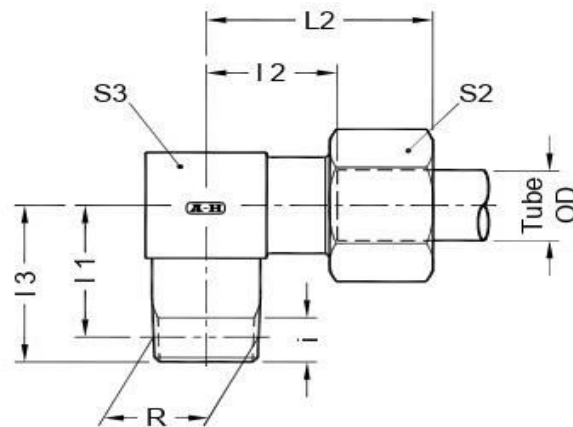
Male Stud Elbow Couplings

WE-R

Dimensions in mm

DIN Fittings

Metric Tube end as per ISO 8434
and BSP Taper (R) stud end



Part No.	Series	Tube od	R Male BSPT thread	i	I1 min	I1 max	I2	I3	* L2	S2	S3
WE06PLR	Light L 250 bar	6	R 1/8	7.5	16.1	17.9	13	21.0	28.5	14	12
WE08PLR		8	R 1/4	11	20.2	22.8	15.5	27.5	30.5	17	14
WE10PLR		10	R 1/4	11	19.7	22.3	15	27.0	30.5	19	17
WE12PLR		12	R 3/8	11.5	20.3	22.9	17	28.0	32.0	22	19
WE15PLR		15	R 1/2	15	25.0	28.6	22	35.0	38.0	27	22
WE18PLR	160 bar	18	R 1/2	15	26.0	29.6	23.5	36.0	40.5	32	27
WE06PSR	Heavy S 630 bar	6	R 1/4	11	18.7	21.3	17.5	26.0	33.0	17	14
WE08PSR		8	R 1/4	11	19.7	22.3	17	27.0	32.0	19	17
WE10PSR		10	R 3/8	11.5	20.3	22.9	17.5	28.0	34.5	22	19
WE12PSR		12	R 3/8	11.5	20.3	22.9	21.5	28.0	38.0	24	22
WE16PSR		400 bar	16	R 1/2	15	23.5	27.1	26	33.5	45.0	30

ATAUFF HYDRAULIC STORE

Male Stud Branch Tee Couplings

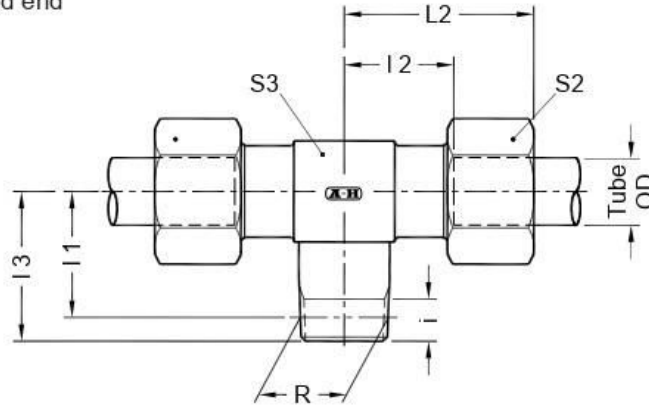
TE-R

Dimensions in mm

DIN Fittings

Metric Tube end as per ISO 8434

and BSP Taper (R) stud end



Part No.	Series	Tube od	R Male BSPT thread	i	l1 min	l1 max	l2	l3	* L2	S2	S3
TE06PLR	Light L 250 bar	6	R 1/8	7.5	16.1	17.9	13.0	21.0	28.5	14	12
TE08PLR		8	R 1/4	11	20.2	22.8	15.5	27.5	30.5	17	14
TE10PLR		10	R 1/4	11	19.7	22.3	15.0	27.0	30.5	19	17
TE12PLR		12	R 3/8	11.5	20.3	22.9	17.0	28.0	32.0	22	19
TE15PLR		15	R 1/2	15	25.0	28.6	22.0	35.0	38.0	27	22
TE18PLR	160 bar	18	R 1/2	15	26.0	29.6	23.5	36.0	40.5	32	27
TE06PSR	Heavy S 630 bar	6	R 1/4	11	18.7	21.3	17.5	26.0	33.0	17	14
TE08PSR		8	R 1/4	11	19.7	22.3	17.0	27.0	32.0	19	17
TE10PSR		10	R 3/8	11.5	20.3	22.9	17.5	28.0	34.5	22	19
TE12PSR		12	R 3/8	11.5	20.3	22.9	21.5	28.0	38.0	24	22
TE16PSR		400 bar	16	R 1/2	15	23.5	27.1	26.0	33.5	45.0	30

ATAUFF HYDRAULIC STORE

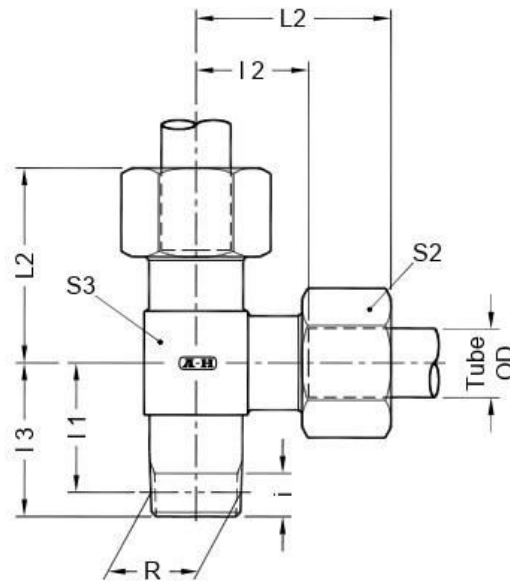
Male Stud Barrel Tee Couplings

LE-R

Dimensions in mm

DIN Fittings

Metric Tube end as per ISO 8434
and BSP Taper (R) stud end



Part No.	Series	Tube od	R Male BSPT thread	i	l1 min	l1 max	l2	l3	* L2	S2	S3
LE06PLR	Light L 250 bar	6	R 1/8	7.5	16.1	17.9	13	21.0	28.5	14	12
LE08PLR		8	R 1/4	11	20.2	22.8	15.5	27.5	30.5	17	14
LE10PLR		10	R 1/4	11	19.7	22.3	15	27.0	30.5	19	17
LE12PLR		12	R 3/8	11.5	20.3	22.9	17	28.0	32.0	22	19
LE15PLR		15	R 1/2	15	25.0	28.6	22	35.0	38.0	27	22
LE18PLR	160 bar	18	R 1/2	15	26.0	29.6	23.5	36.0	40.5	32	27
LE06PSR	Heavy S 630 bar	6	R 1/4	11	18.7	21.3	17.5	26.0	33.0	17	14
LE08PSR		8	R 1/4	11	19.7	22.3	17	27.0	32.0	19	17
LE10PSR		10	R 3/8	11.5	20.3	22.9	17.5	28.0	34.5	22	19
LE12PSR		12	R 3/8	11.5	20.3	22.9	21.5	28.0	38.0	24	22
LE16PSR		400 bar	16	R 1/2	15	23.5	27.1	26	33.5	45.0	30

ATAUFF HYDRAULIC STORE

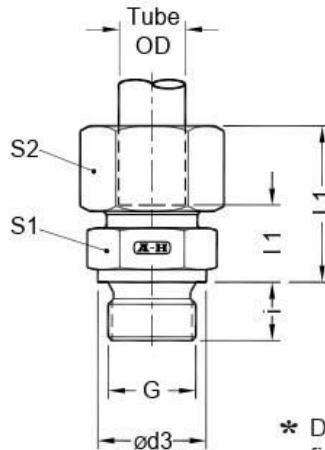
Straight Male Stud Couplings

GE-G

Dimensions in mm

DIN Fittings

Metric Tube end as per ISO 8434
Male BSPP (G) thread



* Dimensions given are approx figures with tightened nut.

Part No.	Series	Tube od	G Male BSP thread	ø d3	i	l 1	* L1	S1	S2
GE06PLG	Light L 250 bar	6	G 1/8 A	14	8	8.5	24	14	14
GE08PLG		8	G 1/4 A	18	12	10	25	19	17
GE08PLG03		8	G 3/8 A	22	12	11.5	26.5	22	17
GE10PLG		10	G 1/4 A	18	12	11	26.5	19	19
GE10PLG03		10	G 3/8 A	22	12	12.5	28	22	19
GE12PLG02		12	G 1/4 A	18	12	12	27	19	22
GE12PLG		12	G 3/8 A	22	12	12.5	27.5	22	22
GE12PLG04		12	G 1/2 A	26	14	13	28	27	22
GE15PLG		15	G 1/2 A	26	14	14	30	27	27
GE18PLG	160 bar	18	G 1/2 A	26	14	14.5	31.5	27	32
GE22PLG		22	G 3/4 A	32	16	16.5	33.5	32	36
GE28PLG	100 bar	28	G 1 A	39	18	17.5	35.5	41	41
GE35PLG		35	G1 1/4 A	49	20	17.5	40.5	50	50
GE42PLG		42	G1 1/2 A	55	22	19	42.5	55	60
GE06PSG	Heavy S 630 bar	6	G 1/4 A	18	12	13	28.5	19	17
GE08PSG		8	G 1/4 A	18	12	15	30	19	19
GE10PSG		10	G 3/8 A	22	12	15	32	22	22
GE12PSG		12	G 3/8 A	22	12	17	33.5	22	24
GE12PSG04		12	G 1/2 A	26	14	17.5	34	27	24
GE16PSG	400 bar	16	G 1/2 A	26	14	18.5	37.5	27	30
GE20PSG		20	G 3/4 A	32	16	20.5	43	32	36
GE25PSG		25	G 1 A	39	18	23	48	41	46
GE30PSG	250 bar	30	G1 1/4 A	49	20	23.5	51.5	50	50
GE38PSG		38	G1 1/2 A	55	22	26	57.5	55	60

ATAUFF HYDRAULIC STORE

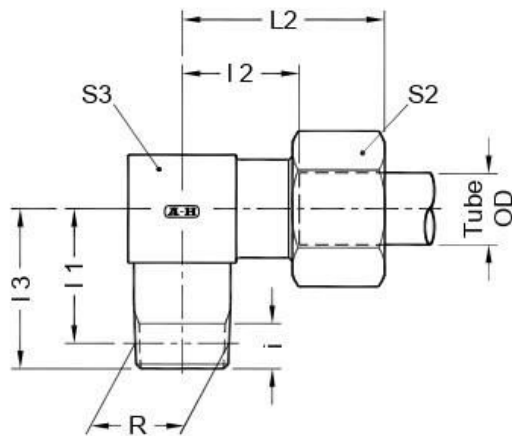
Male Stud Elbow Couplings

WE-R

Dimensions in mm

DIN Fittings

Metric Tube end as per ISO 8434
and BSP Taper (R) stud end



Part No.	Series	Tube od	R Male BSPT thread	i	I 1 min	I 1 max	I 2	I 3	* L 2	S 2	S 3
WE06PLR	Light L 250 bar	6	R 1/8	7.5	16.1	17.9	13	21.0	28.5	14	12
WE08PLR		8	R 1/4	11	20.2	22.8	15.5	27.5	30.5	17	14
WE10PLR		10	R 1/4	11	19.7	22.3	15	27.0	30.5	19	17
WE12PLR		12	R 3/8	11.5	20.3	22.9	17	28.0	32.0	22	19
WE15PLR		15	R 1/2	15	25.0	28.6	22	35.0	38.0	27	22
WE18PLR	160 bar	18	R 1/2	15	26.0	29.6	23.5	36.0	40.5	32	27
WE06PSR	Heavy S 630 bar	6	R 1/4	11	18.7	21.3	17.5	26.0	33.0	17	14
WE08PSR		8	R 1/4	11	19.7	22.3	17	27.0	32.0	19	17
WE10PSR		10	R 3/8	11.5	20.3	22.9	17.5	28.0	34.5	22	19
WE12PSR		12	R 3/8	11.5	20.3	22.9	21.5	28.0	38.0	24	22
WE16PSR		400 bar	16	R 1/2	15	23.5	27.1	26	33.5	45.0	30

ATAUFF HYDRAULIC STORE

Male Stud Branch Tee Couplings

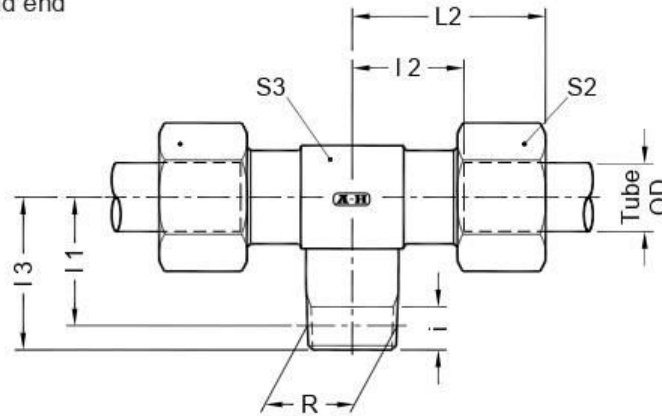
TE-R

Dimensions in mm

DIN Fittings

Metric Tube end as per ISO 8434

and BSP Taper (R) stud end



Part No.	Series	Tube od	R Male BSPT thread	i	l1 min	l1 max	l2	l3	* L2	S2	S3
TE06PLR	Light L 250 bar	6	R 1/8	7.5	16.1	17.9	13.0	21.0	28.5	14	12
TE08PLR		8	R 1/4	11	20.2	22.8	15.5	27.5	30.5	17	14
TE10PLR		10	R 1/4	11	19.7	22.3	15.0	27.0	30.5	19	17
TE12PLR		12	R 3/8	11.5	20.3	22.9	17.0	28.0	32.0	22	19
TE15PLR		15	R 1/2	15	25.0	28.6	22.0	35.0	38.0	27	22
TE18PLR	160 bar	18	R 1/2	15	26.0	29.6	23.5	36.0	40.5	32	27
TE06PSR	Heavy S 630 bar	6	R 1/4	11	18.7	21.3	17.5	26.0	33.0	17	14
TE08PSR		8	R 1/4	11	19.7	22.3	17.0	27.0	32.0	19	17
TE10PSR		10	R 3/8	11.5	20.3	22.9	17.5	28.0	34.5	22	19
TE12PSR		12	R 3/8	11.5	20.3	22.9	21.5	28.0	38.0	24	22
TE16PSR		400 bar	16	R 1/2	15	23.5	27.1	26.0	33.5	45.0	30

ATAUFF HYDRAULIC STORE

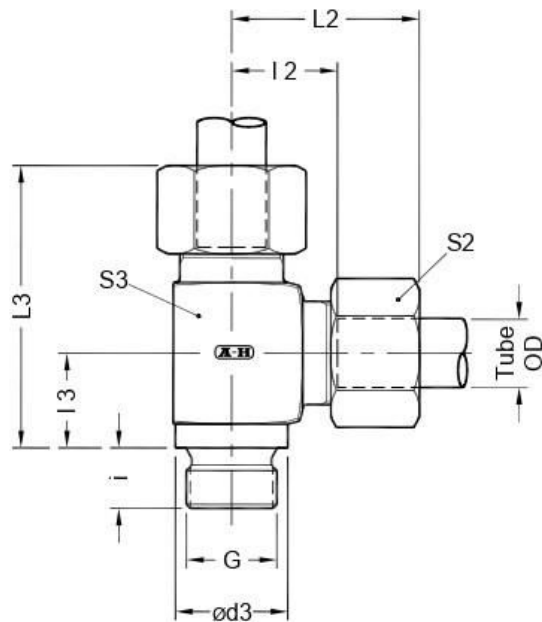
Male Stud Barrel Tee Couplings

LE-G

Dimensions in mm

DIN Fittings

Metric Tube end as per ISO 8434
and BSPP (G) stud end



Part No.	Series	Tube od	G Male BSP thread	ø d3	i	l2	l3	* L2	* L3	S2	S3
LE22PLG	160 bar	22	G 3/4 A	32	16	27.5	26	44.5	70.5	36	32
LE28PLG	100 bar	28	G 1 A	39	18	30.5	30	48.5	78.5	41	41
LE35PLG	Light L	35	G1 1/4 A	49	20	34.5	34	57.5	91.5	50	50
LE42PLG		42	G1 1/2 A	55	22	40.0	39	63.5	102.5	60	55
LE20PSG	400 bar	20	G 3/4 A	32	16	26.5	26	49.0	75.0	36	32
LE25PSG	Heavy S	25	G 1 A	39	18	30.0	30	55.0	85.0	46	41
LE30PSG		250 bar	30	G1 1/4 A	49	20	35.5	34	63.5	97.5	50
LE38PSG		38	G1 1/2 A	55	22	41.0	39	72.5	111.5	60	55

ATAUFF HYDRAULIC STORE

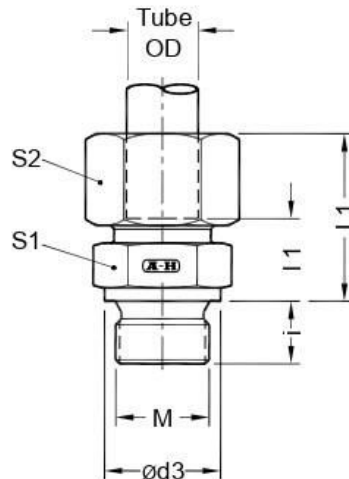
Straight Male Stud Couplings

GE-M

Dimensions in mm

DIN Fittings

Metric Tube end as per ISO 8434
Male Metric (M) thread



High Pressure Series

Part No.	Series	Tube od	M Male Metric thread	ø d3	i	l 1	* L1	S1	S2
GE06PSM	Heavy S 630 bar	6	M12 x 1.5	17	12	13	28.5	17	17
GE08PSM		8	M14 x 1.5	19	12	15	30	19	19
GE10PSM		10	M16 x 1.5	21	12	15	32	22	22
GE12PSM		12	M18 x 1.5	23	12	17	33.5	24	24
GE12PSM22		12	M22 x 1.5	27	14	17.5	34	27	24
GE16PSM18	400 bar	16	M18 x 1.5	23	12	18	37	27	30
GE16PSM		16	M22 x 1.5	27	14	18.5	37.5	27	30
GE20PSM		20	M27 x 2.0	32	16	20.5	43	32	36
GE25PSM		25	M33 x 2.0	39	18	23	48	41	46
GE30PSM	250 bar	30	M42 x 2.0	49	20	23.5	51.5	50	50
GE38PSM		38	M48 x 2.0	55	22	26	57.5	55	60

ATAUFF HYDRAULIC STORE

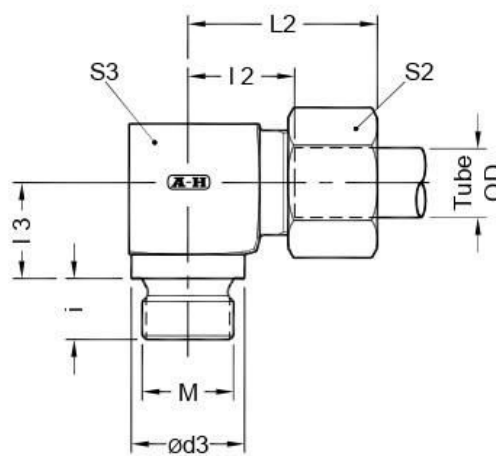
Male Stud Elbow Couplings

WE-M

Dimensions in mm

DIN Fittings

Metric Tube end as per ISO 8434
and Metric (M) stud end



Part No.	Series	Tube od	M Male Metric thread	ø d3	i	I 2	I 3	* L2	S2	S3
WE22PLM	160 bar	22	M 26 x 1.5	32	16	27.5	26	44.5	36	32
WE28PLM	100 bar	28	M 33 x 2.0	39	18	30.5	30	48.5	41	41
WE35PLM	Light L	35	M 42 x 2.0	49	20	34.5	34	57.5	50	50
WE42PLM		42	M 48 x 2.0	55	22	40.0	39	63.5	60	55
WE20PSM	400 bar	20	M 27 x 2.0	32	16	26.5	26	49.0	36	32
WE25PSM	Heavy S	25	M 33 x 2.0	39	18	30.0	30	55.0	46	41
WE30PSM		250 bar	30	M 42 x 2.0	49	20	35.5	34	63.5	50
WE38PSM		38	M 48 x 2.0	55	22	41.0	39	72.5	60	55

ATAUFF HYDRAULIC STORE

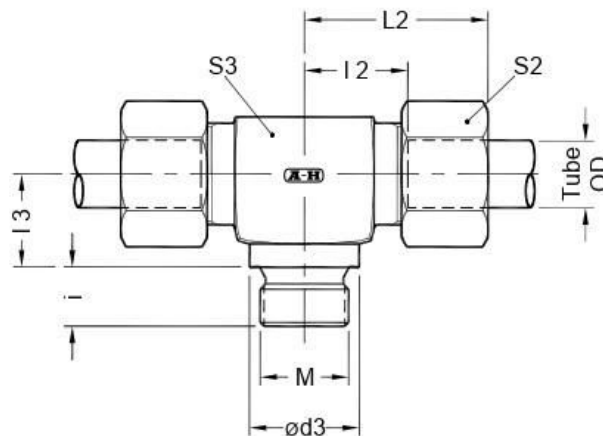
Male Stud Branch Tee Couplings

TE-M

Dimensions in mm

DIN Fittings

Metric Tube end as per ISO 8434
and Metric (M) stud end



Part No.	Series	Tube od	M Male Metric thread	ø d3	i	L1	L3	* L2	S2	S3
TE22PLM	160 bar	22	M 26 x 1.5	32	16	27.5	26	44.5	36	32
TE28PLM	100 bar	28	M 33 x 2.0	39	18	30.5	30	48.5	41	41
TE35PLM	Light L	35	M 42 x 2.0	49	20	34.5	34	57.5	50	50
TE42PLM		42	M 48 x 2.0	55	22	40.0	39	63.5	60	55
TE20PSM	400 bar	20	M 27 x 2.0	32	16	26.5	26	49.0	36	32
TE25PSM	Heavy S	25	M 33 x 2.0	39	18	30.0	30	55.0	46	41
TE30PSM		250 bar	30	M 42 x 2.0	49	20	35.5	34	63.5	50
TE38PSM		38	M 48 x 2.0	55	22	41.0	39	72.5	60	55

ATAUFF HYDRAULIC STORE

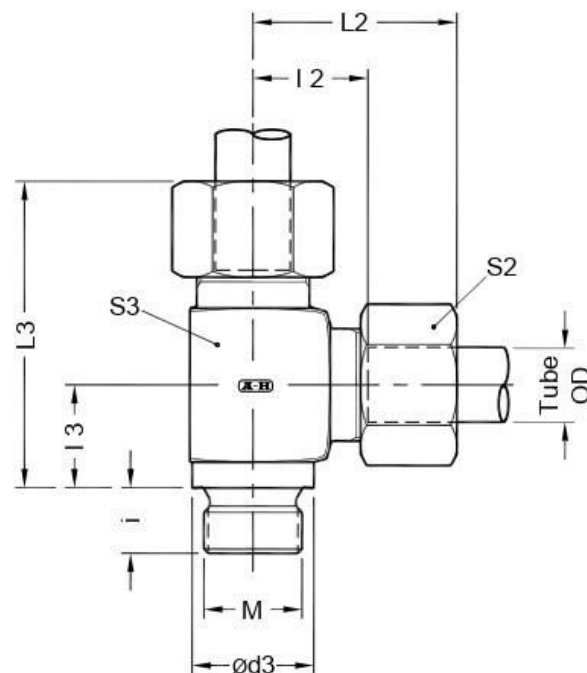
Male Stud Barrel Tee Couplings

LE-M

Dimensions in mm

DIN Fittings

Metric Tube end as per ISO 8434
and Metric (M) stud end



Part No.	Series	Tube od	M Male Metric thread	ø d3	i	l 2	l 3	* L2	* L3	S2	S3
LE22PLM	160 bar	22	M 26 x 1.5	32	16	27.5	26	44.5	70.5	36	32
LE28PLM	100 bar	28	M 33 x 2.0	39	18	30.5	30	48.5	78.5	41	41
LE35PLM	Light L	35	M 42 x 2.0	49	20	34.5	34	57.5	91.5	50	50
LE42PLM		42	M 48 x 2.0	55	22	40.0	39	63.5	102.5	60	55
LE20PSM	400 bar	20	M 27 x 2.0	32	16	26.5	26	49.0	75.0	36	32
LE25PSM	Heavy S	25	M 33 x 2.0	39	18	30.0	30	55.0	85.0	46	41
LE30PSM	250 bar	30	M 42 x 2.0	49	20	35.5	34	63.5	97.5	50	50
LE38PSM		38	M 48 x 2.0	55	22	41.0	39	72.5	111.5	60	55

ATAUFF HYDRAULIC STORE

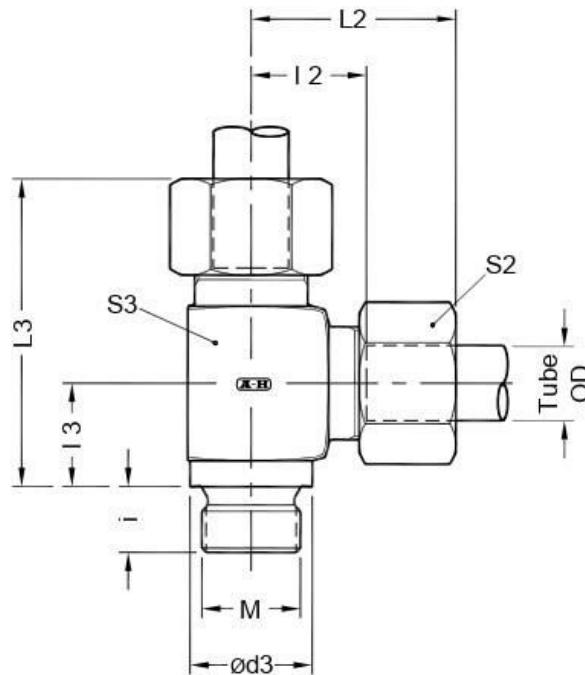
Male Stud Barrel Tee Couplings

LE-M

Dimensions in mm

DIN Fittings

Metric Tube end as per ISO 8434
and Metric (M) stud end



Part No.	Series	Tube od	M Male Metric thread	ø d3	i	l 2	l 3	* L2	* L3	S2	S3
LE22PLM	160 bar	22	M 26 x 1.5	32	16	27.5	26	44.5	70.5	36	32
LE28PLM	100 bar	28	M 33 x 2.0	39	18	30.5	30	48.5	78.5	41	41
LE35PLM	Light L	35	M 42 x 2.0	49	20	34.5	34	57.5	91.5	50	50
LE42PLM		42	M 48 x 2.0	55	22	40.0	39	63.5	102.5	60	55
LE20PSM	400 bar	20	M 27 x 2.0	32	16	26.5	26	49.0	75.0	36	32
LE25PSM	Heavy S	25	M 33 x 2.0	39	18	30.0	30	55.0	85.0	46	41
LE30PSM	250 bar	30	M 42 x 2.0	49	20	35.5	34	63.5	97.5	50	50
LE38PSM		38	M 48 x 2.0	55	22	41.0	39	72.5	111.5	60	55

ATAUFF HYDRAULIC STORE

Straight Male Stud Couplings

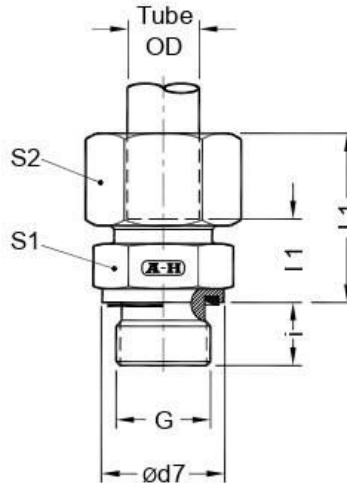
GE-GE

Dimensions in mm

DIN Fittings

Metric Tube end as per ISO 8434

Male BSPP (G) Thread as per
DIN 3852, Part 11 with
Elastomeric seal



Part No.	Series	Tube od	G Male BSP thread	ø d7	i	L1	* L1	S1	S2
GE06PLGE	Light L 250 bar	6	G 1/8 A	14	8	8.5	24	14	14
GE08PLGE		8	G 1/4 A	19	12	10	25	19	17
GE10PLGE		10	G 1/4 A	19	12	11	26.5	19	19
GE12PLGE		12	G 3/8 A	22	12	12.5	27.5	22	22
GE15PLGE		15	G 1/2 A	27	14	14	30	27	27
GE18PLGE	160 bar	18	G 1/2 A	27	14	14.5	31.5	27	32
GE22PLGE		22	G 3/4 A	32	16	16.5	33.5	32	36
GE28PLGE		100 bar	28	G 1 A	40	18	17.5	35.5	41
GE35PLGE	35		G1 1/4 A	50	20	17.5	40.5	50	50
GE42PLGE	42		G1 1/2 A	55	22	19	42.5	55	60
GE06PSGE	Heavy S 630 bar	6	G 1/4 A	19	12	13	28.5	19	17
GE08PSGE		8	G 1/4 A	19	12	15	30	19	19
GE10PSGE		10	G 3/8 A	22	12	15	32	22	22
GE12PSGE		12	G 3/8 A	22	12	17	33.5	22	24
GE16PSGE	400 bar	16	G 1/2 A	27	14	18.5	37.5	27	30
GE20PSGE		20	G 3/4 A	32	16	20.5	43	32	36
GE25PSGE		25	G 1 A	40	18	23	48	41	46
GE30PSGE	250 bar	30	G1 1/4 A	50	20	23.5	51.5	50	50
GE38PSGE		38	G1 1/2 A	55	22	26	57.5	55	60

ATAUFF HYDRAULIC STORE

Straight Male Stud Couplings

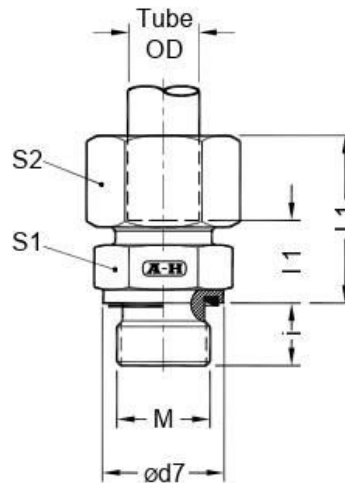
GE-ME

Dimensions in mm

DIN Fittings

Metric Tube end as per ISO 8434

Male Metric (M) Thread as per
DIN 3852 Part 11,
ISO 9974 Form E
with Elastomeric seal



Part No.	Series	Tube od	M Male Metric thread	ød7	i	l1	* L1	S1	S2
GE06PLME	Light L 250 bar	6	M10 x 1.0	14	8	8.5	24	14	14
GE08PLME		8	M12 x 1.5	17	12	10	25	17	17
GE10PLME		10	M14 x 1.5	19	12	11	26.5	19	19
GE12PLME		12	M16 x 1.5	22	12	12.5	27.5	22	22
GE15PLME		15	M18 x 1.5	24	12	13.5	29.5	24	27
GE18PLME	160 bar	18	M22 x 1.5	27	14	14.5	31.5	27	32
GE22PLME		22	M26 x 1.5	32	16	16.5	33.5	32	36
GE28PLME	100 bar	28	M33 x 2.0	40	18	17.5	35.5	41	41
GE35PLME		35	M42 x 2.0	50	20	17.5	40.5	50	50
GE42PLME		42	M48 x 2.0	55	22	19	42.5	55	60
GE06PSME	Heavy S 630 bar	6	M12 x 1.5	17	12	13	28.5	17	17
GE08PSME		8	M14 x 1.5	19	12	15	30	19	19
GE10PSME		10	M16 x 1.5	22	12	15	32	22	22
GE12PSME		12	M18 x 1.5	24	12	17	33.5	24	24
GE16PSME	400 bar	16	M22 x 1.5	27	14	18.5	37.5	27	30
GE20PSME		20	M27 x 2.0	32	16	20.5	43	32	36
GE25PSME		25	M33 x 2.0	40	18	23	48	41	46
GE30PSME	250 bar	30	M42 x 2.0	50	20	23.5	51.5	50	50
GE38PSME		38	M48 x 2.0	55	22	26	57.5	55	60

ATAUFF HYDRAULIC STORE

Straight Male Stud Couplings

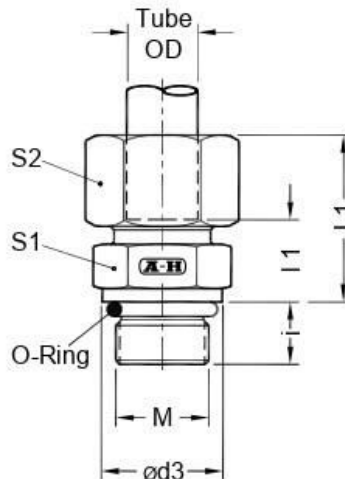
GE-MO

Dimensions in mm

DIN Fittings

Metric Tube end as per ISO 8434 and Metric stud end.

Male Metric (M) Threads with O-Ring sealing for port tapings according to ISO 6149 or DIN 3852 Part 3



Part No.	Series	Tube od	M Male Metric threads	ø d3	i	l 1	* L1	S1	S2	O-Ring ID x CSD ~ 90 Shore
GE06PLMO	Light L 315 bar	6	M10 x 1.0	14	9.5	8.5	24	14	14	8.1 x 1.6
GE08PLMO		8	M12 x 1.5	17	11	10	25	17	17	9.3 x 2.2
GE10PLMO		10	M14 x 1.5	19	11	11	26.5	19	19	11.3 x 2.2
GE12PLMO		12	M16 x 1.5	22	12.5	12.5	27.5	22	22	13.3 x 2.2
GE15PLMO		15	M18 x 1.5	24	14	13.5	29.5	24	27	15.3 x 2.2
GE18PLMO		18	M22 x 1.5	27	15	14.5	31.5	27	32	19.3 x 2.2
GE22PLM27O	160 bar	22	M27 x 2.0	32	18.5	16.5	33.5	32	36	23.6 x 2.9
GE28PLMO		28	M33 x 2.0	41	18.5	17.5	35.5	41	41	29.6 x 2.9
GE35PLMO		35	M42 x 2.0	50	19	17.5	40.5	50	50	38.6 x 2.9
GE42PLMO		42	M48 x 2.0	55	21.5	19.5	43	55	60	44.6 x 2.9
GE06PSMO	Heavy S 630 bar 400 bar	6	M12 x 1.5	17	11	13	28.5	17	17	9.3 x 2.2
GE08PSMO		8	M14 x 1.5	19	11	15	30	19	19	11.3 x 2.2
GE10PSMO		10	M16 x 1.5	22	12.5	15	32	22	22	13.3 x 2.2
GE12PSMO		12	M18 x 1.5	24	14	17	33.5	24	24	15.3 x 2.2
GE16PSMO		16	M22 x 1.5	27	15	18.5	37.5	27	30	19.3 x 2.2
GE20PSMO		20	M27 x 2.0	32	18.5	20.5	43	32	36	23.6 x 2.9
GE25PSMO		25	M33 x 2.0	41	18.5	23	48	41	46	29.6 x 2.9
GE30PSMO		30	M42 x 2.0	50	19	23.5	51.5	50	50	38.6 x 2.9
GE38PSMO		38	M48 x 2.0	55	21.5	26.5	58	55	60	44.6 x 2.9

ATAUFF HYDRAULIC STORE

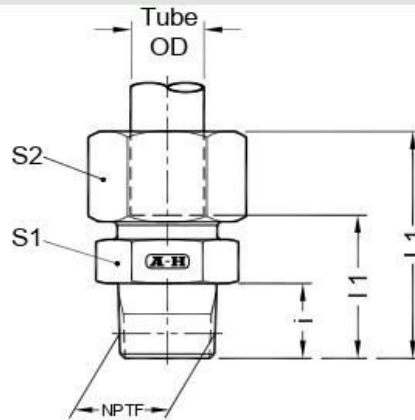
Straight Male Stud Couplings

GE-N

Dimensions in mm

DIN Fittings

Metric Tube end as per ISO 8434
and NPTF stud end



Part No.	Series	Tube od	Male NPTF thread	i	l1	* L1	S1	S2
GE06PLN	Light L 250 bar	6	1/8"-27	9.9	17	32.5	12	14
GE06PLN02		6	1/4"-18	15.1	23	38.5	17	14
GE08PLN		8	1/4"-18	15.1	23	38	17	17
GE10PLN		10	1/4"-18	15.1	24	39.5	17	19
GE12PLN02		12	1/4"-18	15.1	25	40	19	22
GE12PLN		12	3/8"-18	15.2	25	40	19	22
GE12PLN04		12	1/2"-14	19.8	30	45	22	22
GE15PLN		15	1/2"-14	19.8	31	47	24	27
GE18PLN	160bar	18	1/2"-14	19.8	31.5	48.5	27	32
GE22PLN		22	3/4"-14	20.1	33.5	50.5	32	36
GE28PLN	100 bar	28	1"-11 1/2	25	39.5	57.5	41	41
GE35PLN		35	1 1/4"-11 1/2	25.6	40.5	63.5	46	50
GE42PLN		42	1 1/2"-11 1/2	26	42	65.5	55	60
GE06PSN	Heavy S 630 bar	6	1/4"-18	15.1	28	43.5	17	17
GE08PSN		8	1/4"-18	15.1	28	43	17	19
GE10PSN02		10	1/4"-18	15.1	27.5	44.5	19	22
GE10PSN		10	3/8"-18	15.2	27.5	44.5	19	22
GE12PSN02		12	1/4"-18	15.1	29.5	46	22	24
GE12PSN		12	3/8"-18	15.2	29.5	46	22	24
GE12PSN04		12	1/2"-14	19.8	34.5	51	22	24
GE16PSN		400 bar	16	1/2"-14	19.8	35.5	54.5	27
GE20PSN	20		3/4"-14	20.1	37.5	60	32	36
GE25PSN	25		1"-11 1/2	25	45	70	41	46
GE30PSN	250 bar	30	1 1/4"-11 1/2	25.6	46.5	74.5	46	50
GE38PSN		38	1 1/2"-11 1/2	26	49	80.5	55	60

ATAUFF HYDRAULIC STORE

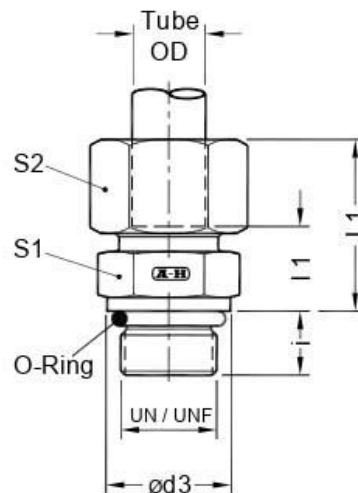
Straight Male Stud Couplings

GE-S

Dimensions in mm

DIN Fittings

Metric Tube end as per ISO 8434
Male stud - SAE Straight thread
with O-Ring sealing



Low Pressure Series

Part No.	Series	Tube od	Male UN/UNF Class 2A	ø d3	i	l1	* L1	S1	S2	O-Ring ID x CSD
GE08PLS	Light 250 bar	8	7/16 - 20 UNF	14.1	11	10	25.5	17	17	8.92 x 1.83
GE10PLS		10	7/16 - 20 UNF	14.1	11	11	26	17	19	8.92 x 1.83
GE12PLS		12	9/16 - 18 UNF	17.3	12	11	26.5	19	22	11.9 x 1.98
GE12PLS08		12	3/4 - 16 UNF	22.0	14	13	28	24	22	16.36 x 2.20
GE12PLS10		12	7/8 - 14 UNF	25.2	16	14	29	27	22	19.18 x 2.46
GE15PLS		15	3/4 - 16 UNF	22.0	14	14	29	24	27	16.36 x 2.20
GE15PLS10		15	7/8 - 14 UNF	25.2	16	15	31	27	27	19.18 x 2.46
GE18PLS	160 bar	18	3/4 - 16 UNF	22.0	14	14.5	30.5	27	32	16.36 x 2.20
GE18PLS10		18	7/8 - 14 UNF	25.2	16	14.5	31.5	27	32	19.18 x 2.46
GE22PLS		22	7/8 - 14 UNF	25.2	16	16.5	33.5	32	36	19.18 x 2.46
GE22PLS12		22	1,1/16 - 12 UN	31.5	18.5	16.5	33.5	32	36	23.47 x 2.95
GE22PLS16		22	1,5/16 - 12 UN	37.9	18.5	17.5	34.5	41	36	29.74 x 2.95
GE28PLS		28	1,1/16 - 12 UN	31.5	18.5	17.5	34.5	41	41	23.47 x 2.95
GE28PLS16	100 bar	28	1,5/16 - 12 UN	37.9	18.5	17.5	35.5	41	41	29.74 x 2.95
GE35PLS		35	1,5/16 - 12 UN	37.9	18.5	17.5	40.5	46	50	29.74 x 2.95
GE35PLS20		35	1,5/8 - 12 UN	47.4	18.5	17.5	40.5	50	50	37.46 x 3.00
GE42PLS		42	1,5/8 - 12 UN	47.4	18.5	19	42.5	55	60	37.46 x 3.00

ATAUFF HYDRAULIC STORE

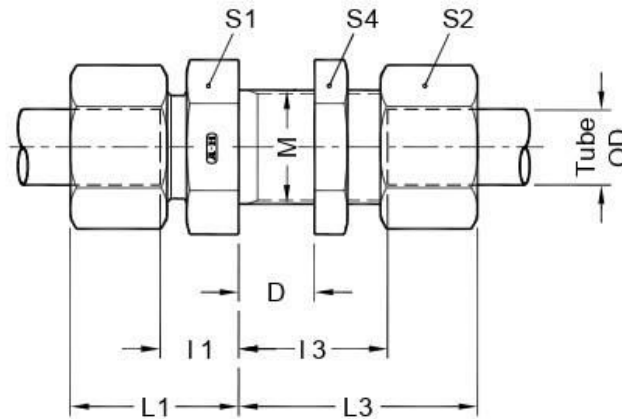
Straight Bulkhead Couplings

SV

Dimensions in mm

DIN Fittings

Metric Tube end as per ISO 8434



D = 16mm (max)

Lock nut part number - GM

Part No.	Series	Tube od	M	I1	I3	L1	L3	S1	S2	S4
SV06PL	Light L 250 bar	6	M12 x 1.5	7	27.0	22.5	42.5	17	14	17
SV08PL		8	M14 x 1.5	8	27.0	23.0	42.0	19	17	19
SV10PL		10	M16 x 1.5	10	28.0	25.5	43.5	22	19	22
SV12PL		12	M18 x 1.5	10	29.0	25.0	44.0	24	22	24
SV15PL		15	M22 x 1.5	12	31.0	28.0	47.0	27	27	30
SV18PL	160 bar	18	M26 x 1.5	13.5	32.5	30.5	49.5	32	32	36
SV22PL		22	M30 x 2.0	16.5	34.5	33.5	51.5	36	36	41
SV28PL	100 bar	28	M36 x 2.0	18.5	35.5	36.5	53.5	41	41	46
SV35PL		35	M45 x 2.0	18.5	36.5	41.5	59.5	50	50	55
SV42PL		42	M52 x 2.0	19	36.0	42.5	59.5	60	60	65
SV06PS	Heavy S 630 bar	6	M14 x 1.5	12	29.0	27.5	44.5	19	17	19
SV08PS		8	M16 x 1.5	13	29.0	28.0	44.0	22	19	22
SV10PS		10	M18 x 1.5	14.5	29.5	31.5	46.5	24	22	24
SV12PS		12	M20 x 1.5	14.5	30.5	31.0	47.0	27	24	27
SV16PS	400 bar	16	M24 x 1.5	16.5	31.5	35.5	50.5	32	30	32
SV20PS		20	M30 x 2.0	17.5	33.5	40.0	56.0	41	36	41
SV25PS		25	M36 x 2.0	20	35.0	45.0	60.0	46	46	46
SV30PS	250 bar	30	M42 x 2.0	21.5	37.5	49.5	65.5	50	50	50
SV38PS		38	M52 x 2.0	22	37.0	53.5	68.5	65	60	65

ATAUFF HYDRAULIC STORE

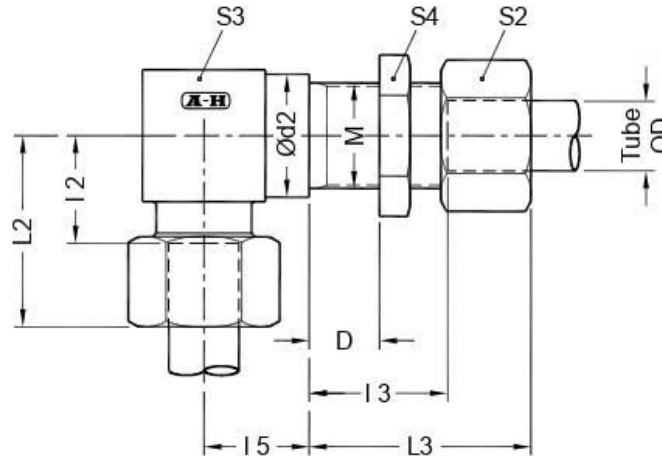
Elbow Bulkhead Couplings

WSV

Dimensions in mm

DIN Fittings

Metric Tube end as per ISO 8434



D = 16mm (max)

Lock nut part number - GM

Part No.	Series	Tube od	M	Ød2	I2	I3	I5	L2	L3	S2	S3	S4
WSV06PL	Light L 250 bar	6	M12 x 1.5	17	12.0	27.0	14	27.5	42.5	14	17	17
WSV08PL		8	M14 x 1.5	19	14.0	27.0	17	29.0	42.0	17	19	19
WSV10PL		10	M16 x 1.5	22	15.0	28.0	18	30.5	43.5	19	22	22
WSV12PL		12	M18 x 1.5	24	17.0	29.0	20	32.0	44.0	22	24	24
WSV15PL		15	M22 x 1.5	27	21.0	31.0	23	37.0	47.0	27	27	30
WSV18PL	160 bar	18	M26 x 1.5	32	23.5	32.5	24	40.5	49.5	32	32	36
WSV22PL		22	M30 x 2.0	36	27.5	34.5	30	44.5	51.5	36	36	41
WSV28PL	100 bar	28	M36 x 2.0	42	30.5	35.5	34	48.5	53.5	41	42	46
WSV35PL		35	M45 x 2.0	50	34.5	36.5	39	57.5	59.5	50	50	55
WSV42PL		42	M52 x 2.0	60	40.0	36.0	43	63.5	59.5	60	60	65
WSV06PS	Heavy S	6	M14 x 1.5	19	16.0	29.0	17	31.5	44.5	17	19	19
WSV08PS		8	M16 x 1.5	22	17.0	29.0	18	32.0	44.0	19	22	22
WSV10PS	630 bar	10	M18 x 1.5	24	17.5	29.5	20	34.5	46.5	22	24	24
WSV12PS		12	M20 x 1.5	27	21.5	30.5	21	38.0	47.0	24	27	27
WSV16PS	400 bar	16	M24 x 1.5	30	24.5	31.5	24	43.5	50.5	30	30	32
WSV20PS		20	M30 x 2.0	36	26.5	33.5	30	49.0	56.0	36	36	41
WSV25PS		25	M36 x 2.0	42	30.0	35.0	34	55.0	60.0	46	42	46
WSV30PS	250 bar	30	M42 x 2.0	50	35.5	37.5	39	63.5	65.5	50	50	50
WSV38PS		38	M52 x 2.0	60	41.0	37.0	43	72.5	68.5	60	60	65

ATAUFF HYDRAULIC STORE

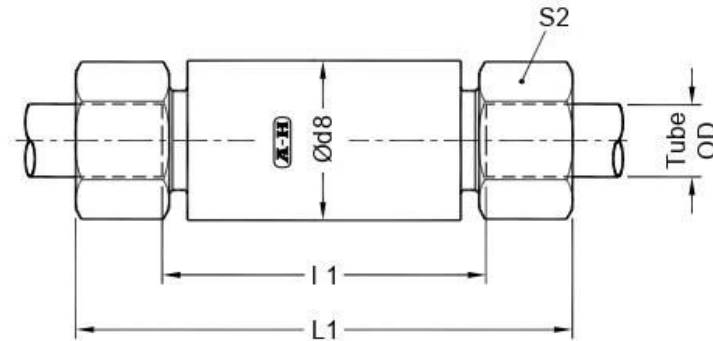
Weld Bulkhead Couplings

ESV

Dimensions in mm

DIN Fittings

Metric Tube end as per ISO 8434



Part No.	Series	Tube od	Ød8	l 1	L1	S2
ESV06PL	Light L 250 bar	6	18	56	87	14
ESV08PL		8	20	56	86	17
ESV10PL		10	22	58	89	19
ESV12PL		12	25	58	88	22
ESV15PL		15	28	70	102	27
ESV18PL	160 bar	18	32	69	103	32
ESV22PL		22	36	73	107	36
ESV28PL	100 bar	28	40	73	109	41
ESV35PL		35	50	71	117	50
ESV42PL		42	60	70	117	60
ESV06PS	Heavy S 630 bar	6	20	60	91	17
ESV08PS		8	22	60	90	19
ESV10PS		10	25	59	93	22
ESV12PS		12	28	59	92	24
ESV16PS	400 bar	16	35	71	109	30
ESV20PS		20	38	71	116	36
ESV25PS		25	45	72	122	46
ESV30PS	250 bar	30	50	73	129	50
ESV38PS		38	60	72	135	60

ATAUFF HYDRAULIC STORE

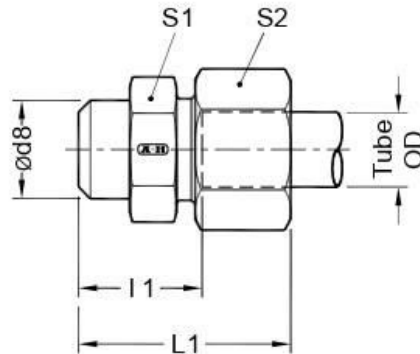
Weld Couplings

AS

Dimensions in mm

DIN Fittings

Metric Tube end as per ISO 8434



*

Part No.	Series	Tube od	ød8	I 1	L1	S1	S2
AS06PL	Light L 250 bar	6	10	14.0	29.5	12	14
AS08PL		8	12	16.0	31.0	14	17
AS10PL		10	14	18.0	33.5	17	19
AS12PL		12	16	18.0	33.0	19	22
AS15PL		15	19	22.0	38.0	22	27
AS18PL	160 bar	18	22	23.5	40.5	27	32
AS22PL		22	27	28.5	45.5	32	36
AS28PL	100 bar	28	32	30.5	48.5	41	41
AS35PL		35	40	32.5	55.5	46	50
AS42PL		42	46	35.0	58.5	55	60
AS06PS	Heavy S 630 bar	6	11	19.0	34.5	14	17
AS08PS		8	13	21.0	36.0	17	19
AS10PS		10	15	22.5	39.5	19	22
AS12PS		12	17	24.5	41.0	22	24
AS16PS	400 bar	16	21	26.5	45.5	27	30
AS20PS		20	26	29.5	52.0	32	36
AS25PS		25	31	32.0	57.0	41	46
AS30PS	250 bar	30	36	35.5	63.5	46	50
AS38PS		38	44	38.0	69.5	55	60

ATAUFF HYDRAULIC STORE

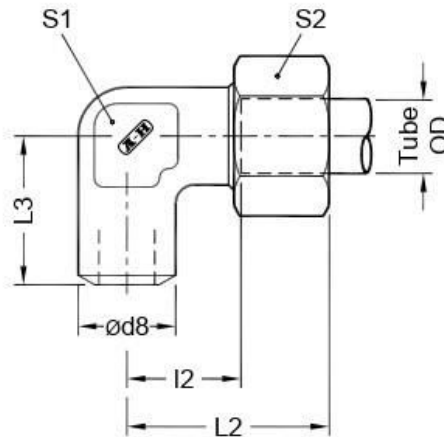
Elbow Weld Couplings

WAS

Dimensions in mm

DIN Fittings

Metric Tube end as per ISO 8434



*

Part No.	Series	Tube od	ød8	I 2	L2	L3	S1	S2
WAS06PL	Light L	6	10	12.0	27.5	19	12	14
WAS08PL	250 bar	8	12	14.0	29.0	23	12	17
WAS10PL		10	14	15.0	30.5	24	14	19
WAS12PL		12	16	17.0	32.0	25	17	22
WAS15PL	160 bar	15	19	21.0	37.0	30	22	27
WAS18PL		18	22	23.5	40.5	31	24	32
WAS22PL		22	27	27.5	44.5	37	27	36
WAS28PL	100 bar	28	32	30.5	48.5	42	36	41
WAS35PL		35	40	34.5	57.5	49	41	50
WAS42PL		42	46	40.0	63.5	57	50	60
WAS06PS	Heavy S	6	11	16.0	31.5	23	12	17
WAS08PS	630 bar	8	13	17.0	32.0	24	14	19
WAS10PS		10	15	17.5	34.5	25	17	22
WAS12PS		12	17	21.5	38.0	29	19	24
WAS16PS	400 bar	16	21	24.5	43.5	33	24	30
WAS20PS		20	26	26.5	49.0	37	27	36
WAS25PS		25	31	30.0	55.0	42	36	46
WAS30PS	250 bar	30	36	35.5	63.5	49	41	50
WAS38PS		38	44	41.0	72.5	57	50	60

ATAUFF HYDRAULIC STORE

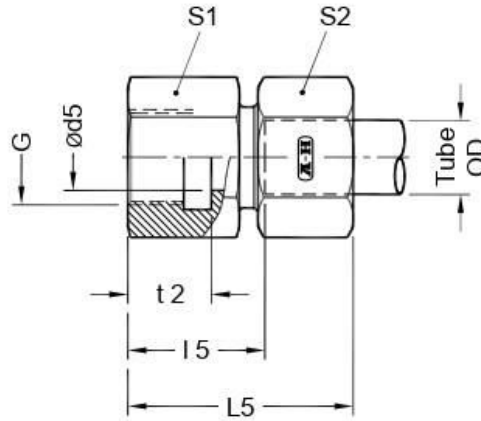
Straight Female Couplings

GAI-G

Dimensions in mm

DIN Fittings

Metric Tube end as per ISO 8434
Female BSPP (G) threads



Part No.	Series	Tube od	G	ød5	t 2	l 5	L 5	S 1	S 2
GAI06PLG	Light L 250 bar	6	G 1/8	4	12.0	19.0	34.5	14	14
GAI08PLG		8	G 1/4	6	17.0	24.0	39.0	19	17
GAI10PLG		10	G 1/4	8	17.0	25.0	40.5	19	19
GAI12PLG		12	G 3/8	10	17.0	26.0	41.0	24	22
GAI15PLG		15	G 1/2	12	20.0	31.0	47.0	27	27
GAI18PLG	160 bar	18	G 1/2	15	20.0	30.5	47.5	27	32
GAI22PLG		22	G 3/4	19	22.0	35.5	52.5	36	36
GAI28PLG	100 bar	28	G 1	24	24.5	38.0	56.0	41	41
GAI35PLG		35	G1.1/4	30	26.5	41.0	64.0	55	50
GAI42PLG		42	G1.1/2	36	28.5	42.5	66.0	60	60
GAI06PSG	Heavy S 630 bar	6	G 1/4	4	17.0	26.0	41.5	19	17
GAI08PSG		8	G 1/4	5	17.0	26.0	41.0	19	19
GAI10PSG		10	G 3/8	7	17.0	26.5	43.5	24	22
GAI12PSG		12	G 3/8	8	17.0	26.5	43.0	24	24
GAI16PSG	400 bar	16	G 1/2	12	20.0	31.5	50.5	30	30
GAI20PSG		20	G 3/4	16	22.0	34.5	57.0	36	36
GAI25PSG		25	G 1	20	24.5	37.5	62.5	41	46
GAI30PSG	250 bar	30	G 1.1/4	25	26.5	42.0	70.0	55	50
GAI38PSG		38	G 1.1/2	32	28.5	43.5	75.0	60	60

ATAUFF HYDRAULIC STORE

Straight Female Couplings

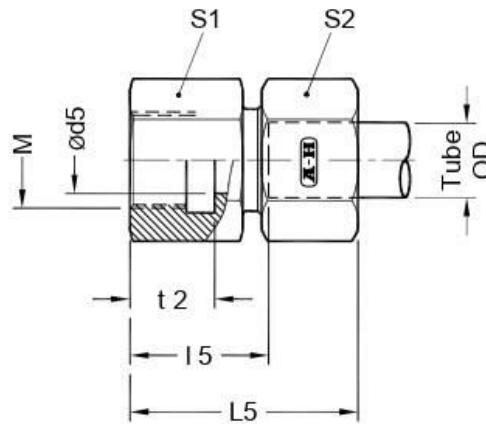
GAI-M

Dimensions in mm

DIN Fittings

Metric Tube end as per ISO 8434

Female Metric (M) threads



*

Part No.	Series	Tube od	M	ød5	t 2	I 5	L 5	S1	S2
GAI06PLM	Light L 250 bar	6	M10 x 1.0	4	12.5	19.5	35.0	14	14
GAI08PLM		8	M12 x 1.5	6	17	24.0	39.0	17	17
GAI10PLM		10	M14 x 1.5	8	17	25.0	40.5	19	19
GAI12PLM		12	M16 x 1.5	10	17	26.0	41.0	22	22
GAI15PLM		15	M18 x 1.5	12	17	28.0	44.0	24	27
GAI18PLM	160 bar	18	M22 x 1.5	15	19	29.5	46.5	30	32
GAI22PLM		22	M26 x 1.5	19	21	34.5	51.5	32	36
GAI28PLM		100 bar	28	M33 x 2.0	24	24	37.5	55.5	41
GAI35PLM	35		M42 x 2.0	30	26	40.5	63.5	55	50
GAI42PLM	42		M48 x 2.0	36	28	42.0	65.5	60	60
GAI06PSM	Heavy S 630 bar		6	M12 x 1.5	4	17	26.0	41.5	17
GAI08PSM		8	M14 x 1.5	5	17	26.0	41.0	19	19
GAI10PSM		10	M16 x 1.5	7	17	26.5	43.5	22	22
GAI12PSM		12	M18 x 1.5	8	17	27.5	44.0	24	24
GAI16PSM		400 bar	16	M22 x 1.5	12	19	30.5	49.5	30
GAI20PSM	20		M27 x 2.0	16	22	34.5	57.0	36	36
GAI25PSM	25		M33 x 2.0	20	24	37.0	62.0	41	46
GAI30PSM	250 bar	30	M42 x 2.0	25	26	41.5	69.5	55	50
GAI38PSM		38	M48 x 2.0	32	28	43.0	74.5	60	60

ATAUFF HYDRAULIC STORE

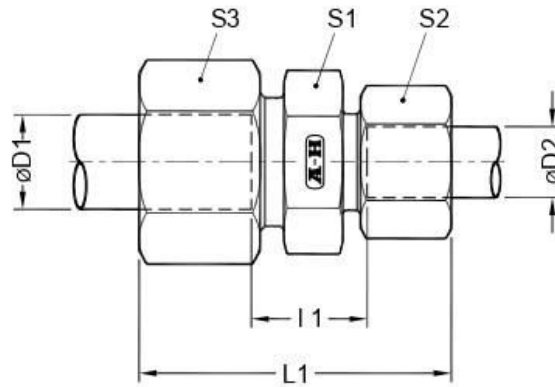
Straight Reducers

GR-L

Dimensions in mm

DIN Fittings

Metric Tube end as per ISO 8434



Low Pressure Series

Part No.	Pr (bar)	ØD1	ØD2	l1	L1	S1	S2	S3
GR0604PLL	100	6	4	10.5	32	12	10	12
GR0804PLL		8	4	12.5	34	12	10	14
GR0806PLL		8	6	11.0	34	12	12	14
GR0806PL	315	8	6	11.0	41.5	14	14	17
GR1006PL	315	10	6	12.0	43.0	17	14	19
GR1008PL		10	8	12.0	42.5	17	17	19
GR1206PL	315	12	6	13.0	43.5	19	14	22
GR1208PL		12	8	13.0	43.0	19	17	22
GR1210PL		12	10	14.0	44.5	19	19	22
GR1510PL	315	15	10	15.0	46.5	24	19	27
GR1512PL		15	12	15.0	46.0	24	22	27
GR1810PL	315	18	10	15.5	48.0	27	19	32
GR1812PL		18	12	15.5	47.5	27	22	32
GR1815PL		18	15	16.5	49.5	27	27	32
GR2212PL	160	22	12	17.5	49.5	32	22	36
GR2215PL		22	15	18.5	51.5	32	27	36
GR2218PL		22	18	18.0	52.0	32	32	36
GR2818PL	160	28	18	19.0	54.0	41	32	41
GR2822PL		28	22	21.0	56.0	41	36	41
GR3522PL	160	35	22	21.0	61.0	46	36	50
GR3528PL		35	28	21.0	62.0	46	41	50

ATAUFF HYDRAULIC STORE

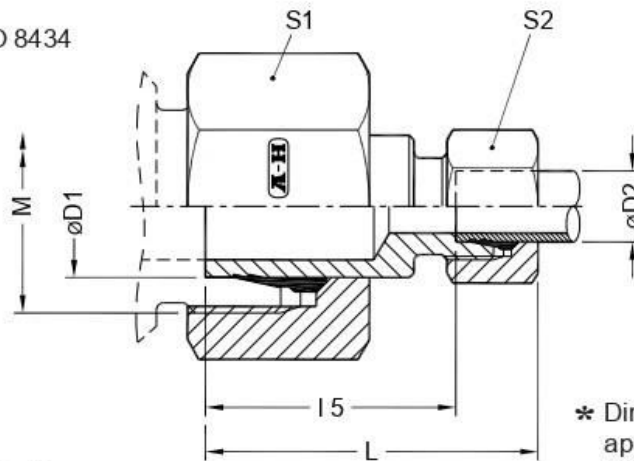
Reducing Standpipes

KOR-L

Dimensions in mm

DIN Fittings

Metric Tube end as per ISO 8434



* Dimensions given are approx figures with tightened nut.

Low Pressure Series

Part No.	Series	$\varnothing D1$	$\varnothing D2$	M	I5	L *	S1	S2
KOR0806PL	250 bar	8	6	M14 x 1.5	23.5	39.0	17	14
KOR1006PL	250 bar	10	6	M16 x 1.5	23.5	39.0	19	14
KOR1008PL		10	8	M16 x 1.5	23.5	38.5	19	17
KOR1206PL	250 bar	12	6	M18 x 1.5	23.5	39.0	22	14
KOR1208PL		12	8	M18 x 1.5	23.5	38.5	22	17
KOR1210PL		12	10	M18 x 1.5	24.5	40.0	22	19
KOR1506PL	250 bar	15	6	M22 x 1.5	23.5	39.0	27	14
KOR1508PL		15	8	M22 x 1.5	23.5	38.5	27	17
KOR1510PL		15	10	M22 x 1.5	24.5	40.0	27	19
KOR1512PL		15	12	M22 x 1.5	24.5	39.5	27	22
KOR1806PL	160 bar	18	6	M26 x 1.5	24.5	40.0	32	14
KOR1808PL		18	8	M26 x 1.5	24.5	39.5	32	17
KOR1810PL		18	10	M26 x 1.5	25.5	41.0	32	19
KOR1812PL		18	12	M26 x 1.5	25.5	40.5	32	22
KOR1815PL		18	15	M26 x 1.5	26.5	42.5	32	27
KOR2206PL	160 bar	22	6	M30 x 2.0	25.5	41.0	36	14
KOR2208PL		22	8	M30 x 2.0	25.5	40.5	36	17
KOR2210PL		22	10	M30 x 2.0	26.5	42.0	36	19
KOR2212PL		22	12	M30 x 2.0	26.5	41.5	36	22
KOR2215PL		22	15	M30 x 2.0	27.5	43.5	36	27
KOR2218PL		22	18	M30 x 2.0	27.0	44.0	36	32
KOR2806PL	100 bar	28	6	M36 x 2.0	26.5	42.0	41	14
KOR2808PL		28	8	M36 x 2.0	26.5	41.5	41	17
KOR2810PL		28	10	M36 x 2.0	27.5	43.0	41	19
KOR2812PL		28	12	M36 x 2.0	27.5	42.5	41	22
KOR2815PL		28	15	M36 x 2.0	28.5	44.5	41	27
KOR2818PL		28	18	M36 x 2.0	28.0	45.0	41	32
KOR2822PL		28	22	M36 x 2.0	30.0	47.0	41	36

ATAUFF HYDRAULIC STORE

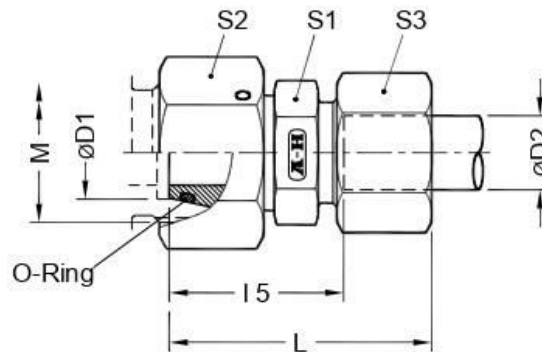
Reducing Standpipes with O-Ring

RED-L

Dimensions in mm

DIN Fittings

Metric Tube end as per ISO 8434



Low Pressure Series

*

Part No.	Series	ØD1	ØD2	M	I5	L	S1	S2	S3	O' Ring I.Dx C.S.D.
RED0806PL	315 bar	8	6	M14 x 1.5	23.5	39.0	12	17	14	6.0 x 1.5
RED1006PL	315 bar	10	6	M16 x 1.5	25.0	40.5	14	19	14	7.5 x 1.5
RED1008PL		10	8	M16 x 1.5	25.0	40.0	14	19	17	
RED1206PL	315 bar	12	6	M18 x 1.5	25.0	40.5	17	22	14	9.0 x 1.5
RED1208PL		12	8	M18 x 1.5	25.0	40.0	17	22	17	
RED1210PL		12	10	M18 x 1.5	26.0	41.5	17	22	19	
RED1506PL	315 bar	15	6	M22 x 1.5	28.5	44.0	19	27	14	12 x 2.0
RED1508PL		15	8	M22 x 1.5	28.5	43.5	19	27	17	
RED1510PL		15	10	M22 x 1.5	29.5	45.0	19	27	19	
RED1512PL		15	12	M22 x 1.5	29.5	44.5	19	27	22	
RED1806PL	315 bar	18	6	M26 x 1.5	28.0	43.5	24	32	14	15.0 x 2.0
RED1808PL		18	8	M26 x 1.5	28.0	43.0	24	32	17	
RED1810PL		18	10	M26 x 1.5	29.0	44.5	24	32	19	
RED1812PL		18	12	M26 x 1.5	29.0	44.0	24	32	22	
RED1815PL		18	15	M26 x 1.5	30.0	46.0	24	32	27	
RED2206PL	160 bar	22	6	M30 x 2.0	32.0	47.5	27	36	14	20.0 x 2.0
RED2208PL		22	8	M30 x 2.0	32.0	47.0	27	36	17	
RED2210PL		22	10	M30 x 2.0	33.0	48.5	27	36	19	
RED2212PL		22	12	M30 x 2.0	33.0	48.0	27	36	22	
RED2215PL		22	15	M30 x 2.0	34.0	50.0	27	36	27	
RED2218PL		22	18	M30 x 2.0	33.5	50.5	27	36	32	

ATAUFF HYDRAULIC STORE

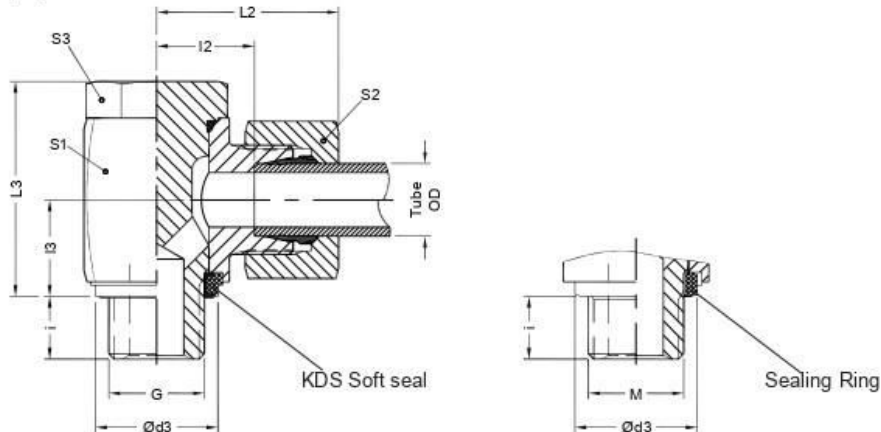
Banjo Elbow

WH-GE

Dimensions in mm

DIN Fittings

Metric Tube end as per ISO 8434
Male stud - BSPP (G) threads



Part No. (With KDS Soft seal)	Part No. (With sealing ring)	Series	Tube od	BSP thread G	Ød3	i	I 2	I 3	* L2	L3	S1	S2	S3	
WH06PLGE	WH06PLG	Light L	6	G 1/8A	14.9	8	13.0	10.0	28.5	21.0	17	14	14	
WH06PLG02E	WH06PLG02		6	G 1/4A	18.9	12	15.0	13.5	30.5	27.0	22	14	19	
WH08PLGE	WH08PLG		8	G 1/4A	18.9	12	14.0	13.5	29.0	27.0	22	17	19	
WH10PLGE	WH10PLG		10	G 1/4A	18.9	12	15.0	13.5	30.5	27.0	22	19	19	
WH12PLG02E	WH12PLG02		12	G 1/4A	18.9	10	15.0	15.5	30.0	30.0	22	22	19	
WH12PLGE	WH12PLG		12	G 3/8A	21.9	12	17.5	16.0	32.5	32.5	24	22	22	
WH15PLGE	WH15PLG		15	G 1/2A	26.9	14	21.0	19.5	37.0	43.0	30	27	27	
WH18PLGE	WH18PLG		18	G 1/2A	26.9	14	20.5	21.5	37.5	43.0	30	32	27	
WH22PLGE	WH22PLG		22	G 3/4A	32.9	16	27.0	24.0	44.0	48.0	36	36	32	
WH28PLGE	WH28PLG		28	G1A	39.9	18	31.5	30.5	49.5	59.0	46	41	41	
WH35PLGE	WH35PLG	160 bar	35	G1.1/4A	49.9	20	35.5	35.5	58.5	70.0	55	50	50	
WH42PLGE	WH42PLG		42	G1.1/2A	55.9	22	40.0	40.5	63.5	80.0	65	60	55	
WH06PSGE	WH06PSG		Heavy	6	G 1/4A	18.9	12	16.0	13.5	31.5	27.0	22	17	19
WH08PSGE	WH08PSG			8	G 1/4A	18.9	12	16.0	13.5	31.0	27.0	22	19	19
WH10PSGE	WH10PSG			10	G 3/8A	21.9	12	18.0	16.0	35.0	32.5	24	22	22
WH12PSGE	WH12PSG			12	G 3/8A	21.9	12	18.0	16.0	34.5	32.5	24	24	22
WH16PSGE	WH16PSG			16	G 1/2A	26.9	14	21.5	21.5	40.5	43.0	30	30	27
WH20PSGE	WH20PSG			20	G 3/4A	32.9	16	26.0	24.0	48.5	48.0	36	36	32
WH25PSGE	WH25PSG			25	G1A	39.9	18	31.0	30.5	56.0	59.0	46	46	41
WH30PSGE	WH30PSG			30	G1.1/4A	49.9	20	36.5	35.5	64.5	70.0	55	50	50
WH38PSGE	WH38PSG	250 bar		38	G1.1/2A	55.9	22	41.0	40.5	72.5	80.0	65	60	55

ATAUFF HYDRAULIC STORE

Banjo Elbow

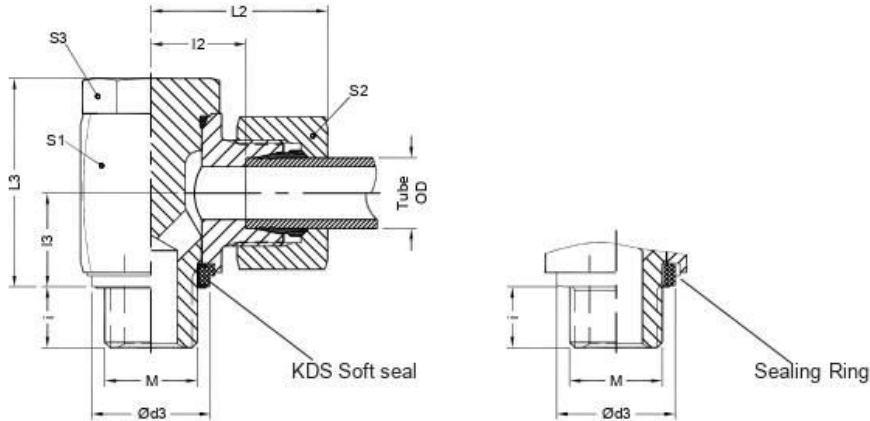
WH-ME

Dimensions in mm

DIN Fittings

Metric Tube end as per ISO 8434

Male stud - Metric (M) threads



Part No. (With KDS Soft seal)	Part No. (With sealing ring)	Series	Tube od	Metric thread M	Ød3	i	l2	l3	* L2	L3	S1	S2	S3
WH06PLME	WH06PLM	Light L 350 bar	6	M10x1.0	14.9	8	13.0	10.0	28.5	21.0	17	14	14
WH08PLME	WH08PLM		8	M12x1.5	17.9	12	14.0	13.5	29.0	27.0	22	17	19
WH10PLME	WH10PLM		10	M14x1.5	19.9	12	15.0	13.5	30.5	27.0	22	19	19
WH12PLME	WH12PLM		12	M16x1.5	21.9	12	17.5	16.0	32.5	32.5	24	22	22
WH12PLM18E	WH12PLM18		12	M18x1.5	23.9	12	20.0	18.5	35.0	37.0	27	22	24
WH15PLME	WH15PLM		15	M18x1.5	23.9	12	20.0	18.5	36.0	37.0	27	27	24
WH18PLME	WH18PLM		18	M22x1.5	27.9	14	20.5	21.5	37.5	43.0	30	32	27
WH22PLME	WH22PLM		22	M26x1.5	31.9	16	27.0	24.0	44.0	48.0	36	36	32
WH28PLME	WH28PLM		28	M33x2.0	39.9	18	31.5	30.5	49.5	59.0	46	41	41
WH35PLME	WH35PLM	160 bar	35	M42x2.0	49.9	20	35.5	35.5	58.5	70.0	55	50	50
WH42PLME	WH42PLM		42	M48x2.0	55.9	22	40.0	40.5	63.5	80.0	65	60	55
WH06PSME	WH06PSM	Heavy 350 bar	6	M12x1.5	17.9	12	16.0	13.5	31.5	27.0	22	17	19
WH08PSME	WH08PSM		8	M14x1.5	19.9	12	16.0	13.5	31.0	27.0	22	19	19
WH10PSME	WH10PSM		10	M16x1.5	21.9	12	18.0	16.0	35.0	32.5	24	22	22
WH12PSME	WH12PSM		12	M18x1.5	23.9	12	19.5	18.5	36.0	37.0	27	24	24
WH16PSME	WH16PSM		16	M22x1.5	27.9	14	21.5	21.5	40.5	43.0	30	30	27
WH20PSME	WH20PSM		20	M27x2.0	31.9	16	26.0	24.0	48.5	48.0	36	36	32
WH25PSME	WH25PSM		25	M33x2.0	39.9	18	31.0	30.5	56.0	59.0	46	46	41
WH30PSME	WH30PSM		30	M42x2.0	49.9	20	36.5	35.5	64.5	70.0	55	50	50
WH38PSME	WH38PSM	250 bar	38	M48x2.0	55.9	22	41.0	40.5	72.5	80.0	65	60	55

ATAUFF HYDRAULIC STORE

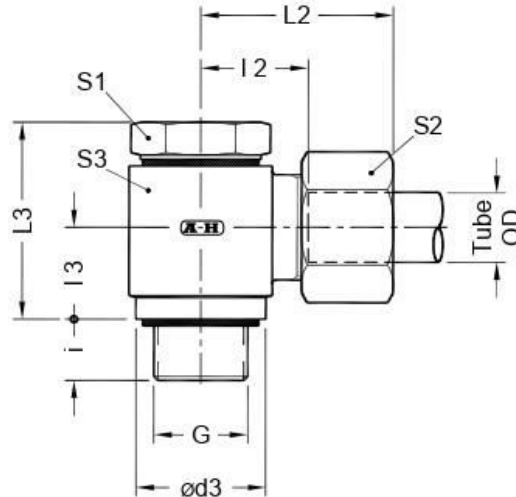
Banjo Couplings

HSWV-G

Dimensions in mm

DIN Fittings

Metric Tube end as per ISO 8434
Male stud - BSPP (G) threads



Part No.	Series	Tube od	BSP thread G	ød3	i	I 2	I 3	* L2	L3	S1	S2	S3
HSWV06PLG	Light L 250 bar	6	G 1/8 A	15	8	12.5	12.0	27.5	28.0	19	14	19
HSWV08PLG		8	G 1/4 A	20	12	14.0	15.0	29.0	33.0	19	17	22
HSWV10PLG		10	G 1/4 A	20	12	15.0	15.0	31.0	33.0	19	19	22
HSWV12PLG	100 bar	12	G 3/8 A	24	12	17.5	18.0	32.5	40.0	22	22	27
HSWV15PLG		15	G 1/2 A	29	14	20.0	21.0	36.0	45.0	27	27	30
HSWV18PLG		18	G 1/2 A	29	14	19.5	21.0	37.0	45.0	27	32	30
HSWV22PLG		22	G 3/4 A	35	16	27.0	24.0	44.5	53.0	32	36	41
HSWV28PLG	100 bar	28	G 1 A	43	18	29.5	29.5	48.0	63.5	41	41	46
HSWV35PLG		35	G1 1/4 A	53	20	35.0	33.0	57.5	74.0	50	50	55
HSWV42PLG		42	G1 1/2 A	59	22	40.0	38.5	63.0	83.0	60	60	70
HSWV06PSG	Heavy S 400 bar	6	G 1/4 A	20	12	16.0	15.0	31.0	33.0	19	17	22
HSWV08PSG		8	G 1/4 A	20	12	16.0	15.0	31.0	33.0	19	19	22
HSWV10PSG		10	G 3/8 A	24	12	18.0	18.0	35.5	40.0	22	22	27
HSWV12PSG	400 bar	12	G 3/8 A	24	12	18.0	18.0	34.5	40.0	22	24	27
HSWV16PSG		16	G 1/2 A	29	14	21.5	21.0	41.0	45.0	27	30	32
HSWV20PSG		20	G 3/4 A	35	16	28.0	24.0	50.5	53.0	32	36	41
HSWV25PSG	250 bar	25	G 1 A	43	18	31.0	29.5	56.0	63.5	41	46	50
HSWV30PSG		30	G1 1/4 A	53	20	36.5	33.0	65.0	74.0	50	50	60
HSWV38PSG		38	G1 1/2 A	59	22	41.0	38.5	73.0	83.0	60	60	70

ATAUFF HYDRAULIC STORE

Tee Banjo Couplings

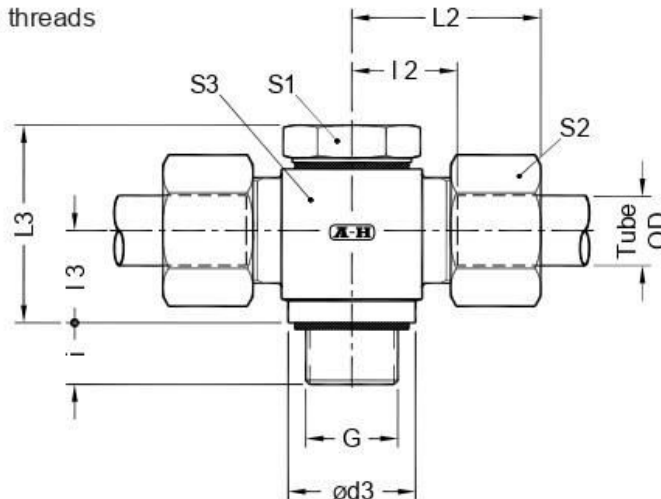
HSTV-G

Dimensions in mm

DIN Fittings

Metric Tube end as per ISO 8434

Male stud - BSPP (G) threads



Part No.	Series	Tube od	BSP thread G	ød3	i	I 2	I 3	* L2	L3	S1	S2	S3
HSTV06PLG	Light L 250 bar	6	G 1/8 A	15	8	12.5	12.0	27.5	28.0	19	14	19
HSTV08PLG		8	G 1/4 A	20	12	14.0	15.0	29.0	33.0	19	17	22
HSTV10PLG		10	G 1/4 A	20	12	15.0	15.0	31.0	33.0	19	19	22
HSTV12PLG		12	G 3/8 A	24	12	17.5	18.0	32.5	40.0	22	22	27
HSTV15PLG		15	G 1/2 A	29	14	20.0	21.0	36.0	45.0	27	27	30
HSTV18PLG	100 bar	18	G 1/2 A	29	14	19.5	21.0	37.0	45.0	27	32	30
HSTV22PLG		22	G 3/4 A	35	16	27.0	24.0	44.5	53.0	32	36	41
HSTV28PLG	100 bar	28	G 1 A	43	18	29.5	29.5	48.0	63.5	41	41	46
HSTV35PLG		35	G1 1/4 A	53	20	35.0	33.0	57.5	74.0	50	50	55
HSTV42PLG		42	G1 1/2 A	59	22	40.0	38.5	63.0	83.0	60	60	70
HSTV06PSG	Heavy S 400 bar	6	G 1/4 A	20	12	16.0	15.0	31.0	33.0	19	17	22
HSTV08PSG		8	G 1/4 A	20	12	16.0	15.0	31.0	33.0	19	19	22
HSTV10PSG		10	G 3/8 A	24	12	18.0	18.0	35.5	40.0	22	22	27
HSTV12PSG		12	G 3/8 A	24	12	18.0	18.0	34.5	40.0	22	24	27
HSTV16PSG	400 bar	16	G 1/2 A	29	14	21.5	21.0	41.0	45.0	27	30	32
HSTV20PSG		20	G 3/4 A	35	16	28.0	24.0	50.5	53.0	32	36	41
HSTV25PSG		25	G 1 A	43	18	31.0	29.5	56.0	63.5	41	46	50
HSTV30PSG	250 bar	30	G1 1/4 A	53	20	36.5	33.0	65.0	74.0	50	50	60
HSTV38PSG		38	G1 1/2 A	59	22	41.0	38.5	73.0	83.0	60	60	70

ATAUFF HYDRAULIC STORE

Banjo Couplings

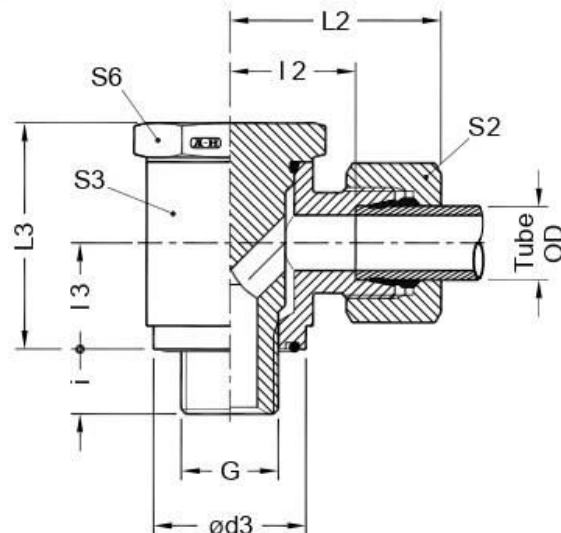
WHO-G

Dimensions in mm

DIN Fittings

Metric Tube end as per ISO 8434

Male stud - BSPP (G) threads



Part No.	Series	Tube od	BSP thread G	ød3	i	$I2$	$I3$	* $L2$	$L3$	$S2$	$S3$	$S6$
WHO06PLG	Light L 250 bar	6	G 1/8 A	18.0	8	15.0	11.0	30.5	25.0	14	19	19
WHO08PLG		8	G 1/4 A	22.5	12	17.5	14.5	32.5	33.0	17	24	24
WHO10PLG		10	G 1/4 A	22.5	12	18.5	14.5	34.0	33.0	19	24	24
WHO12PLG		12	G 3/8 A	27.0	12	21.5	18.0	36.5	39.0	22	27	27
WHO15PLG		15	G 1/2 A	32.0	14	25.0	20.0	41.0	44.0	27	32	32
WHO18PLG	100 bar	18	G 1/2 A	33.0	14	25.5	23.0	42.5	49.0	32	36	36
WHO22PLG		22	G 3/4 A	41.0	16	33.0	25.5	50.0	55.5	36	46	41
WHO28PLG	100 bar	28	G 1 A	46.0	18	35.5	31.0	53.5	66.0	41	50	46
WHO35PLG		35	G1 1/4 A	57.0	20	39.5	34.0	62.5	76.0	50	60	60
WHO42PLG		42	G1 1/2 A	64.0	22	44.0	40.0	67.5	86.0	60	70	65
WHO06PSG	Heavy S 400 bar	6	G 1/4 A	22.5	12	19.5	14.5	35.0	33.0	17	24	24
WHO08PSG		8	G 1/4 A	22.5	12	19.5	14.5	34.5	33.0	19	24	24
WHO10PSG		10	G 3/8 A	27.0	12	22.0	18.0	39.0	39.0	22	27	27
WHO12PSG		12	G 3/8 A	27.0	12	22.0	18.0	38.5	39.0	24	27	27
WHO16PSG		400 bar	16	G 1/2 A	33.0	14	26.5	23.0	45.5	49.0	30	36
WHO20PSG	20		G 3/4 A	41.0	16	32.0	25.5	54.5	55.5	36	46	41
WHO25PSG	25		G 1 A	46.0	18	35.0	31.0	60.0	66.0	46	50	46
WHO30PSG	250 bar	30	G1 1/4 A	57.0	20	40.5	34.0	68.5	76.0	50	60	60
WHO38PSG		38	G1 1/2 A	64.0	22	45.0	40.0	76.5	86.0	60	70	65

ATAUFF HYDRAULIC STORE

Throttle-free Banjo Couplings

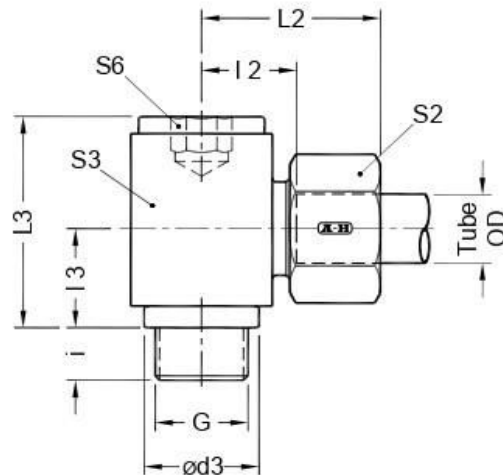
DSVW-G

Dimensions in mm

DIN Fittings

Metric Tube end as per ISO 8434

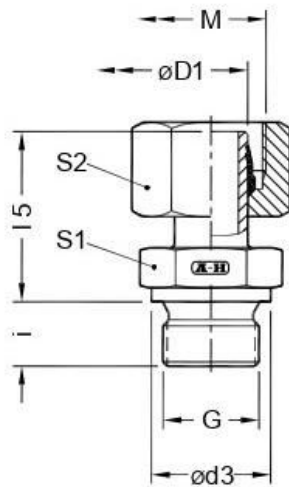
Male stud - BSPP (G) threads



Part No.	Series	Tube od	BSP thread G	ød3	i	I 2	I 3	* L2	L3	S2	S3	S6
DSVW06PLG	Light L 250 bar	6	G 1/8 A	14	8	12.5	12	28.0	24	14	19	6
DSVW08PLG		8	G 1/4 A	18	12	14.5	16	29.5	30	17	22	8
DSVW10PLG		10	G 1/4 A	18	12	15.5	16	31.0	30	19	22	8
DSVW12PLG		12	G 3/8 A	22	12	18.5	18	33.5	37	22	27	10
DSVW15PLG		15	G 1/2 A	26	14	22.0	21	38.0	42	27	32	12
DSVW18PLG	100 bar	18	G 1/2 A	26	14	21.5	23	38.5	46	32	36	12
DSVW22PLG		22	G 3/4 A	32	16	28.5	28	45.5	58	36	46	17
DSVW28PLG	100 bar	28	G 1 A	39	18	31.5	32	49.5	64	41	50	22
DSVW35PLG		35	G1 1/4 A	49	20	35.5	37	58.5	76	50	60	27
DSVW42PLG		42	G1 1/2 A	55	22	40.0	42	63.5	85	60	70	32
DSVW06PSG	Heavy S 400 bar	6	G 1/4 A	18	12	16.5	16	32.0	30	17	22	8
DSVW08PSG		8	G 1/4 A	18	12	16.5	16	31.5	30	19	22	8
DSVW10PSG		10	G 3/8 A	22	12	18.5	18	35.5	37	22	27	10
DSVW12PSG		12	G 3/8 A	22	12	18.5	18	35.0	37	24	27	10
DSVW16PSG	400 bar	16	G 1/2 A	26	14	22.5	23	41.5	46	30	32	12
DSVW20PSG		20	G 3/4 A	32	16	27.5	28	50.0	58	36	46	17
DSVW25PSG		25	G 1 A	39	18	31.0	32	56.0	64	46	50	22
DSVW30PSG	250 bar	30	G1 1/4 A	49	20	36.5	37	64.5	76	50	60	27
DSVW38PSG		38	G1 1/2 A	55	22	41.0	42	72.5	85	60	70	32

ATAUFF HYDRAULIC STORE

Metric Standpipe
Male stud - BSPP (G) threads



Part No.	Series	Tube od øD1	G Male BSP thread	M	ø d3	i	15	S1	S2
EVGE06PLG	Light L 250 bar	6	G 1/8 A	M12 x 1.5	14	8	24.5	14	14
EVGE08PLG		8	G 1/4 A	M14 x 1.5	18	12	29.5	19	17
EVGE10PLG		10	G 1/4 A	M16 x 1.5	18	12	27.5	19	19
EVGE12PLG		12	G 3/8 A	M18 x 1.5	22	12	34.0	22	22
EVGE15PLG		15	G 1/2 A	M22 x 1.5	26	14	32.0	27	27
EVGE18PLG	160 bar	18	G 1/2 A	M26 x 1.5	26	14	31.5	27	32
EVGE22PLG		22	G 3/4 A	M30 x 2.0	32	16	32.5	32	36
EVGE28PLG	100 bar	28	G 1 A	M36 x 2.0	39	18	35.0	41	41
EVGE35PLG		35	G1 1/4 A	M45 x 2.0	49	20	42.5	50	50
EVGE42PLG		42	G1 1/2 A	M52 x 2.0	55	22	46.5	55	60
EVGE06PSG	Heavy S 630 bar	6	G 1/4 A	M14 x 1.5	18	12	27.0	19	17
EVGE08PSG		8	G 1/4 A	M16 x 1.5	18	12	29.5	19	19
EVGE10PSG		10	G 3/8 A	M18 x 1.5	22	12	32.0	22	22
EVGE12PSG		12	G 3/8 A	M20 x 1.5	22	12	34.0	22	24
EVGE16PSG	400 bar	16	G 1/2 A	M24 x 1.5	26	14	37.0	27	30
EVGE20PSG		20	G 3/4 A	M30 x 2.0	32	16	43.0	32	36
EVGE25PSG		25	G 1 A	M36 x 2.0	39	18	48.0	41	46
EVGE30PSG	250 bar	30	G1 1/4 A	M42 x 2.0	49	20	51.0	50	50
EVGE38PSG		38	G1 1/2 A	M52 x 2.0	55	22	60.0	55	60

ATAUFF HYDRAULIC STORE

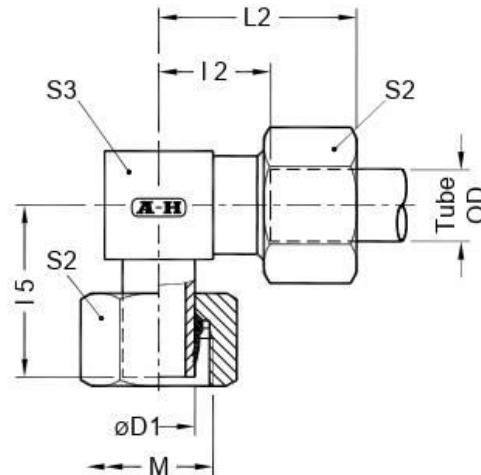
Swivel Elbow Couplings

EVW

Dimensions in mm

DIN Fittings

Metric Tube end as per ISO 8434



Part No.	Series	Tube od (øD1)	M	I2	I5	* L2	S2	S3
EVW06PL	Light L 250 bar	6	M12 x 1.5	12.0	26.0	27.5	14	12
EVW08PL		8	M14 x 1.5	14.0	27.5	29.0	17	14
EVW10PL		10	M16 x 1.5	15.0	29.0	30.5	19	17
EVW12PL		12	M18 x 1.5	17.0	29.5	32.0	22	19
EVW15PL		15	M22 x 1.5	21.0	32.5	37.0	27	22
EVW18PL	160 bar	18	M26 x 1.5	23.5	35.5	40.5	32	27
EVW22PL		22	M30 x 2.0	27.5	38.5	44.5	36	30
EVW28PL	100 bar	28	M36 x 2.0	30.5	41.5	48.5	41	36
EVW35PL		35	M45 x 2.0	34.5	51.0	57.5	50	46
EVW42PL		42	M52 x 2.0	40.0	56.0	63.5	60	55
EVW06PS	Heavy S 630 bar	6	M14 x 1.5	16.0	27.0	31.5	17	14
EVW08PS		8	M16 x 1.5	17.0	27.5	32.0	19	17
EVW10PS		10	M18 x 1.5	17.5	30.0	34.5	22	19
EVW12PS		12	M20 x 1.5	21.5	31.0	38.0	24	22
EVW16PS	400 bar	16	M24 x 1.5	24.5	36.5	43.5	30	24
EVW20PS		20	M30 x 2.0	26.5	44.5	49.0	36	30
EVW25PS		25	M36 x 2.0	30.0	50.0	55.0	46	36
EVW30PS	250 bar	30	M42 x 2.0	35.5	55.0	63.5	50	46
EVW38PS		38	M52 x 2.0	41.0	63.0	72.5	60	55

ATAUFF HYDRAULIC STORE

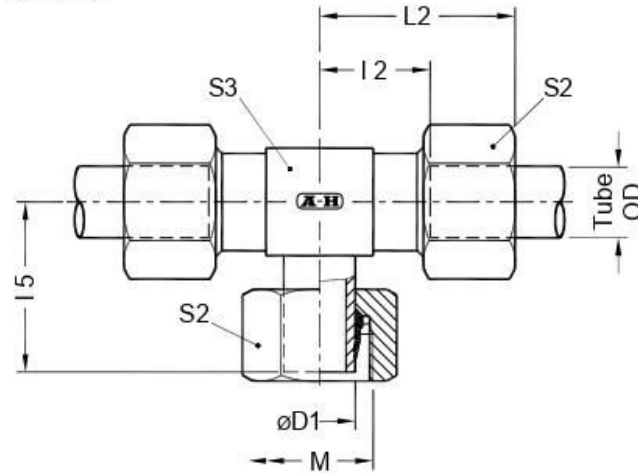
Swivel Branch Tee Couplings

EVT

Dimensions in mm

DIN Fittings

Metric Tube end as per ISO 8434



Part No.	Series	Tube od (øD1)	M	I2	I5	* L2	S2	S3
EVT06PL	Light L 250 bar	6	M12 x 1.5	12.0	26.0	27.5	14	12
EVT08PL		8	M14 x 1.5	14.0	27.5	29.0	17	14
EVT10PL		10	M16 x 1.5	15.0	29.0	30.5	19	17
EVT12PL		12	M18 x 1.5	17.0	29.5	32.0	22	19
EVT15PL		15	M22 x 1.5	21.0	32.5	37.0	27	22
EVT18PL	160 bar	18	M26 x 1.5	23.5	35.5	40.5	32	27
EVT22PL		22	M30 x 2.0	27.5	38.5	44.5	36	30
EVT28PL	100 bar	28	M36 x 2.0	30.5	41.5	48.5	41	36
EVT35PL		35	M45 x 2.0	34.5	51.0	57.5	50	46
EVT42PL		42	M52 x 2.0	40.0	56.0	63.5	60	55
EVT06PS	Heavy S 630 bar	6	M14 x 1.5	16.0	27.0	31.5	17	14
EVT08PS		8	M16 x 1.5	17.0	27.5	32.0	19	17
EVT10PS		10	M18 x 1.5	17.5	30.0	34.5	22	19
EVT12PS		12	M20 x 1.5	21.5	31.0	38.0	24	22
EVT16PS	400 bar	16	M24 x 1.5	24.5	36.5	43.5	30	24
EVT20PS		20	M30 x 2.0	26.5	44.5	49.0	36	30
EVT25PS		25	M36 x 2.0	30.0	50.0	55.0	46	36
EVT30PS	250 bar	30	M42 x 2.0	35.5	55.0	63.5	50	46
EVT38PS		38	M52 x 2.0	41.0	63.0	72.5	60	55

ATAUFF HYDRAULIC STORE

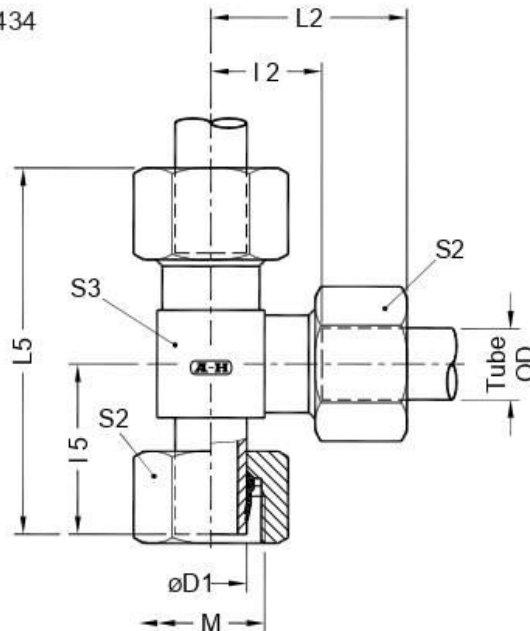
Swivel Barrel Tee Couplings

EVL

Dimensions in mm

DIN Fittings

Metric Tube end as per ISO 8434



Part No.	Series	Tube od (ØD1)	M	I2	I5	* L2	* L5	S2	S3
EVL06PL	Light L 250 bar	6	M12 x 1.5	12.0	26.0	27.5	53.5	14	12
EVL08PL		8	M14 x 1.5	14.0	27.5	29.0	56.5	17	14
EVL10PL		10	M16 x 1.5	15.0	29.0	30.5	59.5	19	17
EVL12PL		12	M18 x 1.5	17.0	29.5	32.0	61.5	22	19
EVL15PL		15	M22 x 1.5	21.0	32.5	37.0	69.5	27	22
EVL18PL	160 bar	18	M26 x 1.5	23.5	35.5	40.5	76.0	32	27
EVL22PL		22	M30 x 2.0	27.5	38.5	44.5	83.0	36	30
EVL28PL	100 bar	28	M36 x 2.0	30.5	41.5	48.5	90.0	41	36
EVL35PL		35	M45 x 2.0	34.5	51.0	57.5	108.5	50	46
EVL42PL		42	M52 x 2.0	40.0	56.0	63.5	119.5	60	55
EVL06PS	Heavy S 630 bar	6	M14 x 1.5	16.0	27.0	31.5	58.5	17	14
EVL08PS		8	M16 x 1.5	17.0	27.5	32.0	59.5	19	17
EVL10PS		10	M18 x 1.5	17.5	30.0	34.5	64.5	22	19
EVL12PS		12	M20 x 1.5	21.5	31.0	38.0	69.0	24	22
EVL16PS	400 bar	16	M24 x 1.5	24.5	36.5	43.5	80.0	30	24
EVL20PS		20	M30 x 2.0	26.5	44.5	49.0	93.5	36	30
EVL25PS		25	M36 x 2.0	30.0	50.0	55.0	105.0	46	36
EVL30PS	250 bar	30	M42 x 2.0	35.5	55.0	63.5	118.5	50	46
EVL38PS		38	M52 x 2.0	41.0	63.0	72.5	135.5	60	55

ATAUFF HYDRAULIC STORE

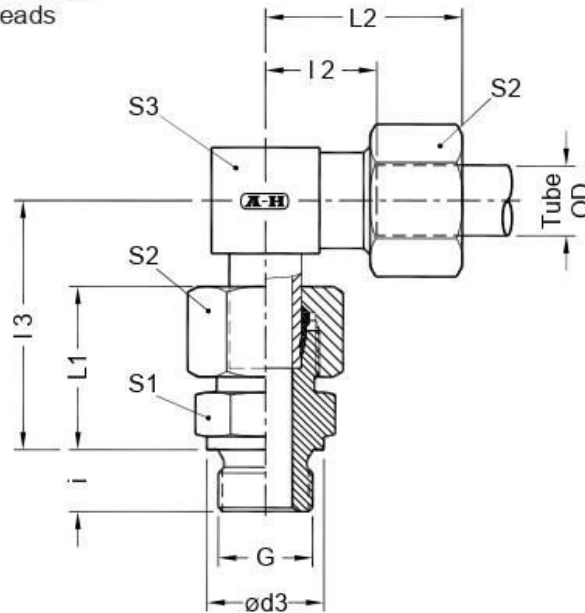
Swivel Stud Elbow Couplings

EVW-G

Dimensions in mm

DIN Fittings

Metric Tube end as per ISO 8434
Male stud - BSPP (G) threads



Part No.	Series	Tube od	G Male BSP thread	ød3	i	I 2	I 3	* L1	* L2	S1	S2	S3
EVW06PLG	Light L 250 bar	6	G 1/8	14	8	12.0	34.5	24.0	27.5	14	14	12
EVW08PLG		8	G 1/4	18	12	14.0	37.5	25.0	29.0	19	17	14
EVW10PLG		10	G 1/4	18	12	15.0	40.0	26.5	30.5	19	19	17
EVW12PLG		12	G 3/8	22	12	17.0	42.0	27.5	32.0	22	22	19
EVW15PLG		15	G 1/2	26	14	21.0	46.5	30.0	37.0	27	27	22
EVW18PLG	160 bar	18	G 1/2	26	14	23.5	50.0	31.5	40.5	27	32	27
EVW22PLG		22	G 3/4	32	16	27.5	55.0	33.5	44.5	32	36	30
EVW28PLG	100 bar	28	G 1	39	18	30.5	59.0	35.5	48.5	41	41	36
EVW35PLG		35	G1.1/4	49	20	34.5	68.5	40.5	57.5	50	50	46
EVW42PLG		42	G1.1/2	55	22	40.0	75.0	42.5	63.5	55	60	55
EVW06PSG	Heavy S 630 bar	6	G 1/4	18	12	16.0	40.0	28.5	31.5	19	17	14
EVW08PSG		8	G 1/4	18	12	17.0	42.5	30.0	32.0	19	19	17
EVW10PSG		10	G 3/8	22	12	17.5	45.0	32.0	34.5	22	22	19
EVW12PSG		12	G 3/8	22	12	21.5	48.0	33.5	38.0	22	24	22
EVW16PSG	400 bar	16	G 1/2	26	14	24.5	55.0	37.5	43.5	27	30	24
EVW20PSG		20	G 3/4	32	16	26.5	65.0	43.0	49.0	32	36	30
EVW25PSG		25	G 1	39	18	30.0	73.0	48.0	55.0	41	46	36
EVW30PSG	250 bar	30	G1.1/4	49	20	35.5	78.5	51.5	63.5	50	50	46
EVW38PSG		38	G1.1/2	55	22	41.0	89.0	57.5	72.5	55	60	55

ATAUFF HYDRAULIC STORE

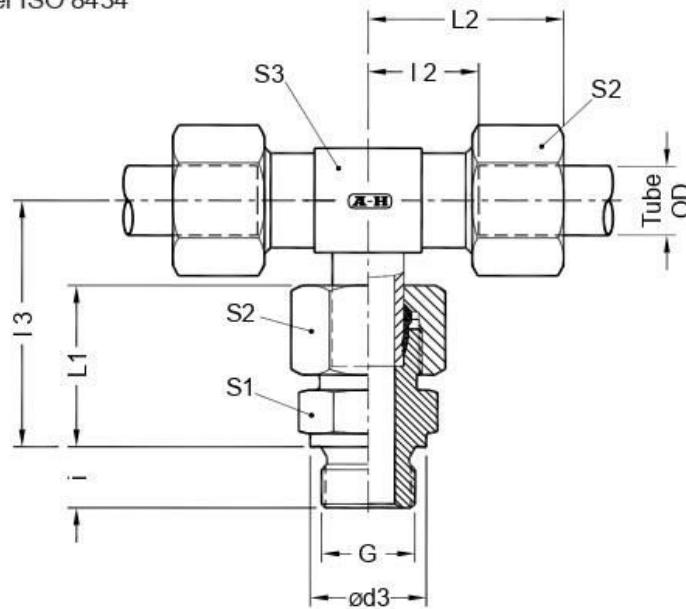
Swivel Stud Branch Tee Couplings

EVT-G

Dimensions in mm

DIN Fittings

Metric Tube end as per ISO 8434



Part No.	Series	Tube od	G Male BSP thread	ød3	i	L2	L3	* L1	* L2	S1	S2	S3
EVT06PLG	Light L 250 bar	6	G 1/8	14	8	12.0	34.5	24.0	27.5	14	14	12
EVT08PLG		8	G 1/4	18	12	14.0	37.5	25.0	29.0	19	17	14
EVT10PLG		10	G 1/4	18	12	15.0	40.0	26.5	30.5	19	19	17
EVT12PLG		12	G 3/8	22	12	17.0	42.0	27.5	32.0	22	22	19
EVT15PLG		15	G 1/2	26	14	21.0	46.5	30.0	37.0	27	27	22
EVT18PLG	160 bar	18	G 1/2	26	14	23.5	50.0	31.5	40.5	27	32	27
EVT22PLG		22	G 3/4	32	16	27.5	55.0	33.5	44.5	32	36	30
EVT28PLG		28	G 1	39	18	30.5	59.0	35.5	48.5	41	41	36
EVT35PLG	100 bar	35	G1.1/4	49	20	34.5	68.5	40.5	57.5	50	50	46
EVT42PLG		42	G1.1/2	55	22	40.0	75.0	42.5	63.5	55	60	55
EVT06PSG		Heavy S 630 bar	6	G 1/4	18	12	16.0	40.0	28.5	31.5	19	17
EVT08PSG	8		G 1/4	18	12	17.0	42.5	30.0	32.0	19	19	17
EVT10PSG	10		G 3/8	22	12	17.5	45.0	32.0	34.5	22	22	19
EVT12PSG	12		G 3/8	22	12	21.5	48.0	33.5	38.0	22	24	22
EVT16PSG	400 bar		16	G 1/2	26	14	24.5	55.0	37.5	43.5	27	30
EVT20PSG		20	G 3/4	32	16	26.5	65.0	43.0	49.0	32	36	30
EVT25PSG		25	G 1	39	18	30.0	73.0	48.0	55.0	41	46	36
EVT30PSG	250 bar	30	G1.1/4	49	20	35.5	78.5	51.5	63.5	50	50	46
EVT38PSG		38	G1.1/2	55	22	41.0	89.0	57.5	72.5	55	60	55

ATAUFF HYDRAULIC STORE

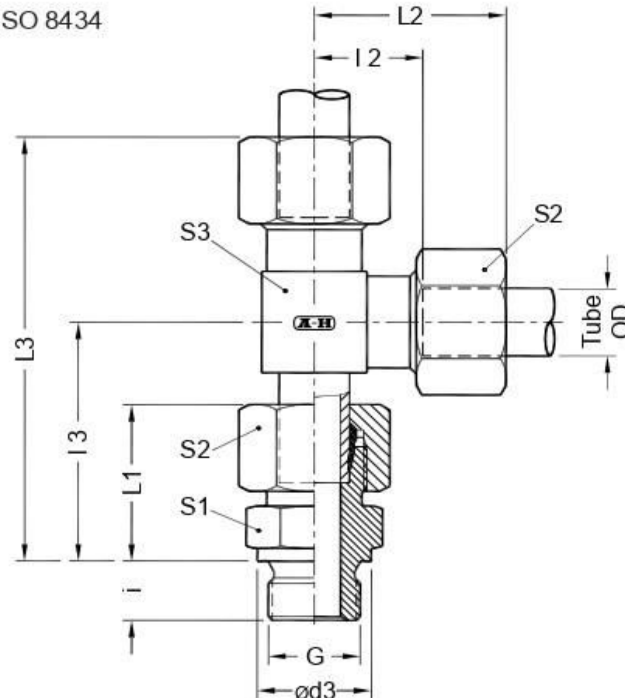
Swivel Stud Barrel Tee Couplings

EVL-G

Dimensions in mm

DIN Fittings

Metric Tube end as per ISO 8434



Part No.	Series	Tube od	G Male BSP thread	ød3	i	I 2	I 3	* L1	* L2	* L3	S1	S2	S3
EVL06PLG	Light L 250 bar	6	G 1/8	14	8	12.0	34.5	24.0	27.5	62.0	14	14	12
EVL08PLG		8	G 1/4	18	12	14.0	37.5	25.0	29.0	66.5	19	17	14
EVL10PLG		10	G 1/4	18	12	15.0	40.0	26.5	30.5	70.5	19	19	17
EVL12PLG		12	G 3/8	22	12	17.0	42.0	27.5	32.0	74.0	22	22	19
EVL15PLG		15	G 1/2	26	14	21.0	46.5	30.0	37.0	83.5	27	27	22
EVL18PLG	160 bar	18	G 1/2	26	14	23.5	50.0	31.5	40.5	90.5	27	32	27
EVL22PLG		22	G 3/4	32	16	27.5	55.0	33.5	44.5	99.5	32	36	30
EVL28PLG	100 bar	28	G 1	39	18	30.5	59.0	35.5	48.5	107.5	41	41	36
EVL35PLG		35	G1.1/4	49	20	34.5	68.5	40.5	57.5	126.0	50	50	46
EVL42PLG		42	G1.1/2	55	22	40.0	75.0	42.5	63.5	138.5	55	60	55
EVL06PSG	Heavy S 630 bar	6	G 1/4	18	12	16.0	40.0	28.5	31.5	71.5	19	17	14
EVL08PSG		8	G 1/4	18	12	17.0	42.5	30.0	32.0	74.5	19	19	17
EVL10PSG		10	G 3/8	22	12	17.5	45.0	32.0	34.5	79.5	22	22	19
EVL12PSG		12	G 3/8	22	12	21.5	48.0	33.5	38.0	86.0	22	24	22
EVL16PSG		400 bar	16	G 1/2	26	14	24.5	55.0	37.5	43.5	98.5	27	30
EVL20PSG	20		G 3/4	32	16	26.5	65.0	43.0	49.0	114.0	32	36	30
EVL25PSG	25		G 1	39	18	30.0	73.0	48.0	55.0	128.0	41	46	36
EVL30PSG	250 bar	30	G1.1/4	49	20	35.5	78.5	51.5	63.5	142.0	50	50	46
EVL38PSG		38	G1.1/2	55	22	41.0	89.0	57.5	72.5	161.5	55	60	55

ATAUFF HYDRAULIC STORE

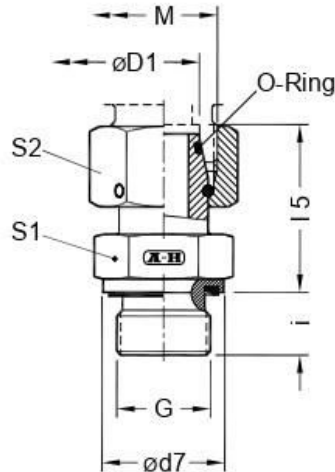
Straight Stud Standpipes with O-Ring

EGE-GE

Dimensions in mm

DIN Fittings

Metric Standpipe with Swivel Coupling nut
Male BSPP (G) threads, DIN 3852-11
with Elastomeric seal



Part No.	Series	Tube od øD1	G Male BSP thread	M	ød7	i	15	S1	S2	O - Ring ID x CSD
EGE06LGE	Light L 315 bar	6	G 1/8 A	M12 x 1.5	14	8	24.5	14	14	4.0 x 1.5
EGE08LGE		8	G 1/4 A	M14 x 1.5	19	12	29.5	19	17	6.0 x 1.5
EGE10LGE		10	G 1/4 A	M16 x 1.5	19	12	27.5	19	19	7.5 x 1.5
EGE12LGE		12	G 3/8 A	M18 x 1.5	22	12	34.0	22	22	9.0 x 1.5
EGE15LGE		15	G 1/2 A	M22 x 1.5	27	14	32.0	27	27	12.0 x 2.0
EGE18LGE		18	G 1/2 A	M26 x 1.5	27	14	31.5	27	32	15.0 x 2.0
EGE22LGE	160 bar	22	G 3/4 A	M30 x 2.0	32	16	32.5	32	36	20.0 x 2.0
EGE28LGE		28	G 1 A	M36 x 2.0	40	18	35.0	41	41	26.0 x 2.0
EGE35LGE		35	G1 1/4 A	M45 x 2.0	50	20	42.5	50	50	32.0 x 2.5
EGE42LGE		42	G1 1/2 A	M52 x 2.0	55	22	46.5	55	60	38.0 x 2.5
EGE06SGE	Heavy S 630 bar	6	G 1/4 A	M14 x 1.5	19	12	27.0	19	17	4.0 x 1.5
EGE08SGE		8	G 1/4 A	M16 x 1.5	19	12	29.5	19	19	6.0 x 1.5
EGE10SGE		10	G 3/8 A	M18 x 1.5	22	12	32.0	22	22	7.5 x 1.5
EGE12SGE		12	G 3/8 A	M20 x 1.5	22	12	34.0	22	24	9.0 x 1.5
EGE16SGE	400 bar	16	G 1/2 A	M24 x 1.5	27	14	37.0	27	30	12.0 x 2.0
EGE20SGE		20	G 3/4 A	M30 x 2.0	32	16	43.0	32	36	16.3 x 2.4
EGE25SGE		25	G 1 A	M36 x 2.0	40	18	48.0	41	46	20.3 x 2.4
EGE30SGE		30	G1 1/4 A	M42 x 2.0	50	20	51.0	50	50	25.3 x 2.4
EGE38SGE	315 bar	38	G1 1/2 A	M52 x 2.0	55	22	60.0	55	60	33.3 x 2.4

ATAUFF HYDRAULIC STORE

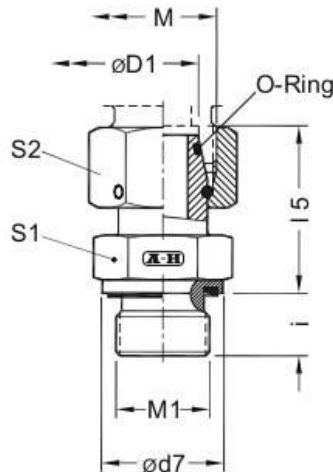
Straight Stud Standpipes with O-Ring

EGE-ME

Dimensions in mm

DIN Fittings

Metric Standpipe with Swivel Coupling nut
Male Metric (M) threads,
DIN 3852-11 / ISO 9974 Form E
with Elastomeric seal



Part No.	Series	Tube od øD1	M1 Male Metric thread	M	ød7	i	15	S1	S2	O - Ring ID x CSD
EGE06LME	Light L 315 bar	6	M10 x 1.0	M12 x 1.5	14	8	24.5	14	14	4.0 x 1.5
EGE08LME		8	M12 x 1.5	M14 x 1.5	17	12	29.5	17	17	6.0 x 1.5
EGE10LME		10	M14 x 1.5	M16 x 1.5	19	12	27.5	19	19	7.5 x 1.5
EGE12LME		12	M16 x 1.5	M18 x 1.5	22	12	30.5	22	22	9.0 x 1.5
EGE15LME		15	M18 x 1.5	M22 x 1.5	24	12	31.5	24	27	12.0 x 2.0
EGE18LME		18	M22 x 1.5	M26 x 1.5	27	14	31.5	27	32	15.0 x 2.0
EGE22LME	160 bar	22	M26 x 1.5	M30 x 2.0	32	16	32.5	32	36	20.0 x 2.0
EGE28LME		28	M33 x 2.0	M36 x 2.0	40	18	35.0	41	41	26.0 x 2.0
EGE35LME		35	M42 x 2.0	M45 x 2.0	50	20	42.5	50	50	32.0 x 2.5
EGE42LME		42	M48 x 2.0	M52 x 2.0	55	22	46.5	55	60	38.0 x 2.5
EGE06SME	Heavy S 630 bar	6	M12 x 1.5	M14 x 1.5	17	12	27.0	17	17	4.0 x 1.5
EGE08SME		8	M14 x 1.5	M16 x 1.5	19	12	29.5	19	19	6.0 x 1.5
EGE10SME		10	M16 x 1.5	M18 x 1.5	22	12	32.0	22	22	7.5 x 1.5
EGE12SME		12	M18 x 1.5	M20 x 1.5	24	12	34.0	24	24	9.0 x 1.5
EGE16SME	400 bar	16	M22 x 1.5	M24 x 1.5	27	14	37.0	27	30	12.0 x 2.0
EGE20SME		20	M27 x 2.0	M30 x 2.0	32	16	43.0	32	36	16.3 x 2.4
EGE25SME		25	M33 x 2.0	M36 x 2.0	40	18	48.0	41	46	20.3 x 2.4
EGE30SME		30	M42 x 2.0	M42 x 2.0	50	20	51.0	50	50	25.3 x 2.4
EGE38SME	315 bar	38	M48 x 2.0	M52 x 2.0	55	22	60.0	55	60	33.3 x 2.4

ATAUFF HYDRAULIC STORE

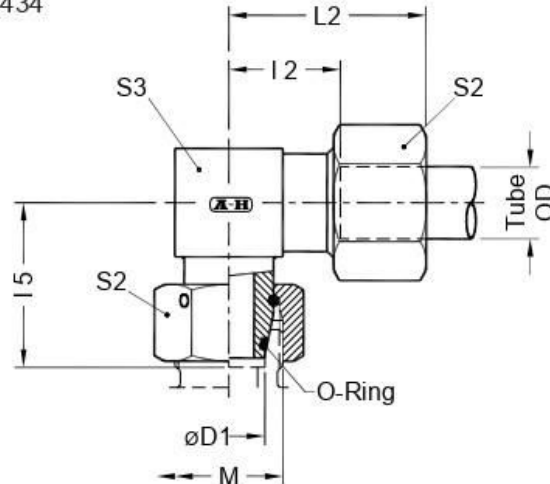
Swivel Elbow Couplings with O-Ring

EW

Dimensions in mm

DIN Fittings

Metric Tube end as per ISO 8434



Part No.	Series	Tube od (øD1)	M	I 2	I 5	* L2	S2	S3	O - Ring ID x CSD
EW06PL	Light L 315 bar	6	M12 x 1.5	12.0	26.0	27.5	14	12	4.0 x 1.5
EW08PL		8	M14 x 1.5	14.0	27.5	29.0	17	14	6.0 x 1.5
EW10PL		10	M16 x 1.5	15.0	29.0	30.5	19	17	7.5 x 1.5
EW12PL		12	M18 x 1.5	17.0	29.5	32.0	22	19	9.0 x 1.5
EW15PL		15	M22 x 1.5	21.0	32.5	37.0	27	22	12.0 x 2.0
EW18PL		18	M26 x 1.5	23.5	35.5	40.5	32	27	15.0 x 2.0
EW22PL	160 bar	22	M30 x 2.0	27.5	38.5	44.5	36	30	20.0 x 2.0
EW28PL		28	M36 x 2.0	30.5	41.5	48.5	41	36	26.0 x 2.0
EW35PL		35	M45 x 2.0	34.5	51.0	57.5	50	46	32.0 x 2.5
EW42PL		42	M52 x 2.0	40.0	56.0	63.5	60	55	38.0 x 2.5
EW06PS	Heavy S 630 bar	6	M14 x 1.5	16.0	27.0	31.5	17	14	4.0 x 1.5
EW08PS		8	M16 x 1.5	17.0	27.5	32.0	19	17	6.0 x 1.5
EW10PS		10	M18 x 1.5	17.5	30.0	34.5	22	19	7.5 x 1.5
EW12PS		12	M20 x 1.5	21.5	31.0	38.0	24	22	9.0 x 1.5
EW16PS	400 bar	16	M24 x 1.5	24.5	36.5	43.5	30	24	12.0 x 2.0
EW20PS		20	M30 x 2.0	26.5	44.5	49.0	36	30	16.3 x 2.4
EW25PS		25	M36 x 2.0	30.0	50	55.0	46	36	20.3 x 2.4
EW30PS		30	M42 x 2.0	35.5	55	63.5	50	46	25.3 x 2.4
EW38PS	315 bar	38	M52 x 2.0	41.0	63	72.5	60	55	33.3 x 2.4

ATAUFF HYDRAULIC STORE

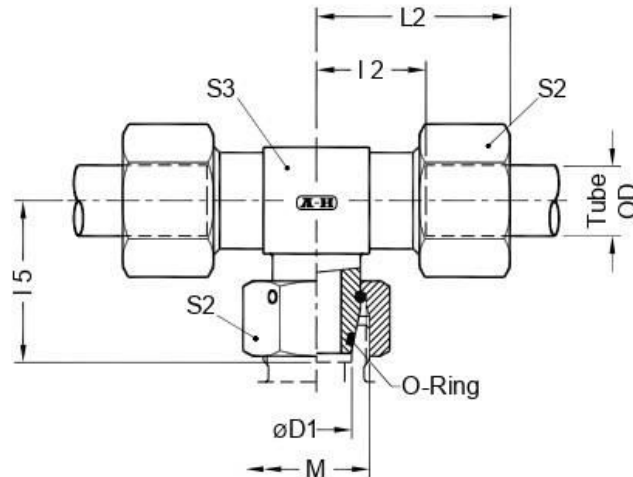
Swivel Branch Tee Couplings with O-Ring

ET

Dimensions in mm

DIN Fittings

Metric Tube end as per ISO 8434



Part No.	Series	Tube od (øD1)	M	I2	I5	* L2	S2	S3	O - Ring ID x CSD
ET06PL	Light L 315 bar	6	M12 x 1.5	12.0	26.0	27.5	14	12	4.0 x 1.5
ET08PL		8	M14 x 1.5	14.0	27.5	29.0	17	14	6.0 x 1.5
ET10PL		10	M16 x 1.5	15.0	29.0	30.5	19	17	7.5 x 1.5
ET12PL		12	M18 x 1.5	17.0	29.5	32.0	22	19	9.0 x 1.5
ET15PL		15	M22 x 1.5	21.0	32.5	37.0	27	22	12.0 x 2.0
ET18PL		18	M26 x 1.5	23.5	35.5	40.5	32	27	15.0 x 2.0
ET22PL	160 bar	22	M30 x 2.0	27.5	38.5	44.5	36	30	20.0 x 2.0
ET28PL		28	M36 x 2.0	30.5	41.5	48.5	41	36	26.0 x 2.0
ET35PL		35	M45 x 2.0	34.5	51.0	57.5	50	46	32.0 x 2.5
ET42PL		42	M52 x 2.0	40.0	56.0	63.5	60	55	38.0 x 2.5
ET06PS	Heavy S 630 bar	6	M14 x 1.5	16.0	27.0	31.5	17	14	4.0 x 1.5
ET08PS		8	M16 x 1.5	17.0	27.5	32.0	19	17	6.0 x 1.5
ET10PS		10	M18 x 1.5	17.5	30.0	34.5	22	19	7.5 x 1.5
ET12PS		12	M20 x 1.5	21.5	31.0	38.0	24	22	9.0 x 1.5
ET16PS	400 bar	16	M24 x 1.5	24.5	36.5	43.5	30	24	12.0 x 2.0
ET20PS		20	M30 x 2.0	26.5	44.5	49.0	36	30	16.3 x 2.4
ET25PS		25	M36 x 2.0	30.0	50	55.0	46	36	20.3 x 2.4
ET30PS		30	M42 x 2.0	35.5	55	63.5	50	46	25.3 x 2.4
ET38PS	315 bar	38	M52 x 2.0	41.0	63	72.5	60	55	33.3 x 2.4

ATAUFF HYDRAULIC STORE

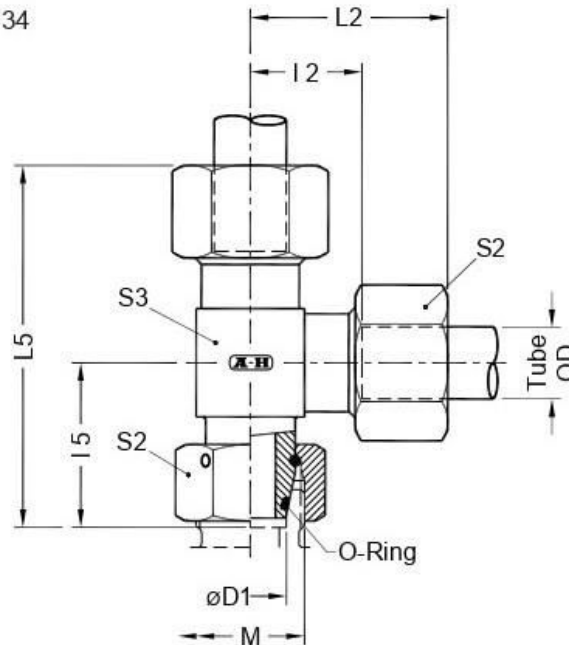
Swivel Barrel Tee Couplings with O-Ring

EL

Dimensions in mm

DIN Fittings

Metric Tube end as per ISO 8434



Part No.	Series	Tube od (øD1)	M	I2	I5	* L2	* L5	S2	S3	O - Ring ID x CSD
EL06PL	Light L 315 bar	6	M12 x 1.5	12.0	26.0	27.5	53.5	14	12	4.0 x 1.5
EL08PL		8	M14 x 1.5	14.0	27.5	29.0	56.5	17	14	6.0 x 1.5
EL10PL		10	M16 x 1.5	15.0	29.0	30.5	59.5	19	17	7.5 x 1.5
EL12PL		12	M18 x 1.5	17.0	29.5	32.0	61.5	22	19	9.0 x 1.5
EL15PL		15	M22 x 1.5	21.0	32.5	37.0	69.5	27	22	12.0 x 2.0
EL18PL		18	M26 x 1.5	23.5	35.5	40.5	76.0	32	27	15.0 x 2.0
EL22PL	160 bar	22	M30 x 2.0	27.5	38.5	44.5	83.0	36	30	20.0 x 2.0
EL28PL		28	M36 x 2.0	30.5	41.5	48.5	90.0	41	36	26.0 x 2.0
EL35PL		35	M45 x 2.0	34.5	51.0	57.5	108.5	50	46	32.0 x 2.5
EL42PL		42	M52 x 2.0	40.0	56.0	63.5	119.5	60	55	38.0 x 2.5
EL06PS	Heavy S 630 bar	6	M14 x 1.5	16.0	27.0	31.5	58.5	17	14	4.0 x 1.5
EL08PS		8	M16 x 1.5	17.0	27.5	32.0	59.5	19	17	6.0 x 1.5
EL10PS		10	M18 x 1.5	17.5	30.0	34.5	64.5	22	19	7.5 x 1.5
EL12PS		12	M20 x 1.5	21.5	31.0	38.0	69.0	24	22	9.0 x 1.5
EL16PS	400 bar	16	M24 x 1.5	24.5	36.5	43.5	80.0	30	24	12.0 x 2.0
EL20PS		20	M30 x 2.0	26.5	44.5	49.0	93.5	36	30	16.3 x 2.4
EL25PS		25	M36 x 2.0	30.0	50.0	55.0	105.0	46	36	20.3 x 2.4
EL30PS		30	M42 x 2.0	35.5	55.0	63.5	118.5	50	46	25.3 x 2.4
EL38PS	315 bar	38	M52 x 2.0	41.0	63.0	72.5	135.5	60	55	33.3 x 2.4

ATAUFF HYDRAULIC STORE

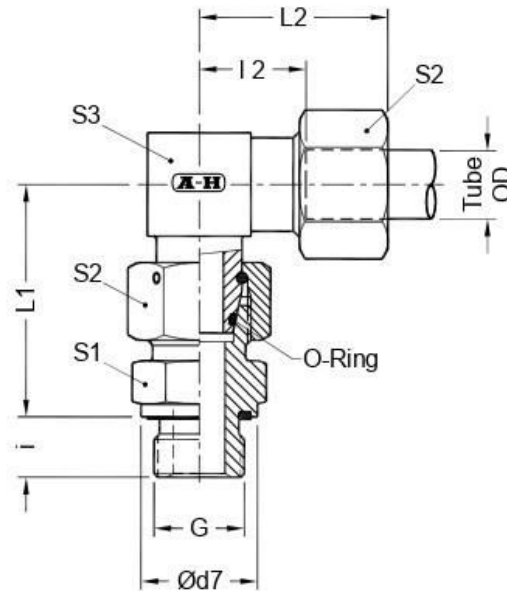
Swivel Stud Elbow Couplings with O-Ring

EW-GE

Dimensions in mm

DIN Fittings

Metric Tube end as per ISO 8434
Male Stud - BSPP (G) threads
DIN 3852-Part 11,
with Elastomeric seal



Part No.	Series	Tube od	G Male BSP thread	ød7	i	l2	L1	*L2	S1	S2	S3
EW06PLGE	Light L 315 bar	6	G 1/8	14	8	12.0	34.5	27.5	14	14	12
EW08PLGE		8	G 1/4	19	12	14.0	37.5	29.0	19	17	14
EW10PLGE		10	G 1/4	19	12	15.0	40.0	30.5	19	19	17
EW12PLGE		12	G 3/8	22	12	17.0	42.0	32.0	22	22	19
EW15PLGE		15	G 1/2	27	14	21.0	46.5	37.0	27	27	22
EW18PLGE		18	G 1/2	27	14	23.5	50.0	40.5	27	32	27
EW22PLGE	160 bar	22	G 3/4	32	16	27.5	55.0	44.5	32	36	30
EW28PLGE		28	G 1	40	18	30.5	59.0	48.5	41	41	36
EW35PLGE		35	G1.1/4	50	20	34.5	68.5	57.5	50	50	46
EW42PLGE		42	G1.1/2	55	22	40.0	75.0	63.5	55	60	55
EW06PSGE	Heavy S 630 bar	6	G 1/4	19	12	16.0	40.0	31.5	19	17	14
EW08PSGE		8	G 1/4	19	12	17.0	42.5	32.0	19	19	17
EW10PSGE		10	G 3/8	22	12	17.5	45.0	34.5	22	22	19
EW12PSGE		12	G 3/8	22	12	21.5	48.0	38.0	22	24	22
EW16PSGE	400 bar	16	G 1/2	27	14	24.5	55.0	43.5	27	30	24
EW20PSGE		20	G 3/4	32	16	26.5	65.0	49.0	32	36	30
EW25PSGE		25	G 1	40	18	30.0	73.0	55.0	41	46	36
EW30PSGE		30	G1.1/4	50	20	35.5	78.5	63.5	50	50	46
EW38PSGE	315 bar	38	G1.1/2	55	22	41.0	89.0	72.5	55	60	55

ATAUFF HYDRAULIC STORE

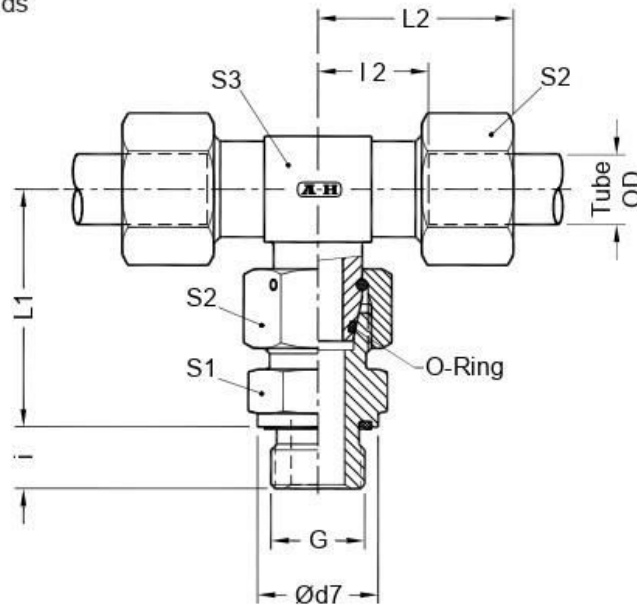
Swivel Stud Branch Tee Couplings with O-Ring

ET-GE

Dimensions in mm

DIN Fittings

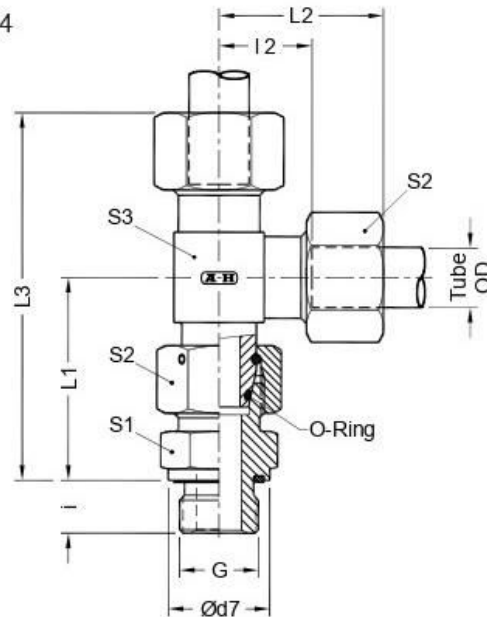
Metric Tube end as per ISO 8434
Male Stud - BSPP (G) threads
DIN 3852-Part 11,
with Elastomeric seal



Part No.	Series	Tube od	G Male BSP thread	Ød7	i	l2	L1	* L2	S1	S2	S3
ET06PLGE	Light L 315 bar	6	G 1/8	14	8	12.0	34.5	27.5	14	14	12
ET08PLGE		8	G 1/4	19	12	14.0	37.5	29.0	19	17	14
ET10PLGE		10	G 1/4	19	12	15.0	40.0	30.5	19	19	17
ET12PLGE		12	G 3/8	22	12	17.0	42.0	32.0	22	22	19
ET15PLGE		15	G 1/2	27	14	21.0	46.5	37.0	27	27	22
ET18PLGE		18	G 1/2	27	14	23.5	50.0	40.5	27	32	27
ET22PLGE	160 bar	22	G 3/4	32	16	27.5	55.0	44.5	32	36	30
ET28PLGE		28	G 1	40	18	30.5	59.0	48.5	41	41	36
ET35PLGE		35	G1.1/4	50	20	34.5	68.5	57.5	50	50	46
ET42PLGE		42	G1.1/2	55	22	40.0	75.0	63.5	55	60	55
ET06PSGE	Heavy S 630 bar	6	G 1/4	19	12	16.0	40.0	31.5	19	17	14
ET08PSGE		8	G 1/4	19	12	17.0	42.5	32.0	19	19	17
ET10PSGE		10	G 3/8	22	12	17.5	45.0	34.5	22	22	19
ET12PSGE		12	G 3/8	22	12	21.5	48.0	38.0	22	24	22
ET16PSGE	400 bar	16	G 1/2	27	14	24.5	55.0	43.5	27	30	24
ET20PSGE		20	G 3/4	32	16	26.5	65.0	49.0	32	36	30
ET25PSGE		25	G 1	40	18	30.0	73.0	55.0	41	46	36
ET30PSGE		30	G1.1/4	50	20	35.5	78.5	63.5	50	50	46
ET38PSGE	315 bar	38	G1.1/2	55	22	41.0	89.0	72.5	55	60	55

ATAUFF HYDRAULIC STORE

Metric Tube end as per ISO 8434
Male Stud - BSPP (G) threads
DIN 3852-Part 11,
with Elastomeric seal



Part No.	Series	Tube od	G Male BSP thread	Ød7	i	L2	* L1	* L2	* L3	S1	S2	S3	
EL06PLGE	Light L 315 bar	6	G 1/8	14	8	12.0	34.5	27.5	62.0	14	14	12	
EL08PLGE		8	G 1/4	19	12	14.0	37.5	29.0	66.5	19	17	14	
EL10PLGE		10	G 1/4	19	12	15.0	40.0	30.5	70.5	19	19	17	
EL12PLGE		12	G 3/8	22	12	17.0	42.0	32.0	74.0	22	22	19	
EL15PLGE		15	G 1/2	27	14	21.0	46.5	37.0	83.5	27	27	22	
EL18PLGE		18	G 1/2	27	14	23.5	50.0	40.5	90.5	27	32	27	
EL22PLGE	160 bar	22	G 3/4	32	16	27.5	55.0	44.5	99.5	32	36	30	
EL28PLGE		28	G 1	40	18	30.5	59.0	48.5	107.5	41	41	36	
EL35PLGE		35	G1.1/4	50	20	34.5	68.5	57.5	126.0	50	50	46	
EL42PLGE		42	G1.1/2	55	22	40.0	75.0	63.5	138.5	55	60	55	
EL06PSGE	Heavy S 630 bar	6	G 1/4	19	12	16.0	40.0	31.5	71.5	19	17	14	
EL08PSGE		8	G 1/4	19	12	17.0	42.5	32.0	74.5	19	19	17	
EL10PSGE		10	G 3/8	22	12	17.5	45.0	34.5	79.5	22	22	19	
EL12PSGE		12	G 3/8	22	12	21.5	48.0	38.0	86.0	22	24	22	
EL16PSGE		400 bar	16	G 1/2	27	14	24.5	55.0	43.5	98.5	27	30	24
EL20PSGE			20	G 3/4	32	16	26.5	65.0	49.0	114.0	32	36	30
EL25PSGE	25		G 1	40	18	30.0	73.0	55.0	128.0	41	46	36	
EL30PSGE	30		G1.1/4	50	20	35.5	78.5	63.5	142.0	50	50	46	
EL38PSGE	315 bar	38	G1.1/2	55	22	41.0	89.0	72.5	161.5	55	60	55	

ATAUFF HYDRAULIC STORE

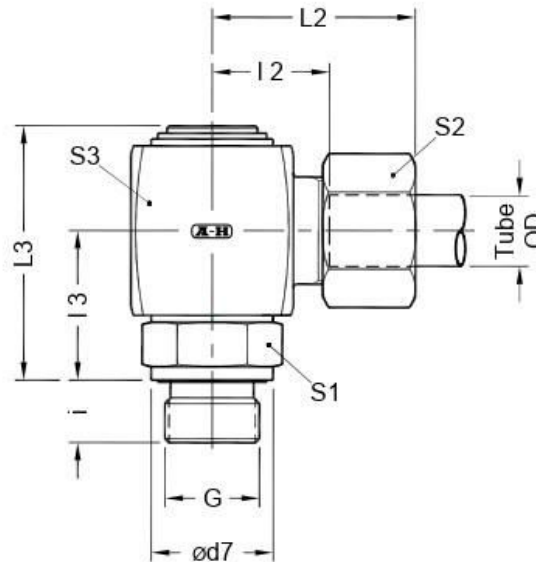
Rotary Banjo Couplings

RW-GE

Dimensions in mm

DIN Fittings

Metric Tube end as per ISO 8434
Male stud - BSPP (G) threads
with Elastomeric seal



Part No.	Series	Tube od	BSP thread G	ød7	i	l2	l3	* L2	L3	S1	S2	S3
RW06PLGE	Light L	6	G 1/8 A	14	8	14.0	19.0	29.0	35.5	14	14	22
RW08PLGE	250 bar	8	G 1/4 A	19	12	18.0	23.5	33.0	41.5	19	17	27
RW10PLGE		10	G 1/4 A	19	12	19.0	23.5	35.0	41.5	19	19	27
RW12PLGE		12	G 3/8 A	22	12	20.0	27.0	35.0	46.5	22	22	32
RW15PLGE	100 bar	15	G 1/2 A	27	14	25.5	33.5	41.5	57.0	27	27	36
RW18PLGE		18	G 1/2 A	27	14	25.0	33.5	42.5	57.0	27	32	36
RW22PLGE		22	G 3/4 A	32	16	29.5	39.0	47.0	66.0	32	36	46
RW28PLGE	100 bar	28	G 1 A	40	18	34.0	45.0	52.5	78.0	41	41	55
RW35PLGE		35	G1 1/4 A	50	20	38.0	51.5	60.5	93.0	50	50	65
RW42PLGE		42	G1 1/2 A	55	22	42.5	60.5	65.5	108.0	55	60	75
RW06PSGE	Heavy S	6	G 1/4 A	19	12	18.5	23.5	33.5	41.5	19	17	27
RW08PSGE	400 bar	8	G 1/4 A	19	12	18.5	23.5	33.5	41.5	19	19	27
RW10PSGE		10	G 3/8 A	22	12	20.5	27.0	38.0	46.5	22	22	32
RW12PSGE		12	G 3/8 A	22	12	20.5	27.0	37.0	46.5	22	24	32
RW16PSGE	400 bar	16	G 1/2 A	27	14	23.5	33.5	43.0	57.0	27	30	36
RW20PSGE		20	G 3/4 A	32	16	28.5	39.0	51.0	66.0	32	36	46
RW25PSGE		25	G 1 A	40	18	33.5	45.0	58.5	78.0	41	46	55
RW30PSGE	250 bar	30	G1 1/4 A	50	20	39.0	51.5	67.5	93.0	50	50	65
RW38PSGE		38	G1 1/2 A	55	22	43.5	60.5	75.5	108.0	55	60	75

ATAUFF HYDRAULIC STORE

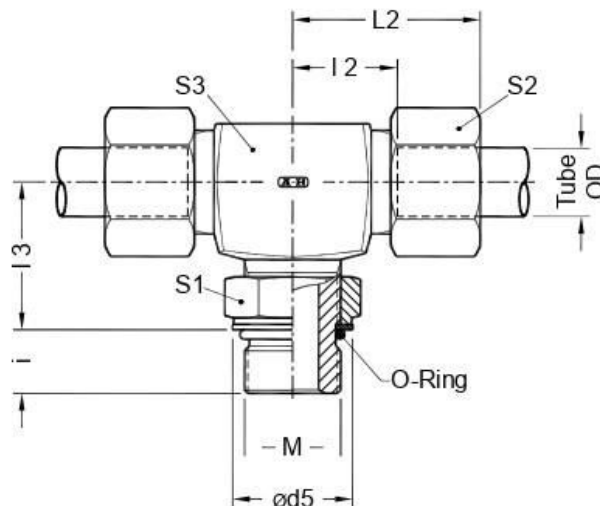
Adjustable Locknut Branch Tee

TEE-MO

Dimensions in mm

DIN Fittings

Metric Tube end as per ISO 8434



Part No.	Series	Tube od	Metric thread M	ød5	i	I 2	* L2	I 3	S 1	S 2	S 3
TEE06PLMO	Light L 315 bar	6	M10x1.0	15	7.0	14.0	29.5	20.0	14	14	14
TEE08PLMO		8	M12x1.5	18	10.0	16.0	31.0	22.0	17	17	14
TEE10PLMO		10	M14x1.5	20	10.0	17.0	32.5	25.0	19	19	19
TEE12PLMO		12	M16x1.5	23	10.0	19.0	34.0	26.0	22	22	19
TEE15PLMO		15	M18x1.5	25	11.0	21.0	37.0	30.0	24	27	22
TEE18PLMO		18	M22x1.5	28	12.0	24.0	41.0	33.0	27	32	27
TEE22PLMO	160 bar	22	M27x2.0	33	14.0	28.0	45.0	35.0	32	36	30
TEE28PLMO		28	M33x2.0	41	14.0	31.0	49.0	38.0	41	41	36
TEE35PLMO		35	M42x2.0	51	14.0	38.0	61.0	48.0	50	50	50
TEE42PLMO		42	M48x2.0	56	16.0	38.0	61.5	49.0	55	60	50
TEE06PSMO	Heavy 400 bar	6	M12x1.5	18	10.0	15.0	30.5	22.0	17	17	14
TEE08PSMO		8	M14x1.5	20	10.0	17.0	32.0	26.0	19	19	19
TEE10PSMO		10	M16x1.5	23	11.0	18.0	35.0	27.0	22	22	19
TEE12PSMO		12	M18x1.5	25	12.0	22.0	38.5	31.0	24	24	22
TEE16PSMO		16	M22x1.5	28	14.0	25.0	44.0	35.0	27	30	27
TEE20PSMO		400 bar	20	M27x2.0	33	16.0	28.0	50.5	39.0	32	36
TEE25PSMO	315 bar	25	M33x2.0	41	16.0	30.0	55.0	44.0	41	46	36
TEE30PSMO	250 bar	30	M42x2.0	51	17.0	36.0	64.0	51.0	50	50	50
TEE38PSMO	200 bar	38	M48x2.0	56	19.0	34.0	65.5	54.0	55	60	50

ATAUFF HYDRAULIC STORE

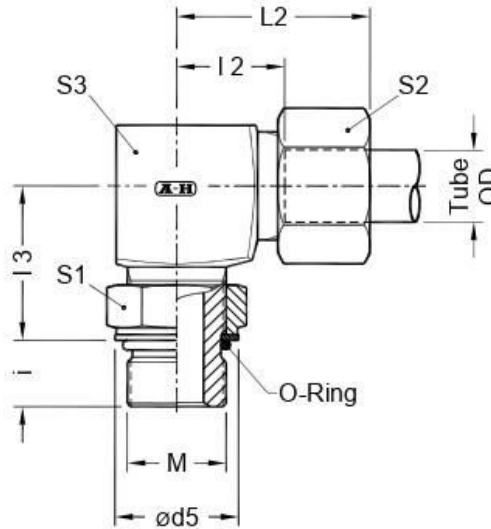
Adjustable Locknut Elbow

WEE-MO

Dimensions in mm

DIN Fittings

Metric Tube end as per ISO 8434



Part No.	Series	Tube od	Metric thread M	ød5	i	I 2	* L2	I 3	S1	S2	S3
WEE06PLMO	Light L 315 bar	6	M10x1.0	15	7.0	14.0	29.5	20.0	14	14	14
WEE08PLMO		8	M12x1.5	18	10.0	16.0	31.0	22.0	17	17	14
WEE10PLMO		10	M14x1.5	20	10.0	17.0	32.5	25.0	19	19	19
WEE12PLMO		12	M16x1.5	23	10.0	19.0	34.0	26.0	22	22	19
WEE15PLMO		15	M18x1.5	25	11.0	21.0	37.0	30.0	24	27	22
WEE18PLMO		18	M22x1.5	28	12.0	24.0	41.0	33.0	27	32	27
WEE22PLMO	160 bar	22	M27x2.0	33	14.0	28.0	45.0	35.0	32	36	30
WEE28PLMO		28	M33x2.0	41	14.0	31.0	49.0	38.0	41	41	36
WEE35PLMO		35	M42x2.0	51	14.0	38.0	61.0	48.0	50	50	50
WEE42PLMO		42	M48x2.0	56	16.0	38.0	61.5	49.0	55	60	50
WEE06PSMO	Heavy 400 bar	6	M12x1.5	18	10.0	15.0	30.5	22.0	17	17	14
WEE08PSMO		8	M14x1.5	20	10.0	17.0	32.0	26.0	19	19	19
WEE10PSMO		10	M16x1.5	23	11.0	18.0	35.0	27.0	22	22	19
WEE12PSMO		12	M18x1.5	25	12.0	22.0	38.5	31.0	24	24	22
WEE16PSMO		16	M22x1.5	28	14.0	25.0	44.0	35.0	27	30	27
WEE20PSMO		400 bar	20	M27x2.0	33	16.0	28.0	50.5	39.0	32	36
WEE25PSMO	315 bar	25	M33x2.0	41	16.0	30.0	55.0	44.0	41	46	36
WEE30PSMO	250 bar	30	M42x2.0	51	17.0	36.0	64.0	51.0	50	50	50
WEE38PSMO	200 bar	38	M48x2.0	56	19.0	34.0	65.5	54.0	55	60	50

ATAUFF HYDRAULIC STORE

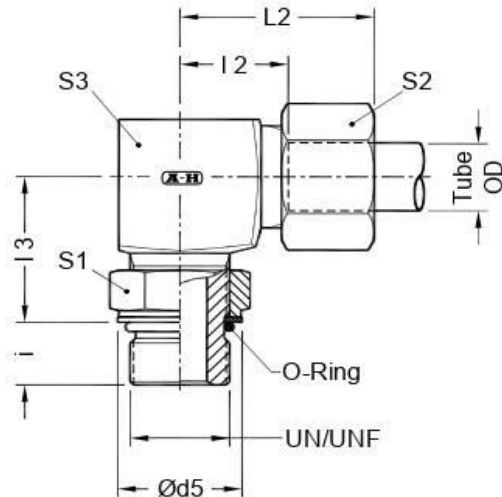
Adjustable Locknut Elbow

WEE-S

Dimensions in mm

DIN Fittings

Metric Tube end as per ISO 8434



Part No.	Series	Tube od	SAE thread UNF / UN	$\varnothing d5$	i	L2	* L2	L3	S1	S2	S3
WEE06PLS04	Light L 315 bar	6	7/16"-20 UNF	16.5	10	14	29.5	19	14	14	14
WEE08PLS04		8	7/16"-20 UNF	18.3	10	16	31.0	19	14	17	14
WEE10PLS06		10	9/16"-18 UNF	20.2	10	17	32.5	24	17	19	19
WEE12PLS06		12	9/16"-18 UNF	25.7	11	19	34.0	25	17	22	19
WEE12PLS08		12	3/4"-16 UNF	25.7	13	19	34.0	25	22	22	19
WEE15PLS08	315 bar	15	3/4"-16 UNF	25.7	13	21	37.0	28	22	27	22
WEE15PLS10	315 bar	15	7/8"-14 UNF	29.3	15	21	37.0	28	27	27	22
WEE18PLS10	315 bar	18	7/8"-14 UNF	29.3	15	24	41.0	32	27	32	27
WEE18PLS12	315 bar	18	1.1/16"-12 UN	29.3	17	24	41.0	32	32	32	30
WEE22PLS12	160 bar	22	1.1/16"-12 UN	36.7	17	28	45.0	35	32	36	30
WEE28PLS16	160 bar	28	1.5/16"-12 UN	44.0	17	31	49.0	42	41	41	36
WEE35PLS20	160 bar	35	1.5/8"-12 UN	55.0	17	38	61.0	46	50	50	50
WEE42PLS24	160 bar	42	1.7/8"-12 UN	55.0	17	38	61.5	47	55	60	50
WEE06PSS04	Heavy S 400 bar	6	7/16"-20 UNF	16.5	12	15	30.5	20	14	17	14
WEE08PSS06		8	9/16"-18 UNF	18.3	12	17	32.0	25	17	19	19
WEE10PSS06		10	9/16"-18 UNF	20.2	12	18	35.0	26	17	22	19
WEE12PSS08		12	3/4"-16 UNF	25.7	14	22	38.5	30	22	24	22
WEE16PSS10		16	7/8"-14 UNF	29.3	16	25	44.0	34	27	30	27
WEE20PSS12	400 bar	20	1.1/16"-12 UN	36.7	19	28	50.5	37	32	36	30
WEE25PSS12	400 bar	25	1.1/16"-12 UN	44.0	19	30	55.0	50	32	46	36
WEE30PSS20	250 bar	30	1.5/8"-12 UN	55.0	19	36	64.0	50	50	50	50
WEE38PSS24	250 bar	38	1.7/8"-12 UN	55.0	19	34	65.5	51	55	60	50

ATAUFF HYDRAULIC STORE

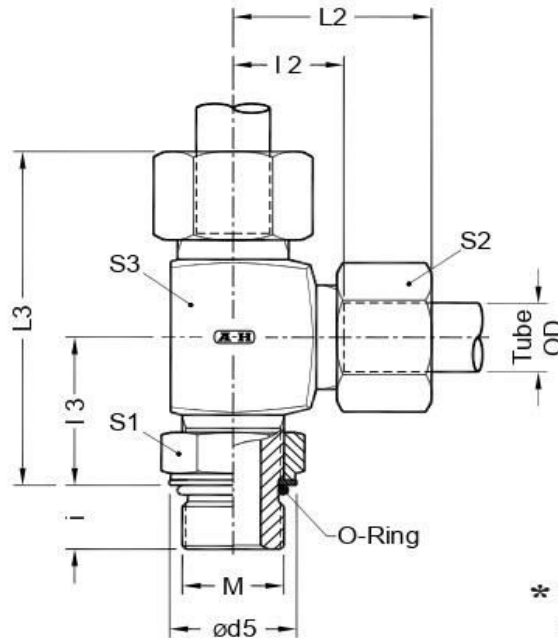
Adjustable Locknut Barrel Tee

LEE-MO

Dimensions in mm

DIN Fittings

Metric Tube end as per ISO 8434



* Dimensions given are approx figures with tightened nut.

Part No.	Series	Tube od	Metric thread M	ød5	i	I 2	* L2	I 3	* L3	S1	S2	S3
LEE06PLMO	Light L 315 bar	6	M10x1.0	15	7.0	14.0	29.5	20.0	49.5	14	14	14
LEE08PLMO		8	M12x1.5	18	10.0	16.0	31.0	22.0	53.0	17	17	14
LEE10PLMO		10	M14x1.5	20	10.0	17.0	32.5	25.0	57.5	19	19	19
LEE12PLMO		12	M16x1.5	23	10.0	19.0	34.0	26.0	60.0	22	22	19
LEE15PLMO		15	M18x1.5	25	11.0	21.0	37.0	30.0	67.0	24	27	22
LEE18PLMO		18	M22x1.5	28	12.0	24.0	41.0	33.0	74.0	27	32	27
LEE22PLMO	160 bar	22	M27x2.0	33	14.0	28.0	45.0	35.0	80.0	32	36	30
LEE28PLMO		28	M33x2.0	41	14.0	31.0	49.0	38.0	87.0	41	41	36
LEE35PLMO		35	M42x2.0	51	14.0	38.0	61.0	48.0	109.0	50	50	50
LEE42PLMO		42	M48x2.0	56	16.0	38.0	61.5	49.0	110.5	55	60	50
LEE06PSMO		Heavy 400 bar	6	M12x1.5	18	10.0	15.0	30.5	22.0	52.5	17	17
LEE08PSMO	8		M14x1.5	20	10.0	17.0	32.0	26.0	58.0	19	19	19
LEE10PSMO	10		M16x1.5	23	11.0	18.0	35.0	27.0	62.0	22	22	19
LEE12PSMO	12		M18x1.5	25	12.0	22.0	38.5	31.0	69.5	24	24	22
LEE16PSMO	16		M22x1.5	28	14.0	25.0	44.0	35.0	79.0	27	30	27
LEE20PSMO	400 bar		20	M27x2.0	33	16.0	28.0	50.5	39.0	89.5	32	36
LEE25PSMO	315 bar	25	M33x2.0	41	16.0	30.0	55.0	44.0	99.0	41	46	36
LEE30PSMO	250 bar	30	M42x2.0	51	17.0	36.0	64.0	51.0	115.0	50	50	50
LEE38PSMO	200 bar	38	M48x2.0	56	19.0	34.0	65.5	54.0	119.5	55	60	50

ATAUFF HYDRAULIC STORE

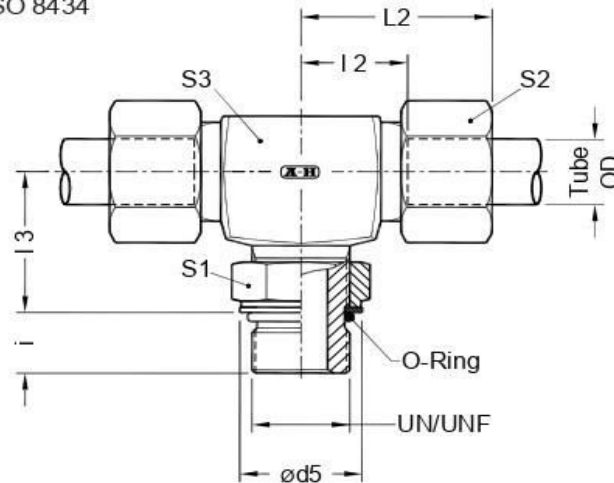
Adjustable Locknut Branch Tee

TEE-S

Dimensions in mm

DIN Fittings

Metric Tube end as per ISO 8434



Part No.	Series	Tube od	SAE thread UNF / UN	ød5	i	L2	* L2	I 3	S1	S2	S3
TEE06PLS04	Light L 315 bar	6	7/16"-20 UNF	16.5	10	14	29.5	19	14	14	14
TEE08PLS04		8	7/16"-20 UNF	18.3	10	16	31.0	19	14	17	14
TEE10PLS06		10	9/16"-18 UNF	20.2	10	17	32.5	24	17	19	19
TEE12PLS06		12	9/16"-18 UNF	25.7	11	19	34.0	25	17	22	19
TEE12PLS08		12	3/4"-16 UNF	25.7	13	19	34.0	25	22	22	19
TEE15PLS08	315 bar	15	3/4"-16 UNF	25.7	13	21	37.0	28	22	27	22
TEE15PLS10	315 bar	15	7/8"-14 UNF	29.3	15	21	37.0	28	27	27	22
TEE18PLS10	315 bar	18	7/8"-14 UNF	29.3	15	24	41.0	32	27	32	27
TEE18PLS12	315 bar	18	1.1/16"-12 UN	29.3	17	24	41.0	32	32	32	30
TEE22PLS12	160 bar	22	1.1/16"-12 UN	36.7	17	28	45.0	35	32	36	30
TEE28PLS16	160 bar	28	1.5/16"-12 UN	44.0	17	31	49.0	42	41	41	36
TEE35PLS20	160 bar	35	1.5/8"-12 UN	55.0	17	38	61.0	46	50	50	50
TEE42PLS24	160 bar	42	1.7/8"-12 UN	55.0	17	38	61.5	47	55	60	50
TEE06PSS04	Heavy S 400 bar	6	7/16"-20 UNF	16.5	12	15	30.5	20	14	17	14
TEE08PSS06		8	9/16"-18 UNF	18.3	12	17	32.0	25	17	19	19
TEE10PSS06		10	9/16"-18 UNF	20.2	12	18	35.0	26	17	22	19
TEE12PSS08		12	3/4"-16 UNF	25.7	14	22	38.5	30	22	24	22
TEE16PSS10		16	7/8"-14 UNF	29.3	16	25	44.0	34	27	30	27
TEE20PSS12	400 bar	20	1.1/16"-12 UN	36.7	19	28	50.5	37	32	36	30
TEE25PSS12	400 bar	25	1.1/16"-12 UN	44.0	19	30	55.0	50	32	46	36
TEE30PSS20	250 bar	30	1.5/8"-12 UN	55.0	19	36	64.0	50	50	50	50
TEE38PSS24	250 bar	38	1.7/8"-12 UN	55.0	19	34	65.5	51	55	60	50

ATAUFF HYDRAULIC STORE

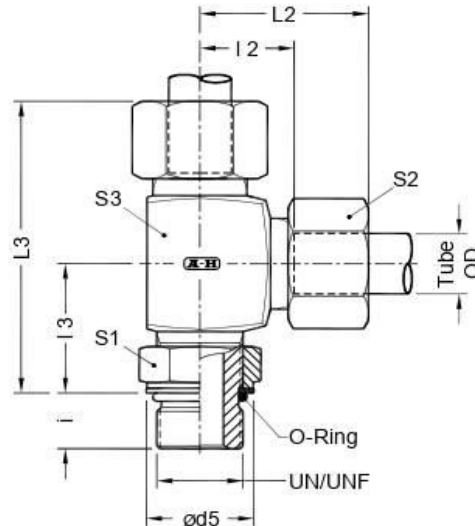
Adjustable Locknut Barrel Tee

LEE-S

Dimensions in mm

DIN Fittings

Metric Tube end as per ISO 8434



* Dimensions given are approx figures with tightened nut.

Part No.	Series	Tube od	SAE thread UNF / UN	$\phi d5$	i	L2	* L2	L3	* L3	S1	S2	S3
LEE06PLS04	Light L 315 bar	6	7/16"-20 UNF	16.5	10	14	29.5	19	48.5	14	14	14
LEE08PLS04		8	7/16"-20 UNF	18.3	10	16	31.0	19	50.0	14	17	14
LEE10PLS06		10	9/16"-18 UNF	20.2	10	17	32.5	24	56.5	17	19	19
LEE12PLS06		12	9/16"-18 UNF	25.7	11	19	34.0	25	59.0	17	22	19
LEE12PLS08		12	3/4"-16 UNF	25.7	13	19	34.0	25	59.0	22	22	19
LEE15PLS08	315 bar	15	3/4"-16 UNF	25.7	13	21	37.0	28	65.0	22	27	22
LEE15PLS10	315 bar	15	7/8"-14 UNF	29.3	15	21	37.0	28	65.0	27	27	22
LEE18PLS10	315 bar	18	7/8"-14 UNF	29.3	15	24	41.0	32	73.0	27	32	27
LEE18PLS12	315 bar	18	1.1/16"-12 UN	29.3	17	24	41.0	32	73.0	32	32	30
LEE22PLS12	160 bar	22	1.1/16"-12 UN	36.7	17	28	45.0	35	80.0	32	36	30
LEE28PLS16	160 bar	28	1.5/16"-12 UN	44.0	17	31	49.0	42	91.0	41	41	36
LEE35PLS20	160 bar	35	1.5/8"-12 UN	55.0	17	38	61.0	46	107.0	50	50	50
LEE42PLS24	160 bar	42	1.7/8"-12 UN	55.0	17	38	61.5	47	108.5	55	60	50
LEE06PSS04	Heavy S 400 bar	6	7/16"-20 UNF	16.5	12	15	30.5	20	50.5	14	17	14
LEE08PSS06		8	9/16"-18 UNF	18.3	12	17	32.0	25	57.0	17	19	19
LEE10PSS06		10	9/16"-18 UNF	20.2	12	18	35.0	26	61.0	17	22	19
LEE12PSS08		12	3/4"-16 UNF	25.7	14	22	38.5	30	68.5	22	24	22
LEE16PSS10		16	7/8"-14 UNF	29.3	16	25	44.0	34	78.0	27	30	27
LEE20PSS12	400 bar	20	1.1/16"-12 UN	36.7	19	28	50.5	37	87.5	32	36	30
LEE25PSS12	400 bar	25	1.1/16"-12 UN	44.0	19	30	55.0	50	105.0	32	46	36
LEE30PSS20	250 bar	30	1.5/8"-12 UN	55.0	19	36	64.0	50	114.0	50	50	50
LEE38PSS24	250 bar	38	1.7/8"-12 UN	55.0	19	34	65.5	51	116.5	55	60	50

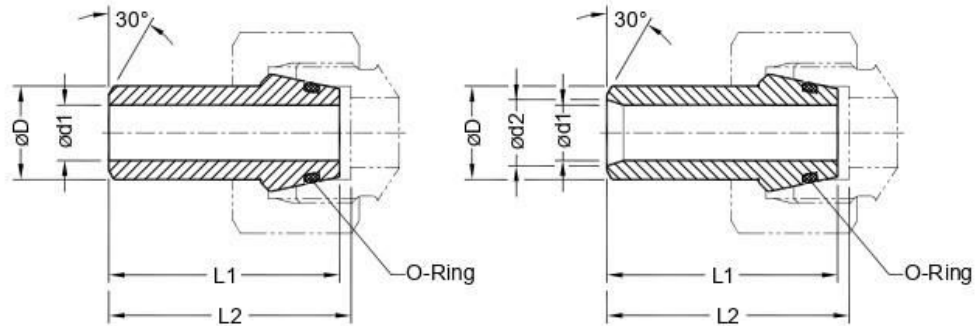
ATAUFF HYDRAULIC STORE

Weldable Nipples

WNA

Dimensions in mm

DIN Fittings



	Part No.	Series	Max Pr (bar)	Tube size od x Wall	O-Ring ID x CSD	øD	ød1	ød2	L1	L2
#	WNA1515	Light L	282	15 x 1.5	12 x 2.0	15	10	12	34.5	35.0
	WNA1520		376	15 x 2.0			10	11		
	WNA1525		409	15 x 2.5			10	–		
#	WNA1820		313	18 x 2.0	15 x 2.0	18	13	14	36.5	37.0
	WNA1825	392	18 x 2.5	13			–			
	WNA1830	409	18 x 3.0	12			–			
	WNA2220		256	22 x 2.0	20 x 2.0	22	17	18	39.0	39.5
#	WNA2225	320	22 x 2.5	17			–			
#	WNA2825		252	28 x 2.5	26 x 2.0	28	23	–	41.5	42.5
	WNA2830	302	28 x 3.0	22			–			
	WNA2840	403	28 x 4.0	20			–			
#	WNA3530		242	35 x 3.0	32 x 2.5	35	29	–	48.5	49.5
	WNA3540	322	35 x 4.0	27			–			
	WNA3550	403	35 x 5.0	25			–			
	WNA4220		134	42 x 2.0	38 x 2.5	42	36	38	49.0	50.0
	WNA4230	201	42 x 3.0	36			–			
#	WNA4240	269	42 x 4.0	34			–			
#	WNA0610	Heavy S	237	6.0 x 1.0	4.0 x 1.5	6	2.5	4	31.5	32.0
	WNA0615		237	6.0 x 1.5			2.5	3		
	WNA0810		237	8.0 x 1.0	6.0 x 1.5	8	4.0	6	31.0	32.0
#	WNA0815	237	8.0 x 1.5	4.0			5			
	WNA0820	237	8.0 x 2.0	4.0			–			

Standard wall thickness unless specified

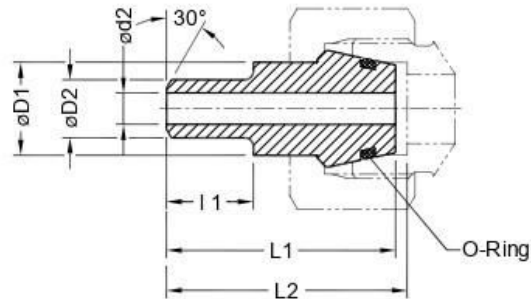
ATAUFF HYDRAULIC STORE

Reducer Weldable Nipples

WNR

Dimensions in mm

DIN Fittings



Part No.	Series	Max Pr (bar)	$\varnothing D1$	$\varnothing D2$	Tube size od x Wall	O-Ring ID x CSD	$\varnothing d2$	l1	L1	L2
WNR181515	Light L	160	18	15	15 x 1.5	15 x 2.0	12	16	36.5	37.0
WNR221815		160	22	18	18 x 1.5	20 x 2.0	15	18	39.0	39.5
WNR221515			22	15	15 x 1.5		12			
WNR282220		100	28	22	22 x 2.0	26 x 2.0	18	21	41.5	42.5
WNR281815			28	18	18 x 1.5		15			
WNR281515			28	15	15 x 1.5		12			
WNR352820		100	35	28	28 x 2.0	32 x 2.5	24	25	48.5	49.5
WNR352220			35	22	22 x 2.0		18			
WNR351815			35	18	18 x 1.5		15			
WNR351515			35	15	15 x 1.5		12			
WNR423520		100	42	35	35 x 2.0	38 x 2.5	31	22	49	50.0
WNR422820			42	28	28 x 2.0		24			
WNR422220			42	22	22 x 2.0		18			
WNR421815			42	18	18 x 1.5		15			
WNR421515			42	15	15 x 1.5		12			
WNR080620	Heavy S	630	8	6	6 x 2.0	6.0 x 1.5	2	11	31.0	32.0
WNR100825		630	10	8	8 x 2.5	7.5 x 1.5	3	12	32.5	33.5
WNR100620			10	6	6 x 2.0		2			
WNR121030		630	12	10	10 x 3.0	9.0 x 1.5	4	13	32.5	33.5
WNR120825			12	8	8 x 2.5		3			
WNR120620			12	6	6 x 2.0		2			

ATAUFF HYDRAULIC STORE

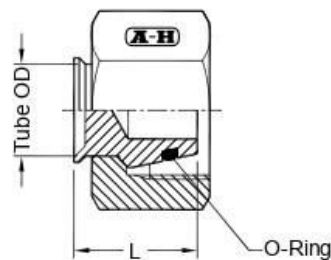
Blanking Plugs for 24° Tube ends

VKA

Dimensions in mm

DIN Fittings

For Metric Tube ends (24°) as per ISO 8434



Part No.	Series	Tube od	L	O-Ring ID x CSD
VKA06L	Light L 250 bar	6	18.5	4.0 x 1.5
VKA08L		8	18.0	6.0 x 1.5
VKA10L		10	19.5	7.5 x 1.5
VKA12L		12	19.5	9.0 x 1.5
VKA15L		15	19.0	12.0 x 2.0
VKA18L	160 bar	18	20.5	15 x 2.0
VKA22L		22	21.5	20 x 2.0
VKA28L		100 bar	28	22.0
VKA35L	35		27.5	32 x 2.5
VKA42L	42		28.0	38 x 2.5
VKA06S	Heavy S 630 bar		6	18.5
VKA08S		8	18.0	6.0 x 1.5
VKA10S		10	19.5	7.5 x 1.5
VKA12S		12	19.5	9.0 x 1.5
VKA16S	400 bar	16	21.5	12 x 2.0
VKA20S		20	26.0	16.3 x 2.4
VKA25S		25	28.0	20.3 x 2.4
VKA30S	250 bar	30	32.5	25.3 x 2.4
VKA38S		38	36.5	33.3 x 2.4

ATAUFF HYDRAULIC STORE

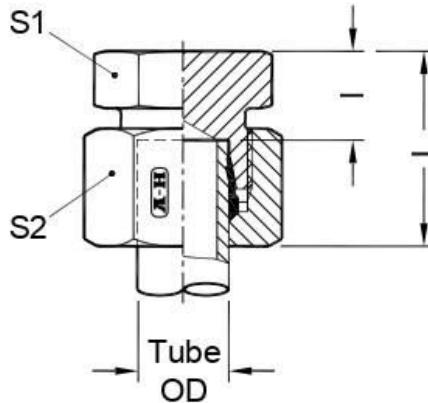
Blanking Ends for Tubes

BUZT

Dimensions in mm

DIN Fittings

Metric Tube end as per ISO 8434



*

Part No.	Series	Tube od	I	L	S1	S2
BUZT06L	Light L 250 bar	6	8.0	23.5	12	14
BUZT08L		8	8.0	23.0	14	17
BUZT10L		10	9.0	24.5	17	19
BUZT12L		12	10.0	25.0	19	22
BUZT15L		15	11.0	27.0	22	27
BUZT18L	160 bar	18	11.5	28.5	27	32
BUZT22L		22	13.5	30.5	30	36
BUZT28L	100 bar	28	14.5	32.5	36	41
BUZT35L		35	16.5	39.5	46	50
BUZT42L		42	19.0	42.5	55	60
BUZT06S	Heavy S 630 bar	6	13.0	28.5	14	17
BUZT08S		8	13.0	28.0	17	19
BUZT10S		10	12.5	29.5	19	22
BUZT12S		12	14.5	31.0	22	24
BUZT16S	400 bar	16	15.5	34.5	24	30
BUZT20S		20	17.5	40.0	30	36
BUZT25S		25	18.0	43.0	36	46
BUZT30S	250 bar	30	22.5	50.5	46	50
BUZT38S		38	23.0	54.5	55	60

ATAUFF HYDRAULIC STORE

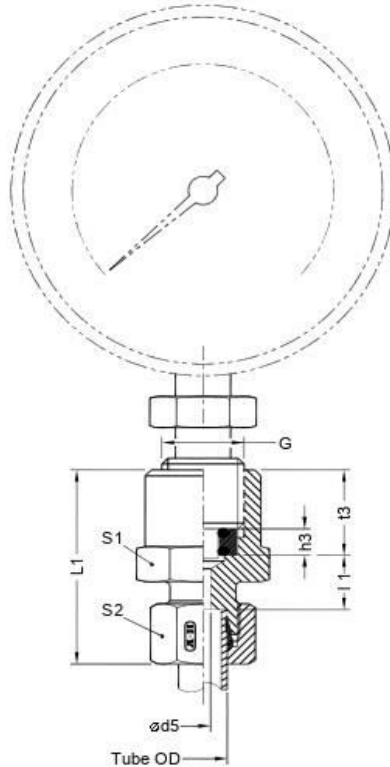
Pressure Gauge Connectors

MAV-G

Dimensions in mm

DIN Fittings

Metric Tube end as per ISO 8434
Gauge is not in scope of supply



*

Part No.	Series	Tube od	Connection thread	ød5	h3	l 1	L 1	S1	S2	t 3
MAV04PLG02	100 bar	4	G 1/4	2.5	4.5	8.5	33.0	19	14	14.5
MAV06PLG02	250 bar	6	G 1/4	2.5	4.5	7.5	37.5	19	14	14.5
MAV08PLG02		8	G 1/4	5.5	4.5	7.5	37.0	19	17	14.5
MAV10PLG02		10	G 1/4	5.5	4.5	8.5	38.5	19	19	14.5
MAV12PLG02		12	G 1/4	5.5	4.5	8.5	38.0	19	22	14.5
MAV06PLG03	250 bar	6	G 3/8	2.5	5.5	9.5	41.5	22	14	16.5
MAV08PLG03		8	G 3/8	5.5	5.5	9.5	41.0	22	17	16.5
MAV10PLG03		10	G 3/8	5.5	5.5	10.5	42.5	22	19	16.5
MAV12PLG03		12	G 3/8	5.5	5.5	10.5	42.0	22	22	16.5
MAV06PSG03	630 bar	6	G 3/8	3.5	5.5	9.5	41.5	22	17	16.5
MAV08PSG03		8	G 3/8	3.5	5.5	9.5	41.0	22	19	16.5
MAV10PSG03		10	G 3/8	7	5.5	9	42.5	22	22	16.5
MAV12PSG03		12	G 3/8	7	5.5	9	42.0	22	24	16.5
MAV06PSG04	630 bar	6	G 1/2	3.5	5.5	11	46.5	27	17	20
MAV08PSG04		8	G 1/2	3.5	5.5	11	46.0	27	19	20
MAV10PSG04		10	G 1/2	7	5.5	10.5	47.5	27	22	20
MAV12PSG04		12	G 1/2	7	5.5	10.5	47.0	27	24	20

ATAUFF HYDRAULIC STORE

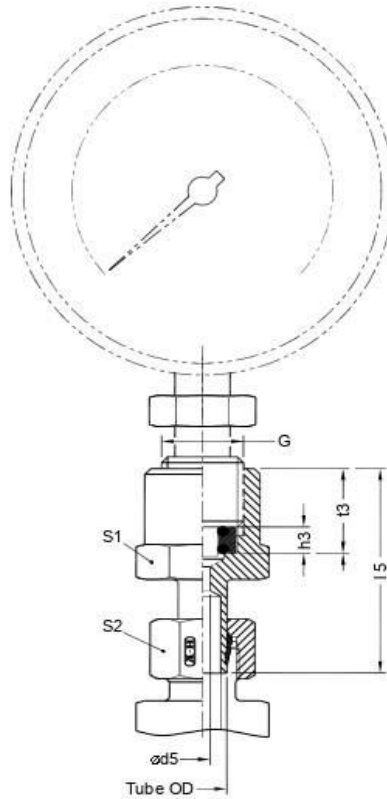
Adjustable Pressure Gauge Standpipes

MAVEV-G

Dimensions in mm

DIN Fittings

Metric Tube end as per ISO 8434
Gauge is not in scope of supply



Part No.	Series	Tube od	Connection thread G	ød5	h3	l5	S1	S2	t 3
MAVEV06PLG02	250 bar	6	G 1/4	2.5	4.5	38.0	19	14	14.5
MAVEV08PLG02		8	G 1/4	4.5	4.5	38.0	19	17	14.5
MAVEV10PLG02		10	G 1/4	5.5	4.5	39.5	19	19	14.5
MAVEV12PLG02		12	G 1/4	5.5	4.5	40.5	19	22	14.5
MAVEV06PLG03	250 bar	6	G 3/8	2.5	5.5	38.0	22	14	16.5
MAVEV08PLG03		8	G 3/8	5.5	5.5	38.0	22	17	16.5
MAVEV10PLG03		10	G 3/8	5.5	5.5	39.5	22	19	16.5
MAVEV12PLG03		12	G 3/8	5.5	5.5	40.5	22	22	16.5
MAVEV06PSG03	630 bar	6	G 3/8	2.5	5.5	41.0	22	17	16.5
MAVEV08PSG03		8	G 3/8	5.5	5.5	41.0	22	19	16.5
MAVEV10PSG03		10	G 3/8	5.5	5.5	43.0	22	22	16.5
MAVEV12PSG03		12	G 3/8	5.5	5.5	43.5	22	24	16.5
MAVEV06PSG04	630 bar	6	G 1/2	3.5	5.5	45.0	27	17	20.0
MAVEV08PSG04		8	G 1/2	3.5	5.5	45.0	27	19	20.0
MAVEV10PSG04		10	G 1/2	6.5	5.5	47.0	27	22	20.0
MAVEV12PSG04		12	G 1/2	7.0	5.5	47.5	27	24	20.0

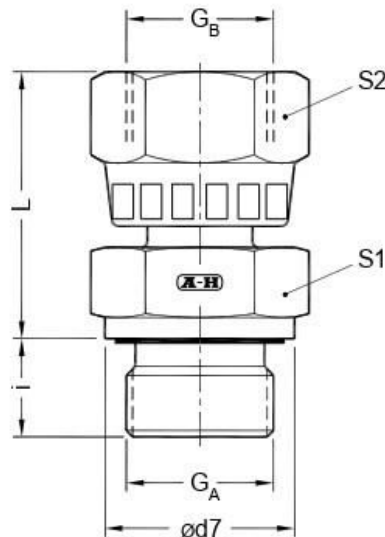
ATAUFF HYDRAULIC STORE

Gauge Mounting Adaptors

1GA-GE

Dimensions in mm

DIN Fittings



Part No.	Stud end G_A	Gauge end G_B	i	L	Ød7	S1	S2
1GAG02EG02		G 1/4					19
1GAG02EG03	G 1/4	G 3/8	12	42.0	19	19	22
1GAG02EG04		G 1/2					27
1GAG03EG02		G 1/4					19
1GAG03EG03	G 3/8	G 3/8	12	44.5	22	22	22
1GAG03EG04		G 1/2					27
1GAG04EG02		G 1/4					19
1GAG04EG03	G 1/2	G 3/8	14	52.0	27	27	22
1GAG04EG04		G 1/2					27

ATAUFF HYDRAULIC STORE

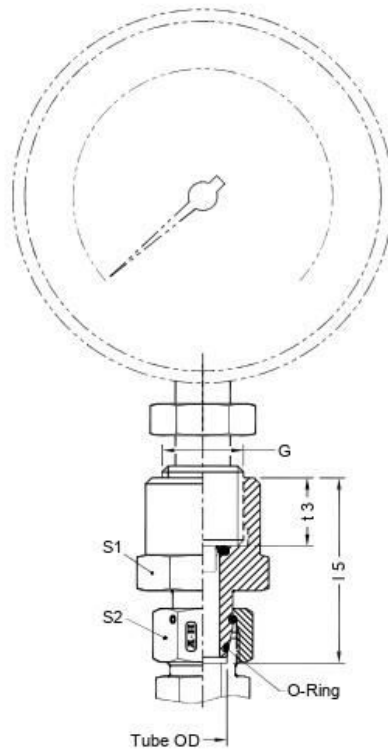
Adjustable Pressure Gauge Standpipes with O-Ring

MAVE-G

Dimensions in mm

DIN Fittings

For Metric Tube ends (24°) as per ISO 8434
Gauge is not in scope of supply



Low Pressure Series

Part No.	Series	Tube od	Connection thread G	t 3	l 5	S1	S2	O-Ring ID x CSD
MAVE06LG02	250 bar	6	G 1/4	10	35.5	19	14	4.0 x 1.5
MAVE08LG02		8	G 1/4	10	35.5	19	17	6.0 x 1.5
MAVE10LG02		10	G 1/4	10	36.0	19	19	7.5 x 1.5
MAVE12LG02		12	G 1/4	10	36.0	19	22	9.0 x 1.5
MAVE06LG03	250 bar	6	G 3/8	13	37.0	24	14	4.0 x 1.5
MAVE08LG03		8	G 3/8	13	37.5	24	17	6.0 x 1.5
MAVE10LG03		10	G 3/8	13	38.5	24	19	7.5 x 1.5
MAVE12LG03		12	G 3/8	13	38.0	24	22	9.0 x 1.5
MAVE06LG04	250 bar	6	G 1/2	16	42.5	27	14	4.0 x 1.5
MAVE08LG04		8	G 1/2	16	43.0	27	17	6.0 x 1.5
MAVE10LG04		10	G 1/2	16	43.5	27	19	7.5 x 1.5
MAVE12LG04		12	G 1/2	16	45.0	27	22	9.0 x 1.5

ATAUFF HYDRAULIC STORE

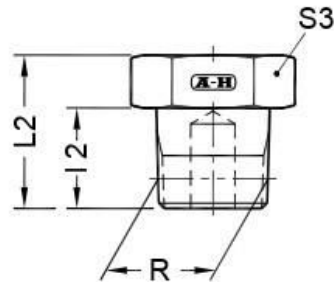
Plugs

VST-R

Dimensions in mm

DIN Fittings

Hex head Plug
Male thread : BSP Taper (R)



Part No.	R - Male thread BSPT	l2	L2	S3
VSTR01	R 1/8" -27	7.5	11.5	12
VSTR02	R 1/4" -18	11.0	17.0	14
VSTR03	R 3/8" -18	11.5	17.5	19
VSTR04	R 1/2" -14	15.0	25.0	22
VSTR06	R 3/4" -14	16.5	26.5	30
VSTR08	R 1" -11 1/2	19.0	31.0	36
VSTR10	R 1 1/4" -11 1/2	21.5	35.0	46
VSTR12	R 1 1/2" -11 1/2	21.5	35.0	50

ATAUFF HYDRAULIC STORE

Plugs

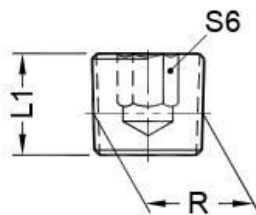
VSTI-R

Dimensions in mm

DIN Fittings

Socket head Plug

Male thread : BSP Taper (R)



Part No.	R - Male thread BSPT	L1	S6
VSTIR01	R 1/8" -27	8.0	5
VSTIR02	R 1/4" -18	10.0	7
VSTIR03	R 3/8" -18	10.0	8
VSTIR04	R 1/2" -14	10.0	10
VSTIR06	R 3/4" -14	12.0	12
VSTIR08	R 1" -11 1/2	12.0	17
VSTIR10	R 1 1/4" -11 1/2	18.0	22
VSTIR12	R 1 1/2" -11 1/2	20.0	24

ATAUFF HYDRAULIC STORE

Plugs

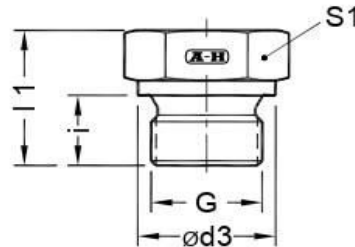
VST-G

Dimensions in mm

DIN Fittings

Hex head Plug

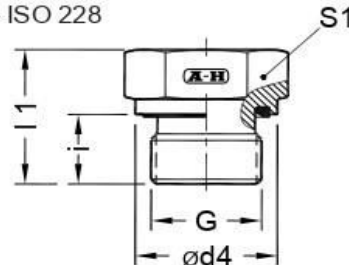
Male thread : BSPP (G) - ISO 228



Part No.	G Male thread BSPP	$\phi d3$	i	I 1	S1
VSTG01	G 1/8	14	8	14.5	14
VSTG02	G 1/4	18	12	20.0	19
VSTG03	G 3/8	22	12	22.5	22
VSTG04	G 1/2	26	14	24.0	27
VSTG06	G 3/4	32	16	26.0	32
VSTG08	G 1	39	16	27.0	41
VSTG10	G1 1/4	49	16	28.0	50
VSTG12	G1 1/2	55	16	30.0	55

Hex head Plug with Elastomeric seal

Male thread : BSPP (G) - ISO 228



Part No.	G Male thread BSPP	$\phi d4$	i	I 1	S1
VSTG01E	G 1/8	14	8	14.5	14
VSTG02E	G 1/4	19	12	20.0	19
VSTG03E	G 3/8	22	12	22.5	22
VSTG04E	G 1/2	27	14	24.0	27
VSTG06E	G 3/4	32	16	26.0	32
VSTG08E	G 1	40	16	27.0	41
VSTG10E	G1 1/4	50	16	28.0	50
VSTG12E	G1 1/2	55	16	30.0	55

ATAUFF HYDRAULIC STORE

Plugs

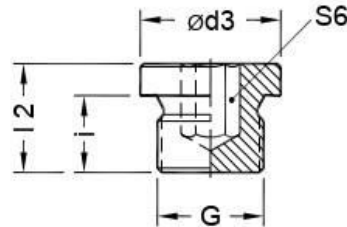
VSTI-G

Dimensions in mm

DIN Fittings

Socket head Plug

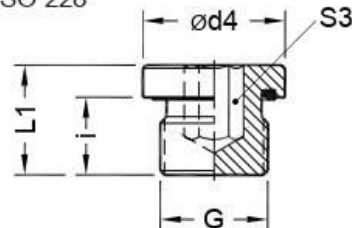
Male thread : BSPP (G) - ISO 228



Part No.	G Male thread BSP	Ød3	i	I2	S6
VSTIG01	G 1/8	14	8	11	5
VSTIG02	G 1/4	18	12	15	6
VSTIG03	G 3/8	22	12	15	8
VSTIG04	G 1/2	26	14	18	10
VSTIG06	G 3/4	32	16	20	12
VSTIG08	G 1	39	16	21	17
VSTIG10	G1 1/4	49	16	21	22
VSTIG12	G1 1/2	55	16	21	24

Socket head Plug with Elastomeric Seal

Male thread : BSPP (G) - ISO 228



Part No.	G Male thread BSP	Ød4	i	L1	S3
VSTIG01E	G 1/8	14	8	13	5
VSTIG02E	G 1/4	19	12	17	6
VSTIG03E	G 3/8	22	12	17	8
VSTIG04E	G 1/2	27	14	20	10
VSTIG06E	G 3/4	32	16	22	12
VSTIG08E	G 1	40	16	24	17
VSTIG10E	G1 1/4	50	16	24	22
VSTIG12E	G1 1/2	55	16	24	24

ATAUFF HYDRAULIC STORE

Plugs

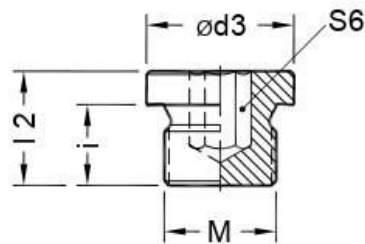
VSTI-M

Dimensions in mm

DIN Fittings

Socket head Plug

Male thread : Metric (M) - ISO 261



Part No.	Working Pressure (bar)	M Male thread Metric	ød3	i	l 2	S6	Tightening Torque N-m
VSTIM10	400	M10 x 1.0	14	8	12.3	5	12
VSTIM12	400	M12 x 1.5	17	12	17.3	6	25
VSTIM14	400	M14 x 1.5	19	12	17.3	6	35
VSTIM16	400	M16 x 1.5	22	12	17.3	8	50
VSTIM18	400	M18 x 1.5	24	12	17.3	8	60
VSTIM20	400	M20 x 1.5	26	14	19.3	10	70
VSTIM22	400	M22 x 1.5	27	14	19.3	10	80
VSTIM26	160	M26 x 1.5	32	16	21.3	12	120
VSTIM27	400	M27 x 2.0	32	16	21.3	12	135
VSTIM33	400	M33 x 2.0	40	16	22.8	17	225
VSTIM42	250	M42 x 2.0	50	16	22.8	22	360
VSTIM48	250	M48 x 2.0	55	16	22.8	24	400

ATAUFF HYDRAULIC STORE

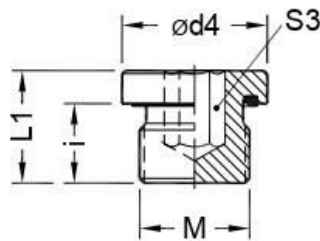
Plugs

VSTI-ME

Dimensions in mm

DIN Fittings

Socket head Plug with Elastomeric seal (ISO 9974-4)
Male thread : Metric (M) - ISO 261



Part No.	Working Pressure (bar)	M Male thread Metric	Ød4	i	L1	S3	Tightening Torque N-m
VSTIM10E	400	M10 x 1.0	14	8	12.3	5	12
VSTIM12E	400	M12 x 1.5	17	12	17.3	6	25
VSTIM14E	400	M14 x 1.5	19	12	17.3	6	35
VSTIM16E	400	M16 x 1.5	22	12	17.3	8	50
VSTIM18E	400	M18 x 1.5	24	12	17.3	8	60
VSTIM20E	400	M20 x 1.5	26	14	19.3	10	70
VSTIM22E	400	M22 x 1.5	27	14	19.3	10	80
VSTIM26E	160	M26 x 1.5	32	16	21.3	12	120
VSTIM27E	400	M27 x 2.0	32	16	21.3	12	135
VSTIM33E	400	M33 x 2.0	40	16	22.8	17	225
VSTIM42E	250	M42 x 2.0	50	16	22.8	22	360
VSTIM48E	250	M48 x 2.0	55	16	22.8	24	400

ATAUFF HYDRAULIC STORE

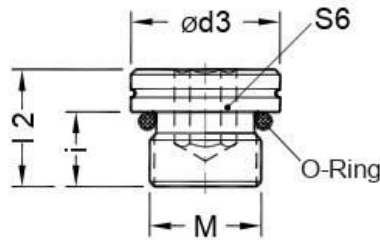
Plugs

VSTI-MO

Dimensions in mm

DIN Fittings

Socket head Plug with O-Ring (ISO 6149-4)
Male thread : Metric (M) - ISO 261



Part No.	Working Pressure (bar)	M Male thread Metric	$\varnothing d3$	i	l2	S6	O-Ring ID x CSD	Tightening Torque N-m
VSTIM100	420	M10 x 1.0	13.8	9.5	13.5	5	8.1 x 1.6	15
VSTIM120	420	M12 x 1.5	16.8	11.0	15.5	6	9.3 x 2.2	22
VSTIM140	630	M14 x 1.5	18.8	11.0	16.0	6	11.3 x 2.2	45
VSTIM160	630	M16 x 1.5	21.8	12.5	17.5	8	13.3 x 2.2	55
VSTIM180	630	M18 x 1.5	23.8	14.0	19.0	8	15.3 x 2.2	70
VSTIM220	630	M22 x 1.5	26.8	15.0	20.0	10	19.3 x 2.2	100
VSTIM260 *	400	M26 x 1.5	31.0	16.0	21.0	12	23.0 x 2.4	—
VSTIM270	400	M27 x 2.0	31.8	18.5	23.5	12	23.6 x 2.9	170
VSTIM300	400	M30 x 2.0	35.8	18.5	24.5	14	26.6 x 2.9	215
VSTIM330	400	M33 x 2.0	40.8	18.5	24.5	14	29.6 x 2.9	310
VSTIM420	250	M42 x 2.0	49.8	19.0	25.0	17	38.6 x 2.9	330
VSTIM480	250	M48 x 2.0	54.8	21.5	27.5	17	44.6 x 2.9	420
VSTIM600	250	M60 x 2.0	64.8	24.0	30.0	19	56.6 x 2.9	500

* Not included in ISO 6149-4 standard

ATAUFF HYDRAULIC STORE

Plugs

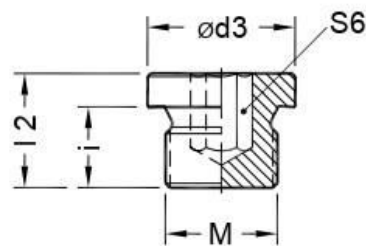
VSTI-M

Dimensions in mm

DIN Fittings

Socket head Plug

Male thread : Metric (M) - ISO 261



Part No.	Working Pressure (bar)	M Male thread Metric	$\varnothing d3$	i	$l2$	S6	Tightening Torque N-m
VSTIM10	400	M10 x 1.0	14	8	12.3	5	12
VSTIM12	400	M12 x 1.5	17	12	17.3	6	25
VSTIM14	400	M14 x 1.5	19	12	17.3	6	35
VSTIM16	400	M16 x 1.5	22	12	17.3	8	50
VSTIM18	400	M18 x 1.5	24	12	17.3	8	60
VSTIM20	400	M20 x 1.5	26	14	19.3	10	70
VSTIM22	400	M22 x 1.5	27	14	19.3	10	80
VSTIM26	160	M26 x 1.5	32	16	21.3	12	120
VSTIM27	400	M27 x 2.0	32	16	21.3	12	135
VSTIM33	400	M33 x 2.0	40	16	22.8	17	225
VSTIM42	250	M42 x 2.0	50	16	22.8	22	360
VSTIM48	250	M48 x 2.0	55	16	22.8	24	400

ATAUFF HYDRAULIC STORE

Plugs

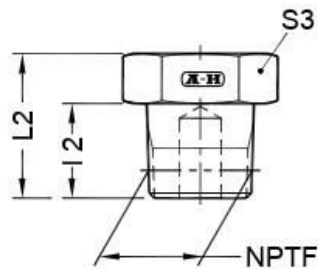
VST-NPT

Dimensions in mm

DIN Fittings

Hex head Plug

Male thread : NPTF (SAE J476)



Part No.	Male thread NPTF	I 2	L2	S3
VSTN01	1/8" -27	9.7	14.5	12
VSTN02	1/4" -18	14.2	19.0	17
VSTN03	3/8" -18	14.2	19.5	19
VSTN04	1/2" -14	19.05	24.0	24
VSTN06	3/4" -14	19.05	27.0	30
VSTN08	1.0" -11 1/2	23.9	32.0	36
VSTN10	1 1/4" -11 1/2	24.6	32.5	46
VSTN12	1 1/2" -11 1/2	25.4	35.0	50
VSTN16	2.0" -11 1/2	26.2	38.0	65

ATAUFF HYDRAULIC STORE

Plugs

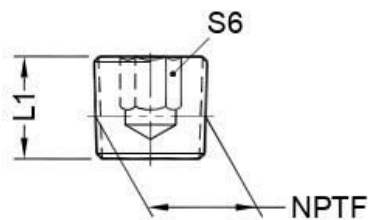
VSTI-NPT

Dimensions in mm

DIN Fittings

Socket head Plug

Male thread : NPTF (SAE J476)



Part No.	Male thread NPTF	L1	S6
VSTIN00	1/16" -27	7.8	4
VSTIN01	1/8" -27	7.8	5
VSTIN02	1/4" -18	12.0	6
VSTIN03	3/8" -18	12.0	8
VSTIN04	1/2" -14	16.0	10
VSTIN06	3/4" -14	16.2	14
VSTIN08	1.0" -11 1/2	20.0	14
VSTIN10	1 1/4" -11 1/2	20.0	25.4
VSTIN12	1 1/2" -11 1/2	20.0	30
VSTIN16	2.0" -11 1/2	21.0	30

ATAUFF HYDRAULIC STORE

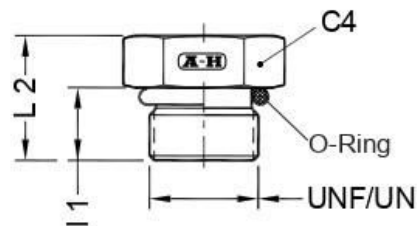
Plugs

VST-S

Dimensions in mm

DIN Fittings

Hex head Plug with O-Ring
Male thread : SAE (UNF/UN) - ISO 263



Part No.	Male thread UNF/UN	I 1	L2	C4	O - Ring ID x CSD
VSTS02	5/16" -24	7.54	15.2	12	6.07 x 1.63
VSTS03	3/8" -24	7.54	15.2	12	7.65 x 1.63
VSTS04	7/16" -20	9.14	17.0	14	8.92 x 1.83
VSTS05	1/2" -20	9.14	17.0	17	10.52 x 1.83
VSTS06	9/16" -18	9.93	18.5	17	11.89 x 1.98
VSTS08	3/4" -16	11.13	20.3	22	16.36 x 2.21
VSTS10	7/8" -14	12.7	23.6	27	19.18 x 2.46
VSTS12	1.1/16" -12	15.09	27.7	32	23.47 x 2.95
VSTS14	1.3/16" -12	15.09	27.7	36	26.62 x 2.95
VSTS16	1.5/16" -12	15.09	28.4	41	29.74 x 2.95
VSTS20	1.5/8" -12	15.09	30.5	46	37.47 x 3.00
VSTS24	1.7/8" -12	15.09	32.3	55	43.69 x 3.00
VSTS32	2.1/2" -12	15.09	36.3	70	59.36 x 3.00

ATAUFF HYDRAULIC STORE

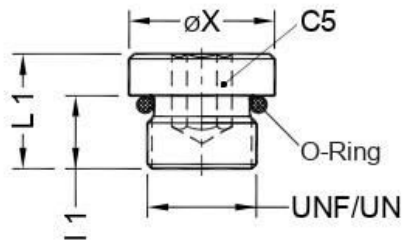
Plugs

VSTI-S

Dimensions in mm

DIN Fittings

Socket head Plug with O-Ring
Male thread : SAE (UNF/UN) - ISO 263



Part No.	Male thread UNF/UN	ØX	I1	L1	C5	O - Ring ID x CSD
VSTIS02	5/16" -24	11.13	7.54	10.2	3.18	6.07 x 1.63
VSTIS03	3/8" -24	12.70	7.54	10.2	3.18	7.65 x 1.63
VSTIS04	7/16" -20	14.30	9.14	11.9	4.78	8.92 x 1.83
VSTIS05	1/2" -20	15.88	9.14	11.9	4.78	10.52 x 1.83
VSTIS06	9/16" -18	17.48	9.93	12.7	6.35	11.89 x 1.98
VSTIS08	3/4" -16	22.00	11.13	14.7	7.95	16.36 x 2.21
VSTIS10	7/8" -14	25.40	12.7	16.5	9.52	19.18 x 2.46
VSTIS12	1.1/16" -12	31.75	15.09	19.5	14.3	23.47 x 2.95
VSTIS14	1.3/16" -12	34.92	15.09	19.5	14.3	26.62 x 2.95
VSTIS16	1.5/16" -12	38.10	15.09	19.5	15.88	29.74 x 2.95
VSTIS20	1.5/8" -12	47.62	15.09	19.5	19.05	37.47 x 3.00
VSTIS24	1.7/8" -12	53.98	15.09	19.5	19.05	43.69 x 3.00
VSTIS32	2.1/2" -12	69.85	15.09	19.5	19.05	59.36 x 3.00

ATAUFF HYDRAULIC STORE

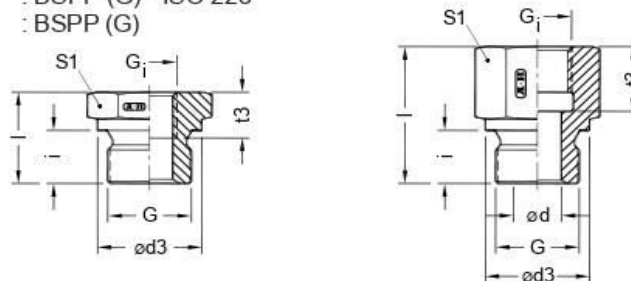
Male female Adaptors

MFA - G - G

Dimensions in mm

DIN Fittings

Male thread : BSPP (G) - ISO 228
 Female thread : BSPP (G)



Part No.	Pressure	Male Thread G	Female Thread Gi	l	i	S1	Ød	Ød3	t 3
MFAG01G02	630 bar	G 1 / 8 A	G 1 / 4	31	8	19	4	14	17.0
MFAG01G03	630 bar	G 1 / 8 A	G 3 / 8	32	8	24	4	14	17.0
MFAG02G01	630 bar	G 1 / 4 A	G 1 / 8	28	12	19	5	18	12.0
MFAG02G03	630 bar	G 1 / 4 A	G 3 / 8	36	12	24	5	18	17.0
MFAG02G04	630 bar	G 1 / 4 A	G 1 / 2	40	12	30	5	18	20.0
MFAG02G06	630 bar	G 1 / 4 A	G 3 / 4	43	12	36	5	18	22.0
MFAG03G01	630 bar	G 3 / 8 A	G 1 / 8	22.5	12	22	--	22	8.0
MFAG03G02	630 bar	G 3 / 8 A	G 1 / 4	36	12	22	8	22	17.0
MFAG03G04	630 bar	G 3 / 8 A	G 1 / 2	41	12	30	8	22	20.0
MFAG03G06	400 bar	G 3 / 8 A	G 3 / 4	44	12	36	8	22	22.0
MFAG04G02	630 bar	G 1 / 2 A	G 1 / 4	24	14	27	--	26	12.0
MFAG04G03	630 bar	G 1 / 2 A	G 3 / 8	36	14	27	12	26	17.0
MFAG04G06	400 bar	G 1 / 2 A	G 3 / 4	46	14	36	12	26	22.0
MFAG04G08	400 bar	G 1 / 2 A	G 1	49	14	41	12	26	24.5
MFAG04G10	250 bar	G 1 / 2 A	G1.1 / 4	53	14	55	10	26	26.5
MFAG06G02	400 bar	G 3 / 4 A	G 1 / 4	26.0	16	32	--	32	12.0
MFAG06G03	400 bar	G 3 / 4 A	G 3 / 8	26.0	16	32	--	32	12.0
MFAG06G04	400 bar	G 3 / 4 A	G 1 / 2	41	16	32	16	32	20.0
MFAG06G08	400 bar	G 3 / 4 A	G 1	51	16	41	16	32	24.5
MFAG06G10	250 bar	G 3 / 4 A	G1 1/4	55	16	55	16	32	26.5
MFAG06G12	250 bar	G 3 / 4 A	G1 1/2	57	16	60	16	32	28.5
MFAG08G02	400 bar	G 1 A	G 1 / 4	29.0	18	41	--	39	12.0
MFAG08G03	400 bar	G 1 A	G 3 / 8	29.0	18	41	--	39	12.0
MFAG08G04	400 bar	G 1 A	G 1 / 2	29.0	18	41	--	39	14.0
MFAG08G06	400 bar	G 1 A	G 3 / 4	47	18	41	20	39	22.0
MFAG08G10	250 bar	G 1 A	G1.1/4	57	18	55	20	39	26.5
MFAG08G12	250 bar	G 1 A	G1.1/2	59	18	60	20	39	28.5
MFAG10G04	250 bar	G1.1/4 A	G 1 / 2	32.0	20	50	--	49	14.0
MFAG10G06	250 bar	G1.1/4 A	G 3 / 4	32.0	20	50	--	49	16.0
MFAG10G08	250 bar	G1.1 / 4 A	G 1	52	20	50	25	49	24.5
MFAG10G12	250 bar	G1.1 / 4 A	G1 1/2	60	20	60	25	49	28.5
MFAG12G04	250 bar	G1.1/2 A	G 1 / 2	36.0	22	55	--	55	14.0
MFAG12G06	250 bar	G1.1/2 A	G 3 / 4	36.0	22	55	--	55	16.0
MFAG12G08	250 bar	G1.1/2 A	G 1	36.0	22	55	--	55	18.0
MFAG12G10	250 bar	G1 1 / 2	G1 1/4	58	22	55	32	55	26.5

ATAUFF HYDRAULIC STORE

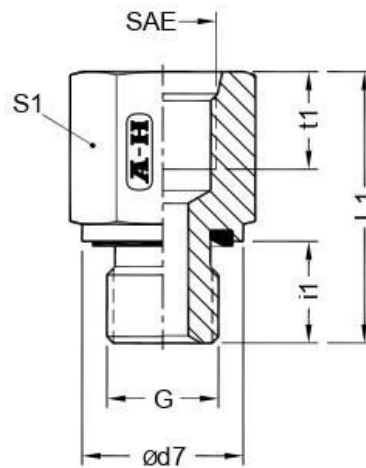
Male female Adaptors

MFA - G - S

Dimensions in mm

DIN Fittings

- Male thread : BSPP (G) - ISO 228
DIN 3852-Part 11, with Elastomeric seal
- Female thread : UN/UNF (SAE)



Part No.	Male thread 'G'	Female SAE Class 2B	ød7	i 1	t 1	L1	S1
MFAG01S02	G 1/8 A	5/16" - 24	14	8	10.0	24	14
MFAG01S03	G 1/8 A	3/8" - 24	14	8	10.0	24	17
MFAG02S04	G 1/4 A	7/16" - 20	19	12	11.5	30	19
MFAG02S05	G 1/4 A	1/2" - 20	19	12	11.5	32	19
MFAG02S06	G 1/4 A	9/16" - 18	19	12	13.0	34	22
MFAG03S08	G 3/8 A	3/4" - 16	22	12	14.0	36	27
MFAG04S10	G 1/2 A	7/8" - 14	27	14	16.5	42	30
MFAG06S12	G 3/4 A	1.1/16" - 12	32	16	19.0	45	36
MFAG08S14	G 1 A	1.3/16" - 12	40	18	19.0	50	41
MFAG08S16	G 1 A	1.5/16" - 12	40	18	19.0	50	41
MFAG10S20	G1.1/4 A	1.5/8" - 12	50	20	19.0	53	55
MFAG12S24	G1.1/2 A	1.7/8" - 12	55	22	19.0	55	60
MFAG16S32	*G 2 A	2.1/2" - 12	75	24	19.0	62	75

* Thread size - G2 is not included in DIN 3852 Part 11

ATAUFF HYDRAULIC STORE

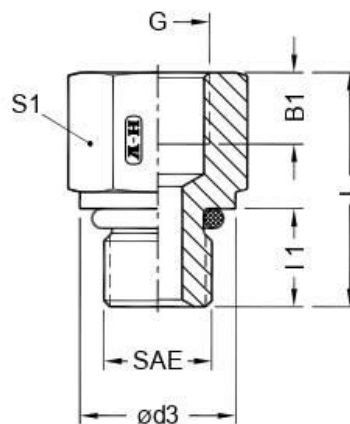
Male female Adaptors

MFA - S - G

Dimensions in mm

DIN Fittings

Male thread : UN/UNF (SAE)
with O-Ring sealing (NBR 90 Shore)
Female thread : BSPP (G)



Part No.	Male SAE Class 2A	Female thread 'G'	ød3	I 1	B1	L	S1	O - Ring
MFAS02G01	5/16" - 24	G 1/8	11.0	7.5	9	24	17	6.07 x 1.63
MFAS03G01	3/8" - 24	G 1/8	13.0	7.5	9	24	17	7.65 x 1.63
MFAS04G02	7/16" - 20	G 1/4	14.5	9	13	32	22	8.92 x 1.83
MFAS05G02	1/2" - 20	G 1/4	16.0	9	13	32	22	10.52 x 1.83
MFAS06G02	9/16" - 18	G 1/4	17.5	10	13	34	22	11.89 x 1.98
MFAS08G03	3/4" - 16	G 3/8	22.0	11	13	34	27	16.36 x 2.21
MFAS10G04	7/8" - 14	G 1/2	25.5	13	15	40	30	19.18 x 2.46
MFAS12G06	1.1/16" - 12	G 3/4	32.0	15	17	45	36	23.47 x 2.95
MFAS14G08	1.3/16" - 12	G 1	35.0	15	19	50	46	26.62 x 2.95
MFAS16G08	1.5/16" - 12	G 1	38.0	15	19	50	46	29.74 x 2.95
MFAS20G10	1.5/8" - 12	G1.1/4	48.0	15	21	55	55	37.47 x 3.00
MFAS24G12	1.7/8" - 12	G1.1/2	54.0	15	23	55	60	43.69 x 3.00
MFAS32G16	2.1/2" - 12	G 2	70.0	15	25	60	75	59.36 x 3.00

ATAUFF HYDRAULIC STORE

Hose Adaptors

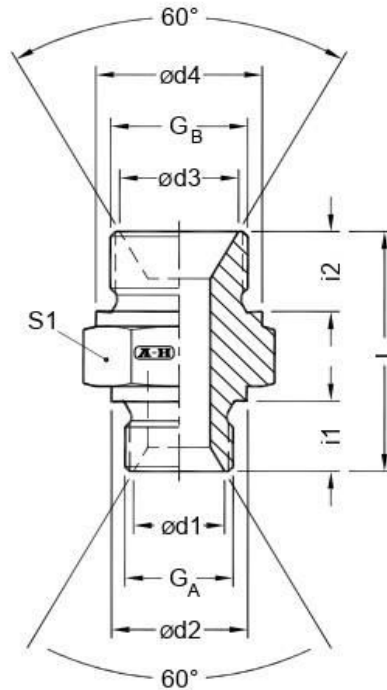
HA - G

Dimensions in mm

DIN Fittings

Hose adaptors as per BS 5200

Male threads -----
BSPP (G) as per - ISO 228



Part No.	G_A	G_B	ød1	ød2	ød3	ød4	$i1$	$i2$	L	S1
HAG01G01	G 1/8	G 1/8	7.5	14	7.5	14	8	8	26.0	14
HAG01G02	G 1/8	G 1/4	7.5	14	10.4	18	8	11	29.5	19
HAG02G02	G 1/4	G 1/4	10.4	18	10.4	18	11	11	33.0	19
HAG02G03	G 1/4	G 3/8	10.4	18	14.0	22	11	12	36.5	22
HAG02G04	G 1/4	G 1/2	10.4	18	17.5	26	11	14	39.0	27
HAG03G03	G 3/8	G 3/8	14.0	22	14.0	22	12	12	38.0	22
HAG03G04	G 3/8	G 1/2	14.0	22	17.5	26	12	14	40.5	27
HAG03G06	G 3/8	G 3/4	14.0	22	22.9	32	12	16	44.5	32
HAG04G04	G 1/2	G 1/2	17.5	26	17.5	26	14	14	43.0	27
HAG04G06	G 1/2	G 3/4	17.5	26	22.9	32	14	16	47.0	32
HAG04G08	G 1/2	G 1	17.5	26	28.7	39	14	19	50.0	41
HAG06G06	G 3/4	G 3/4	22.9	32	22.9	32	16	16	49.0	32
HAG06G08	G 3/4	G 1	22.9	32	28.7	39	16	19	52.0	41
HAG06G10	G 3/4	G 1,1/4	22.9	32	36.8	49	16	20	57.0	50
HAG08G08	G 1	G 1	28.7	39	28.7	39	19	19	55.0	41
HAG08G10	G 1	G 1,1/4	28.7	39	36.8	49	19	20	60.0	50
HAG08G12	G 1	G 1,1/2	28.7	39	42.7	55	19	22	63.0	55
HAG10G10	G 1,1/4	G 1,1/4	36.8	49	36.8	49	20	20	61.0	50
HAG10G12	G 1,1/4	G 1,1/2	36.8	49	42.7	55	20	22	64.0	55
HAG12G12	G 1,1/2	G 1,1/2	42.7	55	42.7	55	22	22	66.0	55

ATAUFF HYDRAULIC STORE

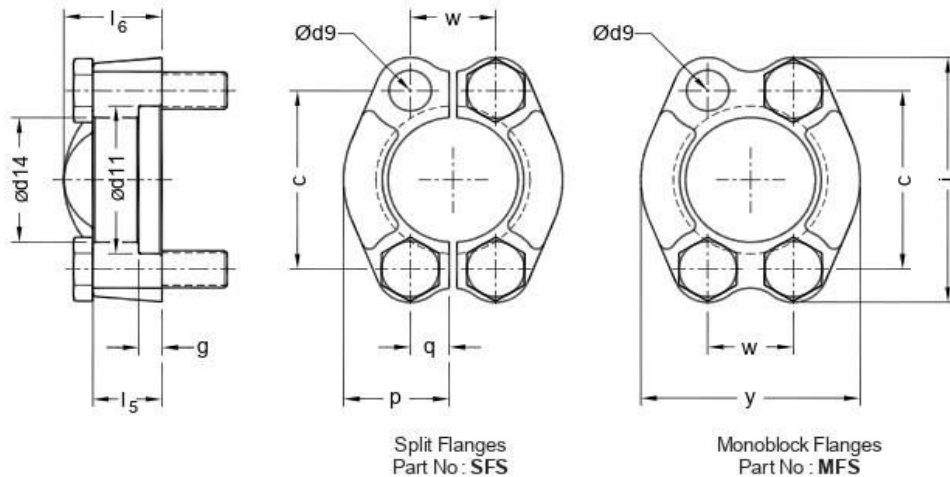
Split and Monoblock forged flanges

SFS / MFS

Dimensions in mm

DIN Fittings

Mounting Interface conforms to ISO 6162



Standard Pressure Series (Code 61)

Split flanges	Monoblock flanges	Size	Ød11	Ød14	g	l ₅	l ₆	c	p	q	j	w	y
SFS 04	MFS 04	1/2	31.0	24.3	6.2	13	19	38.1	21.8	8	54	17.5	46
SFS 06	MFS 06	3/4	38.9	32.2	6.2	14	22	47.6	24.9	10	65	22.3	52
SFS 08	MFS 08	1	45.3	38.5	7.5	16	22	52.4	28.2	12	70	26.2	59
SFS 10	MFS 10	1 1/4	51.6	43.7	7.5	14	24	58.7	35.3	14	79	30.2	73
SFS 12	MFS 12	1 1/2	61.1	50.8	7.5	16	25	69.9	40.1	17	94	35.7	83
SFS 16	MFS 16	2	72.3	62.8	9.0	16	26	77.8	47.2	21	102	42.9	97
SFS 20	MFS 20	2 1/2	84.9	74.9	9.0	19	38	88.9	53.1	24	115	50.8	109
SFS 24	MFS 24	3	102.4	90.9	9.0	22	41	106.4	64.3	30	135	61.9	131
SFS 28	MFS 28	3 1/2	115.1	102.4	10.7	22	28	120.7	68.6	34	152	69.9	140
SFS 32	MFS 32	4	127.8	115.0	10.7	25	35	130.2	74.9	38	162	77.8	152
SFS 40	MFS 40	5	153.2	140.5	10.7	28	41	152.4	89.4	45	184	92.1	181
Split flanges	Monoblock flanges	Size	Pr (bar)	Ød9 for Metric	Ød9 for UNC	Metric bolt	Torque (N-m)	UNC (INCH) bolt	Torque (N-m)				
SFS 04	MFS 04	1/2	350	9.0	8.7	M8 x 25	25	5/16" - 18 x 32	25				
SFS 06	MFS 06	3/4	350	11.0	10.3	M10 x 30	53	3/8" - 16 x 32	45				
SFS 08	MFS 08	1	350	11.0	10.3	M10 x 30	53	3/8" - 16 x 32	45				
SFS 10	MFS 10	1 1/4	250	11.0	11.9	M10 x 30	53	7/16" - 14 x 38	73				
SFS 12	MFS 12	1 1/2	200	13.5	13.5	M12 x 35	95	1/2" - 13 x 38	110				
SFS 16	MFS 16	2	200	13.5	13.5	M12 x 35	95	1/2" - 13 x 38	110				
SFS 20	MFS 20	2 1/2	160	13.5	13.5	M12 x 40	95	1/2" - 13 x 44	110				
SFS 24	MFS 24	3	100	17.5	16.6	M16 x 50	220	5/8" - 11 x 44	220				
SFS 28	MFS 28	3 1/2	25	17.5	16.6	M16 x 50	220	5/8" - 11 x 51	220				
SFS 32	MFS 32	4	25	17.5	16.6	M16 x 50	220	5/8" - 11 x 51	220				
SFS 40	MFS 40	5	25	17.5	16.6	M16 x 55	220	5/8" - 11 x 57	220				

ATAUFF HYDRAULIC STORE

Swivel flange connections

GFS

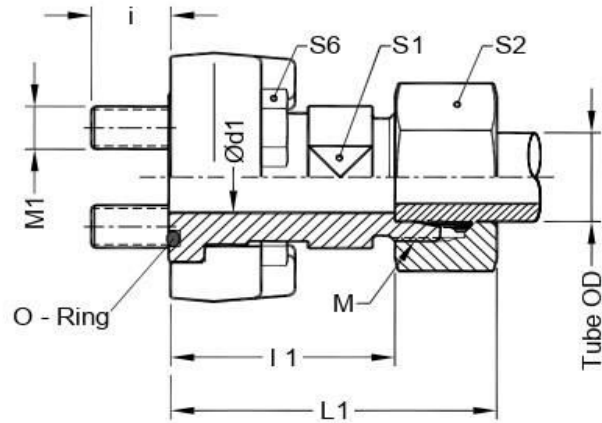
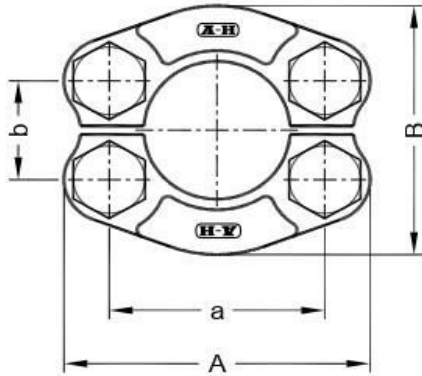
Dimensions in mm

DIN Fittings

Tube connections as per ISO 8434

Mounting Interface conforms to ISO 6162

Seal Material : NBR 90 Shore



Standard Pressure Series (Code 61)

Part No.	Nom size	Tube o.d.	A	a	B	b	M	S6	i	Split Flange	O - Ring ID x CSD	M1 Hex. bolts (10.9)
GFS3215PL	1/2	15	54	38.1	46	17.5	M22x1.5	13	12	SFS04	19.0 x 3.55	M8 x 25
GFS3216PS		16					M24x1.5					
GFS3318PL	3/4	18	65	47.6	52	22.3	M26x1.5	17	16	SFS06	25.0 x 3.55	M10 x 30
GFS3322PL		22					M30x2.0					
GFS3320PS		20					M30x2.0					
GFS3325PS		25					M36x2.0					
GFS3428PL	1	28	70	52.4	59	26.2	M36x2.0	17	14	SFS08	32.5 x 3.55	M10 x 30
GFS3430PS		30					M42x2.0					
GFS3535PL	1 1/4	35	79	58.7	73	30.2	M45x2.0	17	16	SFS10	37.5 x 3.55	M10 x 30
GFS3525PS		25					M36x2.0					
GFS3530PS		30					M42x2.0					
GFS3538PS		38					M52x2.0					
GFS3642PL	1 1/2	42	94	69.9	83	35.7	M52x2.0	19	19	SFS12	47.5 x 3.55	M12 x 35
GFS3638PS		38					M52x2.0					

Part No.	Nom size	Tube o.d.	PB bar	Ø d1	L1	L1 *	S1	S2
GFS3215PL	1/2	15	315	12	41.0	57.0	24	27
GFS3216PS		16	350	12	41.5	60.5	24	30
GFS3318PL	3/4	18	315	15	45.5	62.5	30	32
GFS3322PL		22	160	19	45.5	62.5	30	36
GFS3320PS		20	350	16	46.5	69.0	30	36
GFS3325PS		25	350	17	45.0	70.0	30	46
GFS3428PL	1	28	160	24	46.5	64.5	36	41
GFS3430PS		30	350	24	49.5	77.5	36	50
GFS3535PL	1 1/4	35	160	30	47.5	70.5	41	50
GFS3525PS		25	280	20	48.0	73.0	41	46
GFS3530PS		30	280	25	48.5	76.5	41	50
GFS3538PS		38	280	28	50.0	81.5	46	60
GFS3642PL	1 1/2	42	160	36	53.0	76.5	46	60
GFS3638PS		38	210	32	54.0	85.5	46	60

* Dimensions given are approx figures with tightened nut.

ATAUFF HYDRAULIC STORE

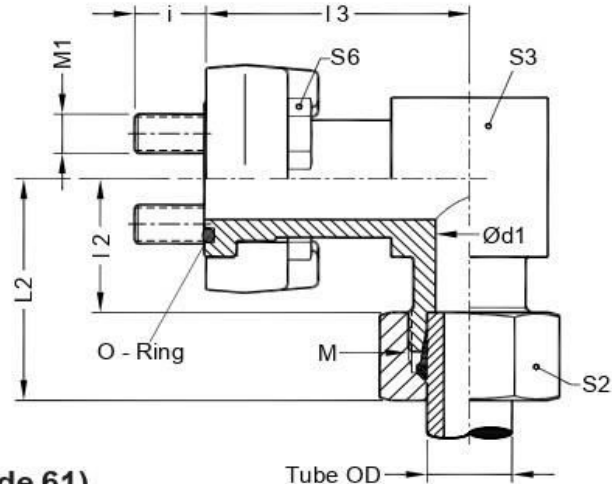
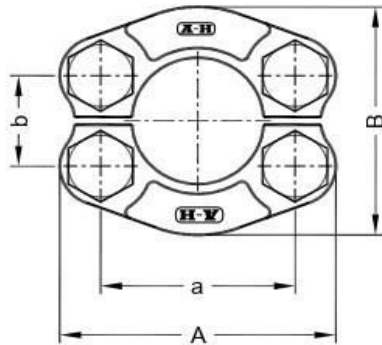
Elbow Swivel flange connections

WFS

Dimensions in mm

DIN Fittings

Tube connections as per ISO 8434
 Mounting Interface conforms to ISO 6162
 Seal Material : NBR 90 Shore



Standard Pressure Series (Code 61)

Part No.	Nom size	Tube o.d.	A	a	B	b	M	S6	i	Split Flange	O - Ring ID x CSD	M1 Hex. bolts (10.9)
WFS3215PL	1/2	15	54	38.1	46	17.5	M22x1.5	13	12	SFS04	19.0 x 3.55	M8 x 25
WFS3216PS		16					M24x1.5					
WFS3318PL	3/4	18	65	47.6	52	22.3	M26x1.5	17	16	SFS06	25.0 x 3.55	M10 x 30
WFS3322PL		22					M30x2.0					
WFS3320PS		20					M30x2.0					
WFS3325PS		25					M36x2.0					
WFS3428PL	1	28	70	52.4	59	26.2	M36x2.0	17	14	SFS08	32.5 x 3.55	M10 x 30
WFS3430PS		30					M42x2.0					
WFS3535PL	1 1/4	35	79	58.7	73	30.2	M45x2.0	17	16	SFS10	37.5 x 3.55	M10 x 30
WFS3525PS		25					M36x2.0					
WFS3530PS		30					M42x2.0					
WFS3538PS		38					M52x2.0					
WFS3642PL	1 1/2	42	94	69.9	83	35.7	M52x2.0	19	19	SFS12	47.5 x 3.55	M12 x 35
WFS3638PS		38					M52x2.0					
Part No.	Nom size	Tube o.d.	PB bar	Ø d1	L2	L3	L2*	S2	S3			
WFS3215PL	1/2	15	315	12	29.0	45.5	45.0	27	27			
WFS3216PS		16	350	12	29.5	45.5	48.5	30	27			
WFS3318PL	3/4	18	315	15	31.5	52.5	48.5	32	27			
WFS3322PL		22	160	19	33.5	54.0	50.5	36	30			
WFS3320PS		20	350	16	32.5	54.0	55.0	36	30			
WFS3325PS		25	350	17	33.0	57.0	58.0	46	36			
WFS3428PL	1	28	160	24	36.5	57.0	54.5	41	36			
WFS3430PS		30	350	24	36.5	62.0	64.5	50	46			
WFS3535PL	1 1/4	35	160	30	46.5	69.0	69.5	50	46			
WFS3525PS		25	280	20	43.0	69.0	68.0	46	46			
WFS3530PS		30	280	25	43.5	69.0	71.5	50	46			
WFS3538PS		38	280	28	43.0	73.5	74.5	60	55			
WFS3642PL	1 1/2	42	160	36	47.0	73.5	70.5	60	55			
WFS3638PS		38	210	32	48.0	73.5	79.5	60	55			

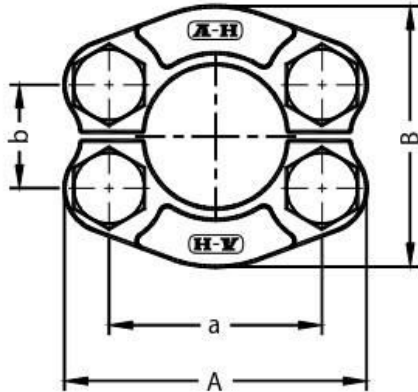
ATAUFF HYDRAULIC STORE

Swivel Flange connections

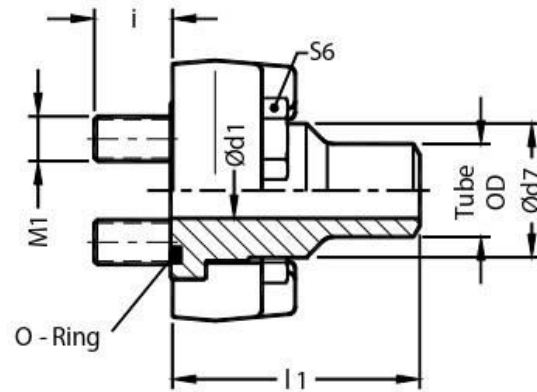
AS **

For welded tube construction
Mounting Interface conforms to ISO 6162
Seal Material - Nitrile 90 Shore

All dimensions in millimeters.



Flange Mounting Interface (ISO 6162)



Standard Pressure Series (Code 61)

Part No.	Nom size	PB (bar)	Tube od x wall th.	A	a	B	b	i	Ød1	Ød7	l1	Split Flange	O - Ring ID x CSD	Hex. bolts (10.9)
AS 3215PL	1/2	323	15 x 2.0	54	38.1	46	17.5	12	11	23.9	38	SFS 04	19.0 x 3.55	M8 x 25
AS 3216PH		350	16 x 3.0						10					
AS 3318PL	3/4	210	18 x 1.5	65	47.6	52	22.3	16	15	31.8	50	SFS 06	25.0 x 3.55	M10 x 30
AS 3322PL		228	22 x 2.0						18					
AS 3320PH		350	20 x 3.0						14					
AS 3325PH		350	25 x 4.0						17					
AS 3428PL	1	182	28 x 2.0	70	52.4	59	26.2	14	24	38.0	50	SFS 08	32.5 x 3.55	M10 x 30
AS 3430PH		350	30 x 4.5						21					
AS 3535PL	1 1/4	147	35 x 2.0	79	58.7	73	30.2	16	31	43.0	55	SFS 10	37.5 x 3.55	M10 x 30
AS 3525PH		280	25 x 3.0						19					
AS 3530PH		280	30 x 4.0						22					
AS 3538PH		280	38 x 5.0						28					
AS 3642PL	1 1/2	182	42 x 3.0	94	69.9	83	35.7	19	36	50.0	57	SFS 12	47.5 x 3.55	M12 x 35
AS 3638PH		210	38 x 4.0						30					
AS 3850PH	2	210	50 x 6.0	102	77.8	97	42.9	19	38	62.0	62	SFS 16	56.0 x 3.55	M12 x 35
AS 3865PH		210	65 x 8.0						49	65.0	62			

ATAUFF HYDRAULIC STORE

Check Valve, Model : RHD/RHZ/RHV/RHF

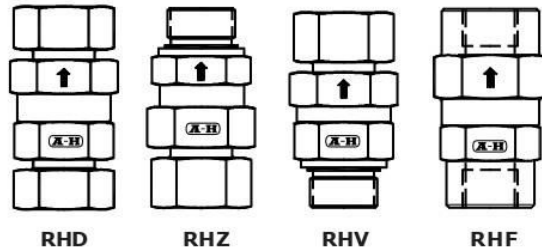
Ref. No : H04068 Release Jan 2006 (Dimensions in mm)

Description

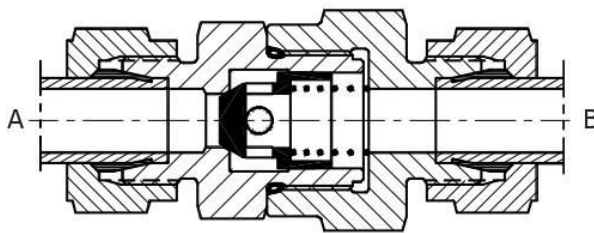
Poppet type valves.
Allows free flow from port A to B and offer leakage free closure in opposite direction.

Four basic models : RHD, RHZ, RHV and RHF
Seven standard sizes : NG 06, NG 08, NG 10, NG 15, NG 20, NG 25, NG 30

Four cracking pressure : 0.5, 1.5, 3 and 5 bar.



Section



Technical Specifications

- Construction Poppet type
- Mounting style In line
- Mounting position Optional
- Cracking pressure available 0.5, 1.5, 3, and 5 bar
- Code for cracking pressure options Omit, B, C, and D respectively.
- Flow direction From port `A' to port `B'.
- Operating pressure 315 bar.
- Hydraulic medium Mineral oil.
- Viscosity range 10 cSt to 380 cSt.
- Fluid temperature range -20 °C to +70 °C.
- Fluid cleanliness requirement As per ISO 19/16 or better.
- Maximum flow handling capacity Refer graph.

ATAUFF HYDRAULIC STORE

Check Valve, Model : RHD/RHZ/RHV/RHF

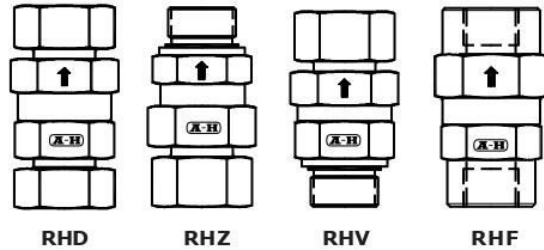
Ref. No : H04068 Release Jan 2006 (Dimensions in mm)

Description

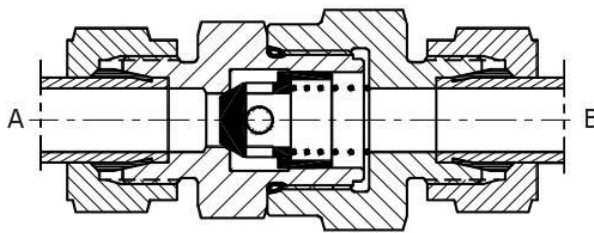
Poppet type valves.
Allows free flow from port A to B and offer leakage free closure in opposite direction.

Four basic models : RHD, RHZ, RHV and RHF
Seven standard sizes : NG 06, NG 08, NG 10, NG 15, NG 20, NG 25, NG 30

Four cracking pressure : 0.5, 1.5, 3 and 5 bar.



Section



Technical Specifications

- Construction Poppet type
- Mounting style In line
- Mounting position Optional
- Cracking pressure available 0.5, 1.5, 3, and 5 bar
- Code for cracking pressure options Omit, B, C, and D respectively.
- Flow direction From port `A' to port `B'.
- Operating pressure 315 bar.
- Hydraulic medium Mineral oil.
- Viscosity range 10 cSt to 380 cSt.
- Fluid temperature range -20 °C to +70 °C.
- Fluid cleanliness requirement As per ISO 19/16 or better.
- Maximum flow handling capacity Refer graph.

ATAUFF HYDRAULIC STORE

Check Valve, Model : RHD/RHZ/RHV/RHF

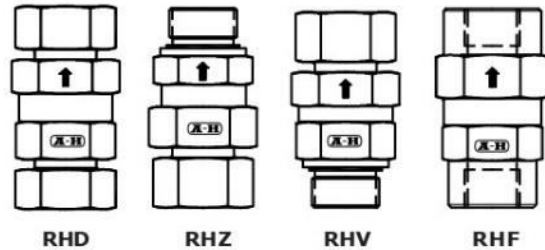
Ref. No : H04068 Release Jan 2006 (Dimensions in mm)

Description

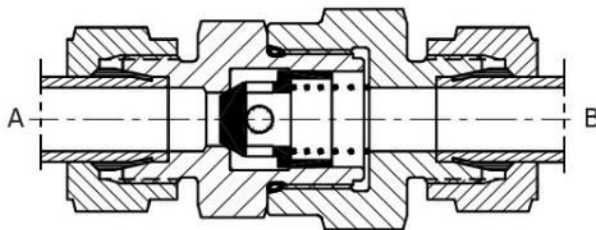
Poppet type valves.
Allows free flow from port A to B and offer leakage free closure in opposite direction.

Four basic models : RHD, RHZ, RHV and RHF
Seven standard sizes : NG 06, NG 08, NG 10, NG 15, NG 20, NG 25, NG 30

Four cracking pressure : 0.5, 1.5, 3 and 5 bar.



Section



Technical Specifications

- Construction Poppet type
- Mounting style In line
- Mounting position Optional
- Cracking pressure available 0.5, 1.5, 3, and 5 bar
- Code for cracking pressure options Omit, B, C, and D respectively.
- Flow direction From port 'A' to port 'B'.
- Operating pressure 315 bar.
- Hydraulic medium Mineral oil.
- Viscosity range 10 cSt to 380 cSt.
- Fluid temperature range -20 °C to +70 °C.
- Fluid cleanliness requirement As per ISO 19/16 or better.
- Maximum flow handling capacity Refer graph.

ATAUFF HYDRAULIC STORE

Check Valve, Model : RHD/RHZ/RHV/RHF

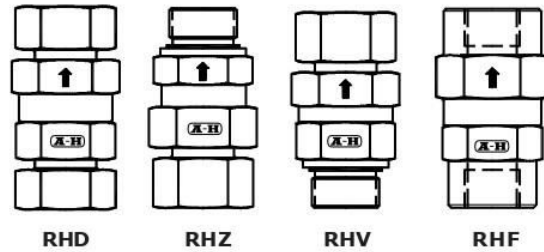
Ref. No : H04068 Release Jan 2006 (Dimensions in mm)

Description

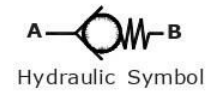
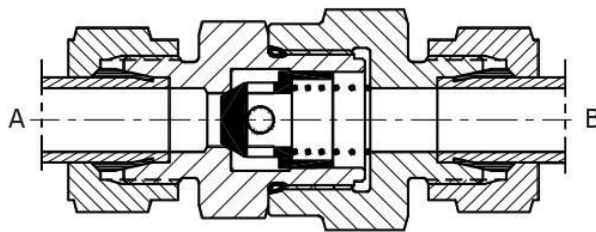
Poppet type valves.
Allows free flow from port A to B and offer leakage free closure in opposite direction.

Four basic models : RHD, RHZ, RHV and RHF
Seven standard sizes : NG 06, NG 08, NG 10, NG 15, NG 20, NG 25, NG 30

Four cracking pressure : 0.5, 1.5, 3 and 5 bar.



Section



Technical Specifications

- Construction Poppet type
- Mounting style In line
- Mounting position Optional
- Cracking pressure available 0.5, 1.5, 3, and 5 bar
- Code for cracking pressure options Omit, B, C, and D respectively.
- Flow direction From port 'A' to port 'B'.
- Operating pressure 315 bar.
- Hydraulic medium Mineral oil.
- Viscosity range 10 cSt to 380 cSt.
- Fluid temperature range -20 °C to +70 °C.
- Fluid cleanliness requirement As per ISO 19/16 or better.
- Maximum flow handling capacity Refer graph.

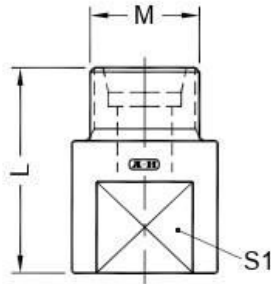
ATAUFF HYDRAULIC STORE

Pre-Setting Tools

PST

Dimensions in mm

DIN Fittings



Part No.	Tube od	M	L	S1
PST06L	6	M12 x 1.5	45	24
PST08L	8	M14 x 1.5	45	24
PST10L	10	M16 x 1.5	45	24
PST12L	12	M18 x 1.5	45	24
PST15L	15	M22 x 1.5	45	24
PST18L	18	M26 x 1.5	45	24
PST22L	22	M30 x 2.0	60	50
PST28L	28	M36 x 2.0	60	50
PST35L	35	M45 x 2.0	60	50
PST42L	42	M52 x 2.0	60	50
PST06S	6	M14 x 1.5	45	24
PST08S	8	M16 x 1.5	45	24
PST10S	10	M18 x 1.5	45	24
PST12S	12	M20 x 1.5	45	24
PST16S	16	M24 x 1.5	45	24
PST20S	20	M30 x 2.0	60	50
PST25S	25	M36 x 2.0	60	50
PST30S	30	M42 x 2.0	60	50
PST38S	38	M52 x 2.0	60	50

ATAUFF HYDRAULIC STORE

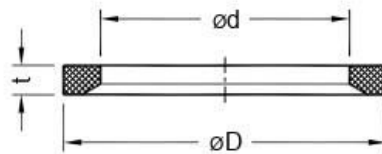
Seals

Dimensions in mm

DIN Fittings

Elastomeric Seals (DIN 3869)

Soft sealing for Male stud ends



Part No.	For Male Metric (M) thread	For Male BSPP (G) threads	ød	øD	t
ED10	M10 x 1.0	G 1/8	8.4	11.9	1.0
ED12	M12 x 1.5	---	9.8	14.4	1.5
ED14	M14 x 1.5	G 1/4	11.6	16.5	1.5
ED16	M16 x 1.5	---	13.8	18.9	1.5
ED17	---	G 3/8	14.7	18.9	1.5
ED18	M18 x 1.5	---	15.7	20.9	1.5
ED20	M20 x 1.5	---	17.8	22.9	1.5
ED21	---	G 1/2	18.5	23.9	1.5
ED22	M22 x 1.5		19.6	24.3	1.5
ED27	M26 x 1.5	G 3/4	23.9	29.2	1.5
	M27 x 2.0				
ED33	M33 x 2.0	G 1	29.7	35.7	2.0
ED42	M42 x 2.0	G1 1/4	38.8	45.8	2.0
ED48	M48 x 2.0	G1 1/2	44.7	50.7	2.0

Material : NBR with 85 ± 5 IRHD
FPM with 80 ± 5 IRHD

ATAUFF HYDRAULIC STORE

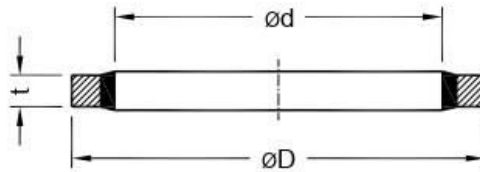
Seals

Dimensions in mm

DIN Fittings

Bonded Seals

For BSPP (G) Male stud ends



Part No.	For male thread BSP	$\varnothing d$	$\varnothing D$	t min
BSG01	G 1/8	10.37	15.88	1.80
BSG02	G 1/4	13.74	20.57	1.80
BSG03	G 3/8	17.28	23.80	1.80
BSG04	G 1/2	21.54	28.58	2.30
BSG06	G 3/4	27.05	34.93	2.30
BSG08	G 1	33.89	42.80	2.85
BSG10	G1 1/4	42.93	52.38	2.85
BSG12	G1 1/2	48.44	58.60	2.85
BSG16	G2	60.58	73.03	2.85

ATAUFF HYDRAULIC STORE

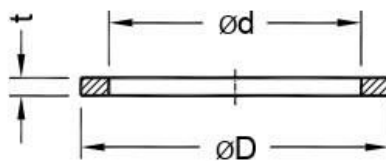
Seals

Dimensions in mm

DIN Fittings

Copper Washer

For BSPP (G) Male stud ends



Part No.	For male thread BSP	ød	øD	t
CWG01	G 1/8	10.20	13.90	1.00
CWG02	G 1/4	14.20	17.90	1.50
CWG03	G 3/8	17.20	20.90	1.50
CWG04	G 1/2	21.20	25.90	1.50
CWG06	G 3/4	27.30	31.90	2.00
CWG08	G 1	33.30	38.90	2.00
CWG10	G1 1/4	42.30	48.90	2.00
CWG12	G1 1/2	48.30	54.90	2.00
CWG16	G2	60.50	67.80	2.50

ATAUFF HYDRAULIC STORE

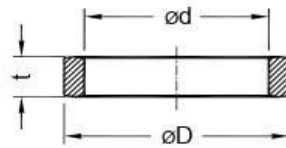
Seals

Dimensions in mm

DIN Fittings

Sealing Rings (Metallic)

For Throttle free Banjo Couplings



Part No.	For male thread BSP	$\varnothing d$	$\varnothing D$	t
DKAG01	G 1/8	10.0	14	4
DKAG02	G 1/4	13.4	18	4
DKAG03	G 3/8	16.9	22	5
DKAG04	G 1/2	21.3	26	5
DKAG06	G 3/4	26.8	32	5
DKAG08	G 1	33.6	39	6
DKAG10	G1 1/4	42.3	49	7
DKAG12	G1 1/2	48.2	55	7