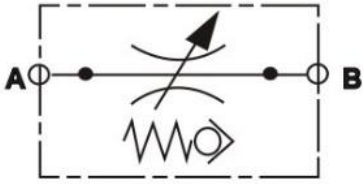


Carbon Steel



up to 350 bar
up to 300 l/min

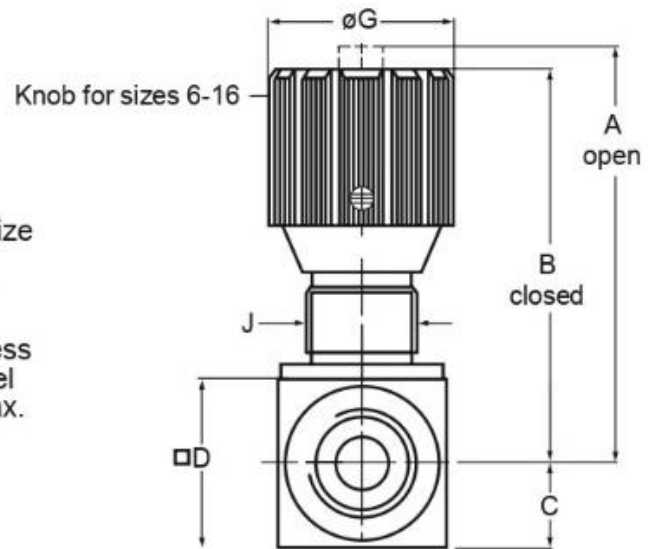
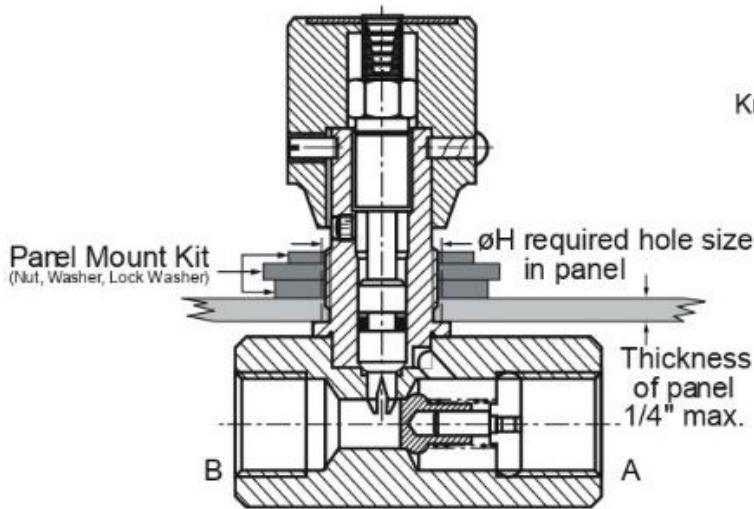
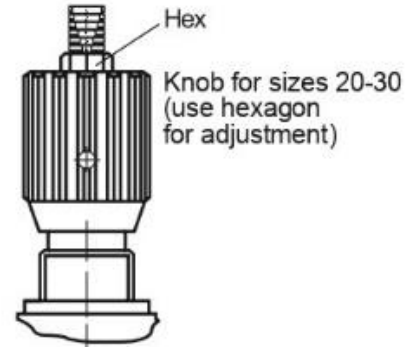
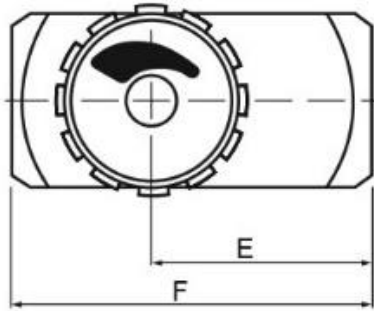
Flow Control Valves and Flow Control Valves with reverse flow check

DRV 06 to 40



Flow Control Valves

Dimensions DRV Series



Model Code	Port Size NPTF	A	B	C	D	E	F	øG	øH	Hex	Weight
DRV-06	1/8"	55	50	8	16	26	45	24	13	12	0.13
DRV-08	1/4"	72	65	12	25	33.5	55	29	19	12	0.30
DRV-10	3/8"	74	67	15	30	41	65	29	19	12	0.45
DRV-12	1/2"	92	82	17	35	44	73	38	23	12	0.80
DRV-16	3/4"	106	96	22	45	57	88	38	23	12	1.30
DRV-20	1"	145	128	25	50	77	127	49	38	19	2.40
DRV-25	1-1/4"	150	133	30	60	93	143	49	38	19	3.50
DRV-30	1-1/2"	155	138	35	70	108	143	49	38	19	4.60