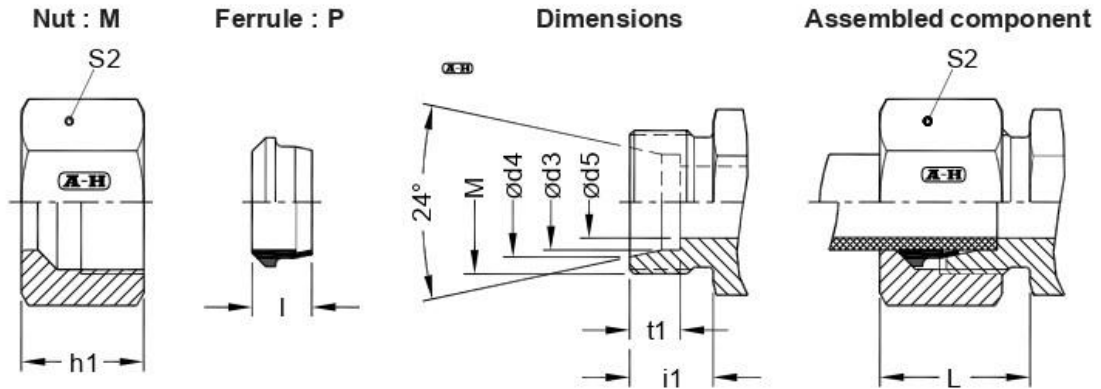


# Tube Connection Parts

Metric Tube end as per ISO 8434

All dimensions in millimeters.

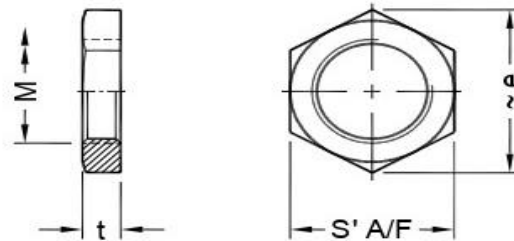


\*

Part No Nut	Part No Ferrule	Series	Tube od	DN Size	M	$\varnothing d3$	$\varnothing d4$	$\varnothing d5$	t 1	i 1	S2	h1	l	L
M04LL	P04LL	LL	4	3	M 8 x 1.0	4	5.0	3	4.0	8	10	11.5	7.0	14
M05LL	P05LL	Very Light	5	-	M 10 x 1.0	5	6.5	3.5	5.5	8	12	11.5	7.0	14
M06LL	P06LL	NP 100	6	4	M 10 x 1.0	6	7.5	4.5	5.5	8	12	12.0	7.0	14
M08LL	P08LL		8	6	M 12 x 1.0	8	9.5	6	5.5	9	14	12.5	7.0	15
M06L	P06L	L	6	4	M 12 x 1.5	6	8.1	4	7.0	10	14	14.5	10.0	18
M08L	P08L	Light	8	6	M 14 x 1.5	8	10.1	6	7.0	10	17	14.5	9.5	18
M10L	P10L	NP 250	10	8	M 16 x 1.5	10	12.3	8	7.0	11	19	15.5	10.0	20
M12L	P12L		12	10	M 18 x 1.5	12	14.3	10	7.0	11	22	15.5	9.5	19
M15L	P15L		15	12	M 22 x 1.5	15	17.3	12	7.0	12	27	17.0	10.0	21
M18L	P18L	NP 160	18	16	M 26 x 1.5	18	20.3	15	7.5	12	32	18.0	10.0	22
M22L	P22L		22	20	M 30 x 2.0	22	24.3	19	7.5	14	36	20.0	10.5	24
M28L	P28L	NP 100	28	25	M 36 x 2.0	28	30.3	24	7.5	14	41	21.0	11.0	25
M35L	P35L		35	32	M 45 x 2.0	35	38.0	30	10.5	16	50	24.0	13.0	28
M42L	P42L		42	40	M 52 x 2.0	42	45.0	36	11.0	16	60	24.0	13.0	28
M06S	P06S	S	6	3	M 14 x 1.5	6	8.1	4	7.0	12	17	16.5	10.0	20
M08S	P08S	Heavy	8	4	M 16 x 1.5	8	10.1	5	7.0	12	19	16.5	9.5	20
M10S	P10S	NP 630	10	6	M 18 x 1.5	10	12.3	7	7.5	12	22	17.5	10.0	22
M12S	P12S		12	8	M 20 x 1.5	12	14.3	8	7.5	12	24	17.5	9.5	21
M16S	P16S	NP 400	16	12	M 24 x 1.5	16	18.3	12	8.5	14	30	20.5	10.0	25
M20S	P20S		20	16	M 30 x 2.0	20	22.9	16	10.5	16	36	24.0	12.0	28
M25S	P25S		25	20	M 36 x 2.0	25	27.9	20	12.0	18	46	27.0	12.0	31
M30S	P30S	NP 250	30	25	M 42 x 2.0	30	33.0	25	13.5	20	50	29.0	13.0	35
M38S	P38S		38	32	M 52 x 2.0	38	41.0	32	16.0	22	60	32.5	13.0	38

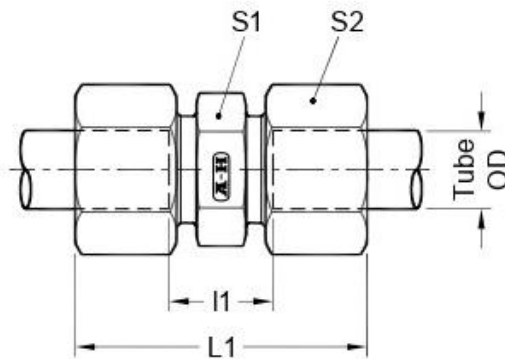
**Locknuts for Bulkhead Couplings**

As per ISO 8434-1



Part No.	M	t	S	~ e
<b>GM12</b>	M12 x 1.5	6	17	19.6
<b>GM14</b>	M14 x 1.5	6	19	21.9
<b>GM16</b>	M16 x 1.5	6	22	25.4
<b>GM18</b>	M18 x 1.5	6	24	27.7
<b>GM20</b>	M20 x 1.5	6	27	31.2
<b>GM22</b>	M22 x 1.5	7	30	34.6
<b>GM24</b>	M24 x 1.5	7	32	36.9
<b>GM26</b>	M26 x 1.5	8	36	41.6
<b>GM30</b>	M30 x 2.0	9	41	47.3
<b>GM36</b>	M36 x 2.0	9	46	53.1
<b>GM42</b>	M42 x 2.0	9	50	57.5
<b>GM45</b>	M45 x 2.0	9	55	63.5
<b>GM52</b>	M52 x 2.0	10	65	75.0

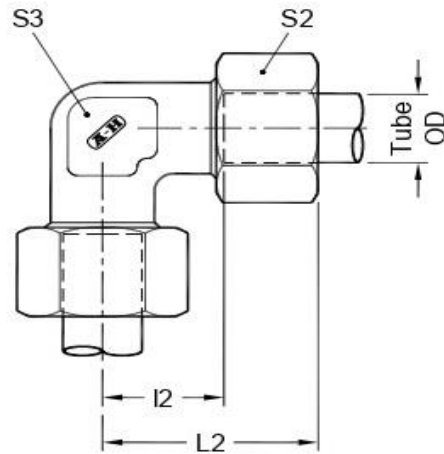
Metric Tube end as per ISO 8434



\*

Part No.	Series	Tube od	l 1	L1	S1	S2
G06PL	Light L 250 bar	6	10	41	12	14
G08PL		8	11	41	14	17
G10PL		10	13	44	17	19
G12PL		12	14	44	19	22
G15PL		15	16	48	24	27
G18PL	160 bar	18	16	50	27	32
G22PL		22	20	54	32	36
G28PL	100 bar	28	21	57	41	41
G35PL		35	20	66	46	50
G42PL		42	21	68	55	60
G06PS	Heavy S 630 bar	6	16	47	14	17
G08PS		8	18	48	17	19
G10PS		10	17	51	19	22
G12PS		12	19	52	22	24
G16PS	400 bar	16	21	59	27	30
G20PS		20	23	68	32	36
G25PS		25	26	76	41	46
G30PS	250 bar	30	27	83	46	50
G38PS		38	29	92	55	60

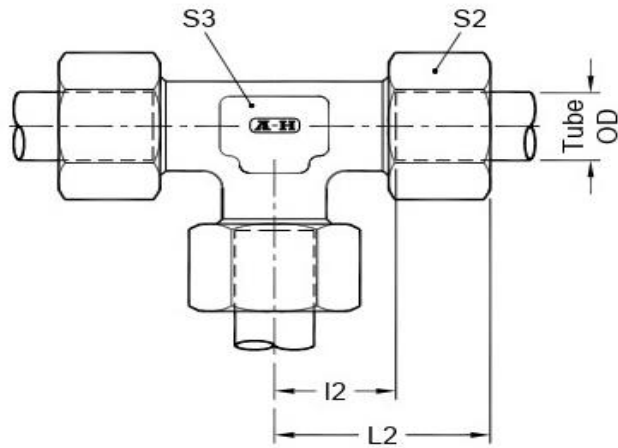
Metric Tube end as per ISO 8434



\*

Part No.	Series	Tube od	l2	L2	S2	S3
<b>W06PL</b>	<b>Light L</b> 250 bar	6	12.0	27.5	14	12
<b>W08PL</b>		8	14.0	29.0	17	12
<b>W10PL</b>		10	15.0	30.5	19	14
<b>W12PL</b>		12	17.0	32.0	22	17
<b>W15PL</b>		15	21.0	37.0	27	22
<b>W18PL</b>	160 bar	18	23.5	40.5	32	24
<b>W22PL</b>		22	27.5	44.5	36	27
<b>W28PL</b>	100 bar	28	30.5	48.5	41	36
<b>W35PL</b>		35	34.5	57.5	50	41
<b>W42PL</b>		42	40.0	63.5	60	50
<b>W06PS</b>	<b>Heavy S</b> 630 bar	6	16.0	31.5	17	12
<b>W08PS</b>		8	17.0	32.0	19	14
<b>W10PS</b>		10	17.5	34.5	22	17
<b>W12PS</b>		12	21.5	38.0	24	19
<b>W16PS</b>	400 bar	16	24.5	43.5	30	24
<b>W20PS</b>		20	26.5	49.0	36	27
<b>W25PS</b>		25	30.0	55.0	46	36
<b>W30PS</b>	250 bar	30	35.5	63.5	50	41
<b>W38PS</b>		38	41.0	72.5	60	50

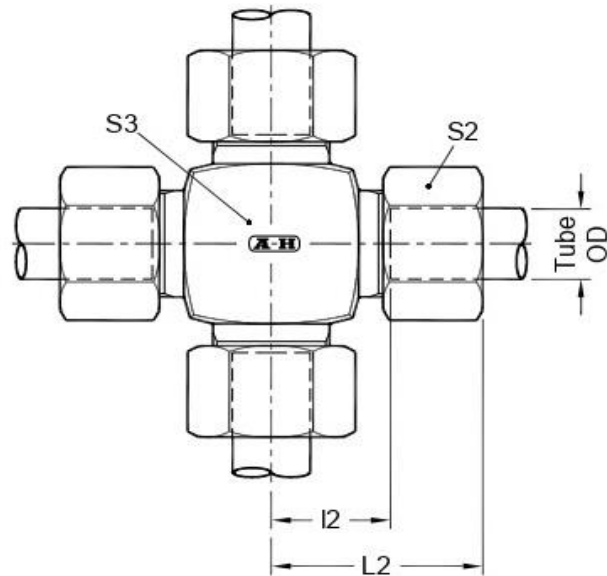
Metric Tube end as per ISO 8434



\*

Part No.	Series	Tube od	I 2	L 2	S 2	S 3
<b>T06PL</b>	<b>Light L</b>	6	12.0	27.5	14	12
<b>T08PL</b>	250 bar	8	14.0	29.0	17	12
<b>T10PL</b>		10	15.0	30.5	19	14
<b>T12PL</b>		12	17.0	32.0	22	17
<b>T15PL</b>		15	21.0	37.0	27	22
<b>T18PL</b>	160 bar	18	23.5	40.5	32	24
<b>T22PL</b>		22	27.5	44.5	36	27
<b>T28PL</b>	100 bar	28	30.5	48.5	41	36
<b>T35PL</b>		35	34.5	57.5	50	41
<b>T42PL</b>		42	40.0	63.5	60	50
<b>T06PS</b>	<b>Heavy S</b>	6	16.0	31.5	17	12
<b>T08PS</b>	630 bar	8	17.0	32.0	19	14
<b>T10PS</b>		10	17.5	34.5	22	17
<b>T12PS</b>		12	21.5	38.0	24	19
<b>T16PS</b>	400 bar	16	24.5	43.5	30	24
<b>T20PS</b>		20	26.5	49.0	36	27
<b>T25PS</b>		25	30.0	55.0	46	36
<b>T30PS</b>	250 bar	30	35.5	63.5	50	41
<b>T38PS</b>		38	41.0	72.5	60	50

Metric Tube end as per ISO 8434



\*

Part No.	Series	Tube od	l2	L2	S2	S3
<b>K06PL</b>	<b>Light L</b> 250 bar	6	12.0	27.5	14	12
<b>K08PL</b>		8	14.0	29.0	17	12
<b>K10PL</b>		10	15.0	30.5	19	14
<b>K12PL</b>		12	17.0	32.0	22	17
<b>K15PL</b>		15	21.0	37.0	27	22
<b>K18PL</b>	160 bar	18	23.5	40.5	32	24
<b>K22PL</b>		22	27.5	44.5	36	27
<b>K28PL</b>	100 bar	28	30.5	48.5	41	36
<b>K35PL</b>		35	34.5	57.5	50	41
<b>K42PL</b>		42	40.0	63.5	60	50
<b>K06PS</b>	<b>Heavy S</b> 630 bar	6	16.0	31.5	17	12
<b>K08PS</b>		8	17.0	32.0	19	14
<b>K10PS</b>		10	17.5	34.5	22	17
<b>K12PS</b>		12	21.5	38.0	24	19
<b>K16PS</b>	400 bar	16	24.5	43.5	30	24
<b>K20PS</b>		20	26.5	49.0	36	27
<b>K25PS</b>		25	30.0	55.0	46	36
<b>K30PS</b>	250 bar	30	35.5	63.5	50	41
<b>K38PS</b>		38	41.0	72.5	60	50

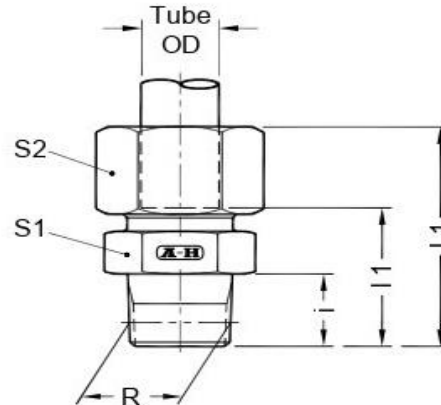
# Straight Male Stud Couplings

GE-R

Dimensions in mm

DIN Fittings

Metric Tube end as per ISO 8434  
Male BSP Taper (R) stud end



Part No.	Series	Tube od	R Male BSPT thread	i	l1	*L1	S1	S2
GE06PLR	Light L 250 bar	6	R 1/8	7.5	14.5	30	14	14
GE06PLR02		6	R 1/4	11	18	33.5	14	14
GE08PLR		8	R 1/4	11	19	34	17	17
GE10PLR		10	R 1/4	11	20	35.5	17	19
GE12PLR02		12	R 1/4	11	20	35	19	22
GE12PLR		12	R 3/8	11.5	20.5	35.5	19	22
GE12PLR04		12	R 1/2	15	25	40	22	22
GE15PLR		15	R 1/2	15	26	42	24	27
GE18PLR	160bar	18	R 1/2	15	26.5	43.5	27	32
GE22PLR		22	R 3/4	16.5	30	47	32	36
GE28PLR	100 bar	28	R 1	19	33.5	51.5	41	41
GE35PLR		35	R1.1/4	21.5	35	58	46	50
GE42PLR		42	R1.1/2	21.5	37.5	61	55	60
GE06PSR	Heavy S 630 bar	6	R 1/4	11	22	37.5	17	17
GE08PSR		8	R 1/4	11	22	37	17	19
GE10PSR02		10	R 1/4	11	23.5	40.5	19	22
GE10PSR		10	R 3/8	11.5	24	41	19	22
GE12PSR02		12	R 1/4	11	25.5	42	22	24
GE12PSR		12	R 3/8	11.5	26	42.5	22	24
GE12PSR04		12	R 1/2	15	29.5	46	22	24
GE16PSR	400 bar	16	R 1/2	15	30.5	49.5	27	30
GE20PSR		20	R 3/4	16.5	34	56.5	32	36
GE25PSR		25	R 1	19	39	64	41	46
GE30PSR	250 bar	30	R1.1/4	21.5	42	70	46	50
GE38PSR		38	R1.1/2	21.5	44.5	76	55	60

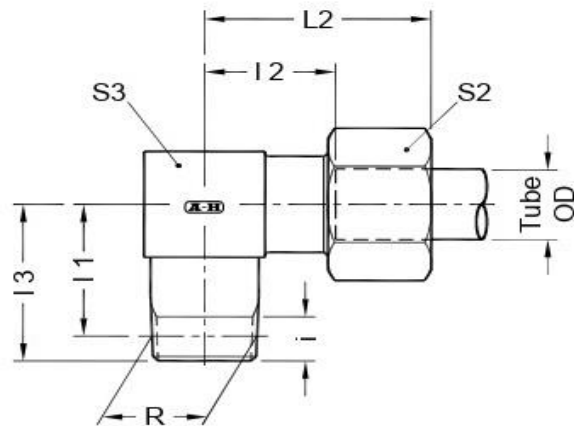
# Male Stud Elbow Couplings

WE-R

Dimensions in mm

DIN Fittings

Metric Tube end as per ISO 8434  
and BSP Taper (R) stud end



Part No.	Series	Tube od	R Male BSPT thread	i	I1 min	I1 max	I2	I3	* L2	S2	S3
WE06PLR	Light L 250 bar	6	R 1/8	7.5	16.1	17.9	13	21.0	28.5	14	12
WE08PLR		8	R 1/4	11	20.2	22.8	15.5	27.5	30.5	17	14
WE10PLR		10	R 1/4	11	19.7	22.3	15	27.0	30.5	19	17
WE12PLR		12	R 3/8	11.5	20.3	22.9	17	28.0	32.0	22	19
WE15PLR		15	R 1/2	15	25.0	28.6	22	35.0	38.0	27	22
WE18PLR	160 bar	18	R 1/2	15	26.0	29.6	23.5	36.0	40.5	32	27
WE06PSR	Heavy S 630 bar	6	R 1/4	11	18.7	21.3	17.5	26.0	33.0	17	14
WE08PSR		8	R 1/4	11	19.7	22.3	17	27.0	32.0	19	17
WE10PSR		10	R 3/8	11.5	20.3	22.9	17.5	28.0	34.5	22	19
WE12PSR		12	R 3/8	11.5	20.3	22.9	21.5	28.0	38.0	24	22
WE16PSR		400 bar	16	R 1/2	15	23.5	27.1	26	33.5	45.0	30



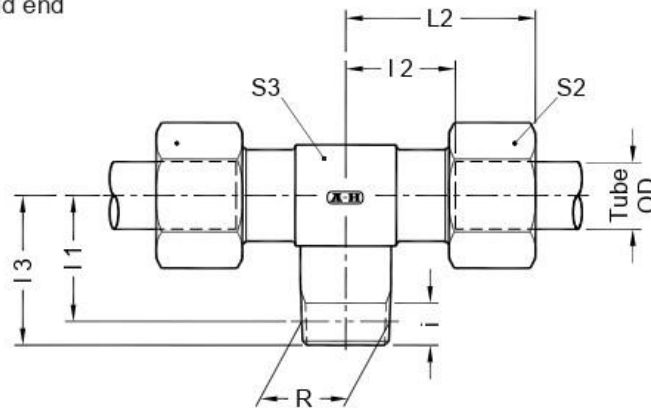
# Male Stud Branch Tee Couplings

TE-R

Dimensions in mm

DIN Fittings

Metric Tube end as per ISO 8434  
and BSP Taper (R) stud end



Part No.	Series	Tube od	R Male BSPT thread	i	l1 min	l1 max	l2	l3	* L2	S2	S3
TE06PLR	Light L 250 bar	6	R 1/8	7.5	16.1	17.9	13.0	21.0	28.5	14	12
TE08PLR		8	R 1/4	11	20.2	22.8	15.5	27.5	30.5	17	14
TE10PLR		10	R 1/4	11	19.7	22.3	15.0	27.0	30.5	19	17
TE12PLR		12	R 3/8	11.5	20.3	22.9	17.0	28.0	32.0	22	19
TE15PLR		15	R 1/2	15	25.0	28.6	22.0	35.0	38.0	27	22
TE18PLR	160 bar	18	R 1/2	15	26.0	29.6	23.5	36.0	40.5	32	27
TE06PSR	Heavy S 630 bar	6	R 1/4	11	18.7	21.3	17.5	26.0	33.0	17	14
TE08PSR		8	R 1/4	11	19.7	22.3	17.0	27.0	32.0	19	17
TE10PSR		10	R 3/8	11.5	20.3	22.9	17.5	28.0	34.5	22	19
TE12PSR		12	R 3/8	11.5	20.3	22.9	21.5	28.0	38.0	24	22
TE16PSR		400 bar	16	R 1/2	15	23.5	27.1	26.0	33.5	45.0	30

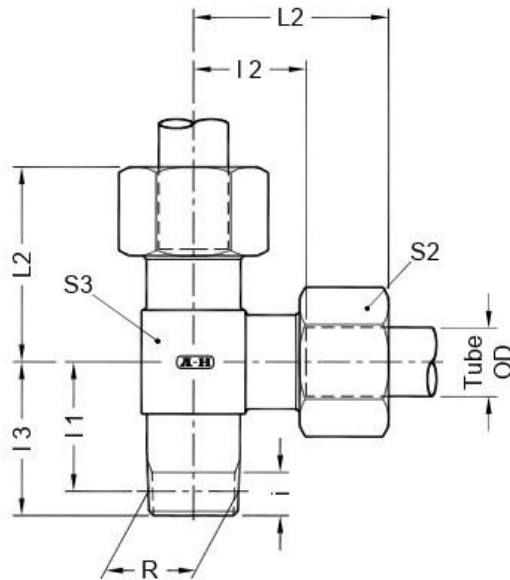
# Male Stud Barrel Tee Couplings

LE-R

Dimensions in mm

DIN Fittings

Metric Tube end as per ISO 8434  
and BSP Taper (R) stud end



Part No.	Series	Tube od	R Male BSPT thread	i	I1 min	I1 max	I2	I3	* L2	S2	S3
LE06PLR	Light L 250 bar	6	R 1/8	7.5	16.1	17.9	13	21.0	28.5	14	12
LE08PLR		8	R 1/4	11	20.2	22.8	15.5	27.5	30.5	17	14
LE10PLR		10	R 1/4	11	19.7	22.3	15	27.0	30.5	19	17
LE12PLR		12	R 3/8	11.5	20.3	22.9	17	28.0	32.0	22	19
LE15PLR		15	R 1/2	15	25.0	28.6	22	35.0	38.0	27	22
LE18PLR	160 bar	18	R 1/2	15	26.0	29.6	23.5	36.0	40.5	32	27
LE06PSR	Heavy S 630 bar	6	R 1/4	11	18.7	21.3	17.5	26.0	33.0	17	14
LE08PSR		8	R 1/4	11	19.7	22.3	17	27.0	32.0	19	17
LE10PSR		10	R 3/8	11.5	20.3	22.9	17.5	28.0	34.5	22	19
LE12PSR		12	R 3/8	11.5	20.3	22.9	21.5	28.0	38.0	24	22
LE16PSR		400 bar	16	R 1/2	15	23.5	27.1	26	33.5	45.0	30

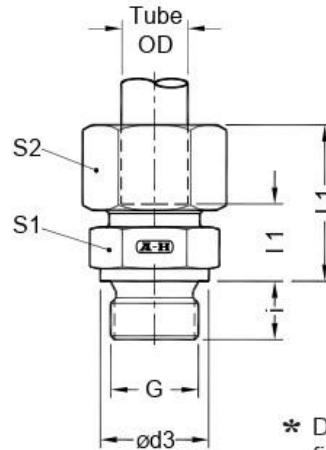
# Straight Male Stud Couplings

**GE-G**

Dimensions in mm

DIN Fittings

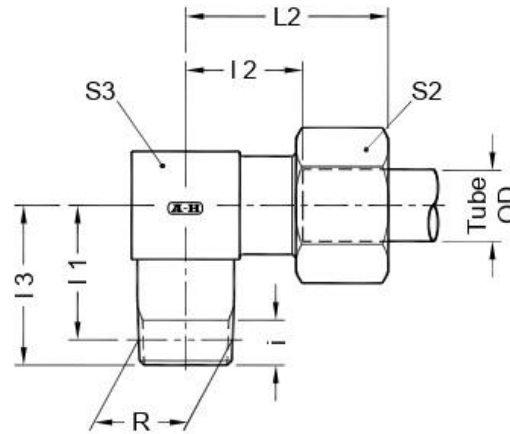
Metric Tube end as per ISO 8434  
Male BSPP (G) thread



\* Dimensions given are approx figures with tightened nut.

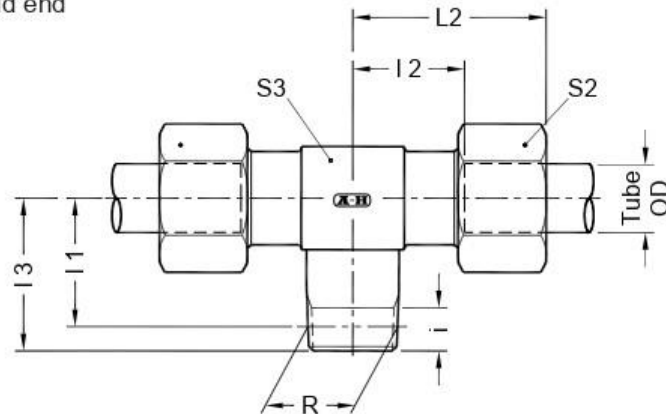
Part No.	Series	Tube od	G Male BSP thread	ød3	i	l1	* L1	S1	S2
GE06PLG	Light L 250 bar	6	G 1/8 A	14	8	8.5	24	14	14
GE08PLG		8	G 1/4 A	18	12	10	25	19	17
GE08PLG03		8	G 3/8 A	22	12	11.5	26.5	22	17
GE10PLG		10	G 1/4 A	18	12	11	26.5	19	19
GE10PLG03		10	G 3/8 A	22	12	12.5	28	22	19
GE12PLG02		12	G 1/4 A	18	12	12	27	19	22
GE12PLG		12	G 3/8 A	22	12	12.5	27.5	22	22
GE12PLG04		12	G 1/2 A	26	14	13	28	27	22
GE15PLG		15	G 1/2 A	26	14	14	30	27	27
GE18PLG	160 bar	18	G 1/2 A	26	14	14.5	31.5	27	32
GE22PLG		22	G 3/4 A	32	16	16.5	33.5	32	36
GE28PLG	100 bar	28	G 1 A	39	18	17.5	35.5	41	41
GE35PLG		35	G1 1/4 A	49	20	17.5	40.5	50	50
GE42PLG		42	G1 1/2 A	55	22	19	42.5	55	60
GE06PSG	Heavy S 630 bar	6	G 1/4 A	18	12	13	28.5	19	17
GE08PSG		8	G 1/4 A	18	12	15	30	19	19
GE10PSG		10	G 3/8 A	22	12	15	32	22	22
GE12PSG		12	G 3/8 A	22	12	17	33.5	22	24
GE12PSG04		12	G 1/2 A	26	14	17.5	34	27	24
GE16PSG	400 bar	16	G 1/2 A	26	14	18.5	37.5	27	30
GE20PSG		20	G 3/4 A	32	16	20.5	43	32	36
GE25PSG		25	G 1 A	39	18	23	48	41	46
GE30PSG	250 bar	30	G1 1/4 A	49	20	23.5	51.5	50	50
GE38PSG		38	G1 1/2 A	55	22	26	57.5	55	60

Metric Tube end as per ISO 8434  
and BSP Taper (R) stud end



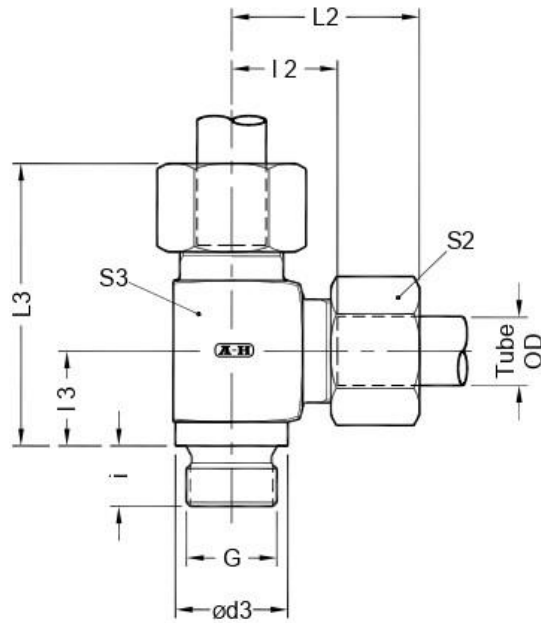
Part No.	Series	Tube od	R Male BSPT thread	i	l1 min	l1 max	l2	l3	* L2	S2	S3
<b>WE06PLR</b>	<b>Light L</b> 250 bar	6	R 1/8	7.5	16.1	17.9	13	21.0	28.5	14	12
<b>WE08PLR</b>		8	R 1/4	11	20.2	22.8	15.5	27.5	30.5	17	14
<b>WE10PLR</b>		10	R 1/4	11	19.7	22.3	15	27.0	30.5	19	17
<b>WE12PLR</b>		12	R 3/8	11.5	20.3	22.9	17	28.0	32.0	22	19
<b>WE15PLR</b>		15	R 1/2	15	25.0	28.6	22	35.0	38.0	27	22
<b>WE18PLR</b>	160 bar	18	R 1/2	15	26.0	29.6	23.5	36.0	40.5	32	27
<b>WE06PSR</b>	<b>Heavy S</b> 630 bar	6	R 1/4	11	18.7	21.3	17.5	26.0	33.0	17	14
<b>WE08PSR</b>		8	R 1/4	11	19.7	22.3	17	27.0	32.0	19	17
<b>WE10PSR</b>		10	R 3/8	11.5	20.3	22.9	17.5	28.0	34.5	22	19
<b>WE12PSR</b>		12	R 3/8	11.5	20.3	22.9	21.5	28.0	38.0	24	22
<b>WE16PSR</b>		400 bar	16	R 1/2	15	23.5	27.1	26	33.5	45.0	30

Metric Tube end as per ISO 8434  
and BSP Taper (R) stud end



Part No.	Series	Tube od	R Male BSPT thread	i	I1 min	I1 max	I2	I3	* L2	S2	S3
TE06PLR	Light L 250 bar	6	R 1/8	7.5	16.1	17.9	13.0	21.0	28.5	14	12
TE08PLR		8	R 1/4	11	20.2	22.8	15.5	27.5	30.5	17	14
TE10PLR		10	R 1/4	11	19.7	22.3	15.0	27.0	30.5	19	17
TE12PLR		12	R 3/8	11.5	20.3	22.9	17.0	28.0	32.0	22	19
TE15PLR		15	R 1/2	15	25.0	28.6	22.0	35.0	38.0	27	22
TE18PLR	160 bar	18	R 1/2	15	26.0	29.6	23.5	36.0	40.5	32	27
TE06PSR	Heavy S 630 bar	6	R 1/4	11	18.7	21.3	17.5	26.0	33.0	17	14
TE08PSR		8	R 1/4	11	19.7	22.3	17.0	27.0	32.0	19	17
TE10PSR		10	R 3/8	11.5	20.3	22.9	17.5	28.0	34.5	22	19
TE12PSR		12	R 3/8	11.5	20.3	22.9	21.5	28.0	38.0	24	22
TE16PSR		400 bar	16	R 1/2	15	23.5	27.1	26.0	33.5	45.0	30

Metric Tube end as per ISO 8434  
and BSPP (G) stud end



Part No.	Series	Tube od	G Male BSP thread	ø d3	i	l 2	l 3	* L2	* L3	S2	S3
LE22PLG	160 bar	22	G 3/4 A	32	16	27.5	26	44.5	70.5	36	32
LE28PLG	100 bar	28	G 1 A	39	18	30.5	30	48.5	78.5	41	41
LE35PLG	Light L	35	G1 1/4 A	49	20	34.5	34	57.5	91.5	50	50
LE42PLG		42	G1 1/2 A	55	22	40.0	39	63.5	102.5	60	55
LE20PSG	400 bar	20	G 3/4 A	32	16	26.5	26	49.0	75.0	36	32
LE25PSG	Heavy S	25	G 1 A	39	18	30.0	30	55.0	85.0	46	41
LE30PSG	250 bar	30	G1 1/4 A	49	20	35.5	34	63.5	97.5	50	50
LE38PSG		38	G1 1/2 A	55	22	41.0	39	72.5	111.5	60	55

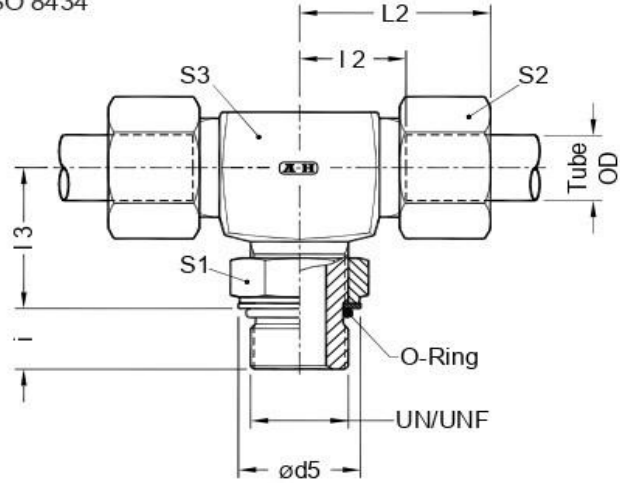
## Adjustable Locknut Branch Tee

TEE-S

Dimensions in mm

DIN Fittings

Metric Tube end as per ISO 8434



Part No.	Series	Tube od	SAE thread UNF / UN	ød5	i	I 2	* L2	I 3	S1	S2	S3
TEE06PLS04	Light L 315 bar	6	7/16"-20 UNF	16.5	10	14	29.5	19	14	14	14
TEE08PLS04		8	7/16"-20 UNF	18.3	10	16	31.0	19	14	17	14
TEE10PLS06		10	9/16"-18 UNF	20.2	10	17	32.5	24	17	19	19
TEE12PLS06		12	9/16"-18 UNF	25.7	11	19	34.0	25	17	22	19
TEE12PLS08		12	3/4"-16 UNF	25.7	13	19	34.0	25	22	22	19
TEE15PLS08	315 bar	15	3/4"-16 UNF	25.7	13	21	37.0	28	22	27	22
TEE15PLS10	315 bar	15	7/8"-14 UNF	29.3	15	21	37.0	28	27	27	22
TEE18PLS10	315 bar	18	7/8"-14 UNF	29.3	15	24	41.0	32	27	32	27
TEE18PLS12	315 bar	18	1.1/16"-12 UN	29.3	17	24	41.0	32	32	32	30
TEE22PLS12	160 bar	22	1.1/16"-12 UN	36.7	17	28	45.0	35	32	36	30
TEE28PLS16	160 bar	28	1.5/16"-12 UN	44.0	17	31	49.0	42	41	41	36
TEE35PLS20	160 bar	35	1.5/8"-12 UN	55.0	17	38	61.0	46	50	50	50
TEE42PLS24	160 bar	42	1.7/8"-12 UN	55.0	17	38	61.5	47	55	60	50
TEE06PSS04	Heavy S 400 bar	6	7/16"-20 UNF	16.5	12	15	30.5	20	14	17	14
TEE08PSS06		8	9/16"-18 UNF	18.3	12	17	32.0	25	17	19	19
TEE10PSS06		10	9/16"-18 UNF	20.2	12	18	35.0	26	17	22	19
TEE12PSS08		12	3/4"-16 UNF	25.7	14	22	38.5	30	22	24	22
TEE16PSS10		16	7/8"-14 UNF	29.3	16	25	44.0	34	27	30	27
TEE20PSS12	400 bar	20	1.1/16"-12 UN	36.7	19	28	50.5	37	32	36	30
TEE25PSS12	400 bar	25	1.1/16"-12 UN	44.0	19	30	55.0	50	32	46	36
TEE30PSS20	250 bar	30	1.5/8"-12 UN	55.0	19	36	64.0	50	50	50	50
TEE38PSS24	250 bar	38	1.7/8"-12 UN	55.0	19	34	65.5	51	55	60	50

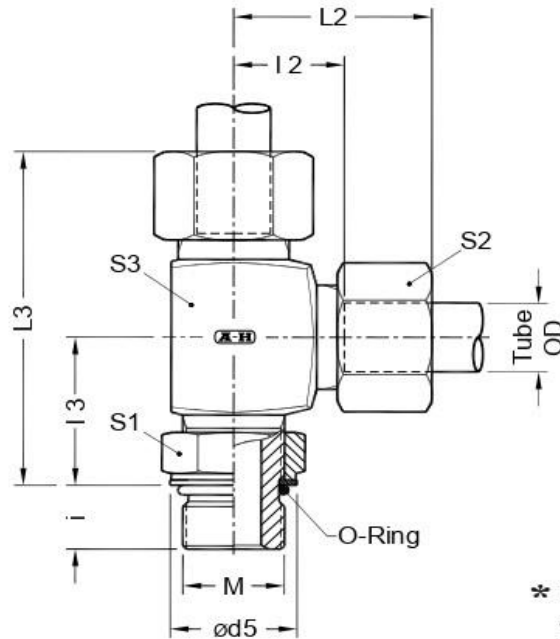
# Adjustable Locknut Barrel Tee

LEE-MO

Dimensions in mm

DIN Fittings

Metric Tube end as per ISO 8434



\* Dimensions given are approx figures with tightened nut.

Part No.	Series	Tube od	Metric thread M	ød5	i	I 2	* L2	I 3	* L3	S1	S2	S3
LEE06PLMO	Light L 315 bar	6	M10x1.0	15	7.0	14.0	29.5	20.0	49.5	14	14	14
LEE08PLMO		8	M12x1.5	18	10.0	16.0	31.0	22.0	53.0	17	17	14
LEE10PLMO		10	M14x1.5	20	10.0	17.0	32.5	25.0	57.5	19	19	19
LEE12PLMO		12	M16x1.5	23	10.0	19.0	34.0	26.0	60.0	22	22	19
LEE15PLMO		15	M18x1.5	25	11.0	21.0	37.0	30.0	67.0	24	27	22
LEE18PLMO		18	M22x1.5	28	12.0	24.0	41.0	33.0	74.0	27	32	27
LEE22PLMO	160 bar	22	M27x2.0	33	14.0	28.0	45.0	35.0	80.0	32	36	30
LEE28PLMO		28	M33x2.0	41	14.0	31.0	49.0	38.0	87.0	41	41	36
LEE35PLMO		35	M42x2.0	51	14.0	38.0	61.0	48.0	109.0	50	50	50
LEE42PLMO		42	M48x2.0	56	16.0	38.0	61.5	49.0	110.5	55	60	50
LEE06PSMO	Heavy 400 bar	6	M12x1.5	18	10.0	15.0	30.5	22.0	52.5	17	17	14
LEE08PSMO		8	M14x1.5	20	10.0	17.0	32.0	26.0	58.0	19	19	19
LEE10PSMO		10	M16x1.5	23	11.0	18.0	35.0	27.0	62.0	22	22	19
LEE12PSMO		12	M18x1.5	25	12.0	22.0	38.5	31.0	69.5	24	24	22
LEE16PSMO		16	M22x1.5	28	14.0	25.0	44.0	35.0	79.0	27	30	27
LEE20PSMO		400 bar	20	M27x2.0	33	16.0	28.0	50.5	39.0	89.5	32	36
LEE25PSMO	315 bar	25	M33x2.0	41	16.0	30.0	55.0	44.0	99.0	41	46	36
LEE30PSMO	250 bar	30	M42x2.0	51	17.0	36.0	64.0	51.0	115.0	50	50	50
LEE38PSMO	200 bar	38	M48x2.0	56	19.0	34.0	65.5	54.0	119.5	55	60	50



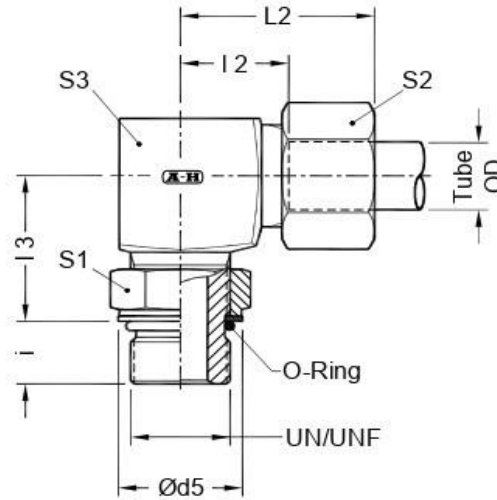
# Adjustable Locknut Elbow

WEE-S

Dimensions in mm

DIN Fittings

Metric Tube end as per ISO 8434



Part No.	Series	Tube od	SAE thread UNF / UN	Ød5	i	I 2	* L2	I 3	S1	S2	S3
WEE06PLS04	Light L 315 bar	6	7/16"-20 UNF	16.5	10	14	29.5	19	14	14	14
WEE08PLS04		8	7/16"-20 UNF	18.3	10	16	31.0	19	14	17	14
WEE10PLS06		10	9/16"-18 UNF	20.2	10	17	32.5	24	17	19	19
WEE12PLS06		12	9/16"-18 UNF	25.7	11	19	34.0	25	17	22	19
WEE12PLS08		12	3/4"-16 UNF	25.7	13	19	34.0	25	22	22	19
WEE15PLS08	315 bar	15	3/4"-16 UNF	25.7	13	21	37.0	28	22	27	22
WEE15PLS10	315 bar	15	7/8"-14 UNF	29.3	15	21	37.0	28	27	27	22
WEE18PLS10	315 bar	18	7/8"-14 UNF	29.3	15	24	41.0	32	27	32	27
WEE18PLS12	315 bar	18	1.1/16"-12 UN	29.3	17	24	41.0	32	32	32	30
WEE22PLS12	160 bar	22	1.1/16"-12 UN	36.7	17	28	45.0	35	32	36	30
WEE28PLS16	160 bar	28	1.5/16"-12 UN	44.0	17	31	49.0	42	41	41	36
WEE35PLS20	160 bar	35	1.5/8"-12 UN	55.0	17	38	61.0	46	50	50	50
WEE42PLS24	160 bar	42	1.7/8"-12 UN	55.0	17	38	61.5	47	55	60	50
WEE06PSS04	Heavy S 400 bar	6	7/16"-20 UNF	16.5	12	15	30.5	20	14	17	14
WEE08PSS06		8	9/16"-18 UNF	18.3	12	17	32.0	25	17	19	19
WEE10PSS06		10	9/16"-18 UNF	20.2	12	18	35.0	26	17	22	19
WEE12PSS08		12	3/4"-16 UNF	25.7	14	22	38.5	30	22	24	22
WEE16PSS10		16	7/8"-14 UNF	29.3	16	25	44.0	34	27	30	27
WEE20PSS12	400 bar	20	1.1/16"-12 UN	36.7	19	28	50.5	37	32	36	30
WEE25PSS12	400 bar	25	1.1/16"-12 UN	44.0	19	30	55.0	50	32	46	36
WEE30PSS20	250 bar	30	1.5/8"-12 UN	55.0	19	36	64.0	50	50	50	50
WEE38PSS24	250 bar	38	1.7/8"-12 UN	55.0	19	34	65.5	51	55	60	50

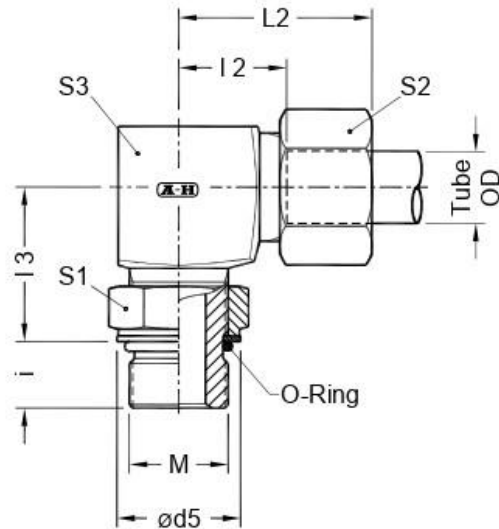
# Adjustable Locknut Elbow

WEE-MO

Dimensions in mm

DIN Fittings

Metric Tube end as per ISO 8434



Part No.	Series	Tube od	Metric thread M	ød5	i	I2	* L2	I3	S1	S2	S3
WEE06PLMO	Light L 315 bar	6	M10x1.0	15	7.0	14.0	29.5	20.0	14	14	14
WEE08PLMO		8	M12x1.5	18	10.0	16.0	31.0	22.0	17	17	14
WEE10PLMO		10	M14x1.5	20	10.0	17.0	32.5	25.0	19	19	19
WEE12PLMO		12	M16x1.5	23	10.0	19.0	34.0	26.0	22	22	19
WEE15PLMO		15	M18x1.5	25	11.0	21.0	37.0	30.0	24	27	22
WEE18PLMO		18	M22x1.5	28	12.0	24.0	41.0	33.0	27	32	27
WEE22PLMO	160 bar	22	M27x2.0	33	14.0	28.0	45.0	35.0	32	36	30
WEE28PLMO		28	M33x2.0	41	14.0	31.0	49.0	38.0	41	41	36
WEE35PLMO		35	M42x2.0	51	14.0	38.0	61.0	48.0	50	50	50
WEE42PLMO		42	M48x2.0	56	16.0	38.0	61.5	49.0	55	60	50
WEE06PSMO	Heavy 400 bar	6	M12x1.5	18	10.0	15.0	30.5	22.0	17	17	14
WEE08PSMO		8	M14x1.5	20	10.0	17.0	32.0	26.0	19	19	19
WEE10PSMO		10	M16x1.5	23	11.0	18.0	35.0	27.0	22	22	19
WEE12PSMO		12	M18x1.5	25	12.0	22.0	38.5	31.0	24	24	22
WEE16PSMO		16	M22x1.5	28	14.0	25.0	44.0	35.0	27	30	27
WEE20PSMO	400 bar	20	M27x2.0	33	16.0	28.0	50.5	39.0	32	36	30
WEE25PSMO	315 bar	25	M33x2.0	41	16.0	30.0	55.0	44.0	41	46	36
WEE30PSMO	250 bar	30	M42x2.0	51	17.0	36.0	64.0	51.0	50	50	50
WEE38PSMO	200 bar	38	M48x2.0	56	19.0	34.0	65.5	54.0	55	60	50

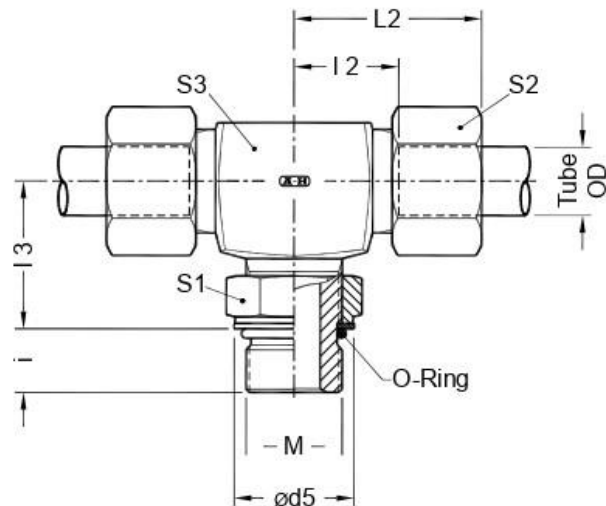
# Adjustable Locknut Branch Tee

TEE-MO

Dimensions in mm

DIN Fittings

Metric Tube end as per ISO 8434



Part No.	Series	Tube od	Metric thread M	ød5	i	I 2	* L2	I 3	S1	S2	S3
TEE06PLMO	Light L 315 bar	6	M10x1.0	15	7.0	14.0	29.5	20.0	14	14	14
TEE08PLMO		8	M12x1.5	18	10.0	16.0	31.0	22.0	17	17	14
TEE10PLMO		10	M14x1.5	20	10.0	17.0	32.5	25.0	19	19	19
TEE12PLMO		12	M16x1.5	23	10.0	19.0	34.0	26.0	22	22	19
TEE15PLMO		15	M18x1.5	25	11.0	21.0	37.0	30.0	24	27	22
TEE18PLMO		18	M22x1.5	28	12.0	24.0	41.0	33.0	27	32	27
TEE22PLMO	160 bar	22	M27x2.0	33	14.0	28.0	45.0	35.0	32	36	30
TEE28PLMO		28	M33x2.0	41	14.0	31.0	49.0	38.0	41	41	36
TEE35PLMO		35	M42x2.0	51	14.0	38.0	61.0	48.0	50	50	50
TEE42PLMO		42	M48x2.0	56	16.0	38.0	61.5	49.0	55	60	50
TEE06PSMO	Heavy 400 bar	6	M12x1.5	18	10.0	15.0	30.5	22.0	17	17	14
TEE08PSMO		8	M14x1.5	20	10.0	17.0	32.0	26.0	19	19	19
TEE10PSMO		10	M16x1.5	23	11.0	18.0	35.0	27.0	22	22	19
TEE12PSMO		12	M18x1.5	25	12.0	22.0	38.5	31.0	24	24	22
TEE16PSMO		16	M22x1.5	28	14.0	25.0	44.0	35.0	27	30	27
TEE20PSMO		400 bar	20	M27x2.0	33	16.0	28.0	50.5	39.0	32	36
TEE25PSMO	315 bar	25	M33x2.0	41	16.0	30.0	55.0	44.0	41	46	36
TEE30PSMO	250 bar	30	M42x2.0	51	17.0	36.0	64.0	51.0	50	50	50
TEE38PSMO	200 bar	38	M48x2.0	56	19.0	34.0	65.5	54.0	55	60	50

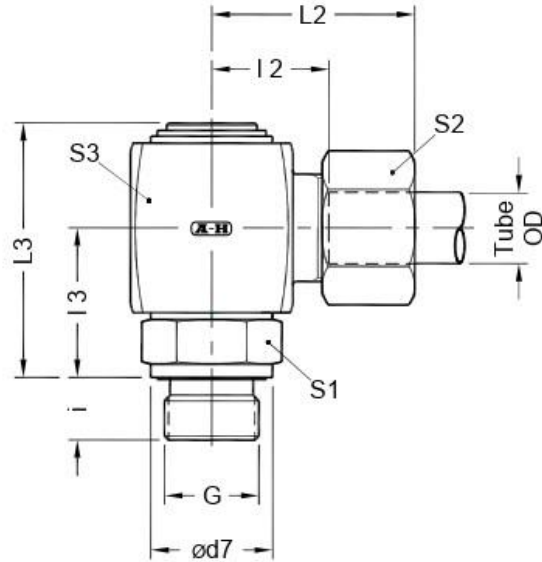
## Rotary Banjo Couplings

RW-GE

Dimensions in mm

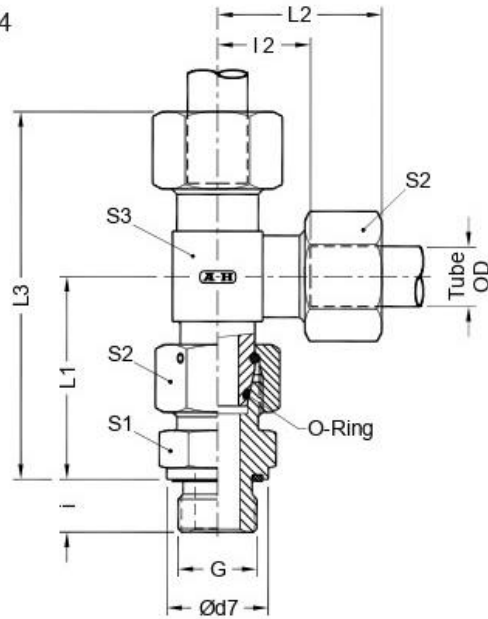
DIN Fittings

Metric Tube end as per ISO 8434  
Male stud - BSPP (G) threads  
with Elastomeric seal



Part No.	Series	Tube od	BSP thread G	ød7	i	I2	I3	* L2	L3	S1	S2	S3
RW06PLGE	Light L 250 bar	6	G 1/8 A	14	8	14.0	19.0	29.0	35.5	14	14	22
RW08PLGE		8	G 1/4 A	19	12	18.0	23.5	33.0	41.5	19	17	27
RW10PLGE		10	G 1/4 A	19	12	19.0	23.5	35.0	41.5	19	19	27
RW12PLGE		12	G 3/8 A	22	12	20.0	27.0	35.0	46.5	22	22	32
RW15PLGE		15	G 1/2 A	27	14	25.5	33.5	41.5	57.0	27	27	36
RW18PLGE	100 bar	18	G 1/2 A	27	14	25.0	33.5	42.5	57.0	27	32	36
RW22PLGE		22	G 3/4 A	32	16	29.5	39.0	47.0	66.0	32	36	46
RW28PLGE	100 bar	28	G 1 A	40	18	34.0	45.0	52.5	78.0	41	41	55
RW35PLGE		35	G1 1/4 A	50	20	38.0	51.5	60.5	93.0	50	50	65
RW42PLGE		42	G1 1/2 A	55	22	42.5	60.5	65.5	108.0	55	60	75
RW06PSGE	Heavy S 400 bar	6	G 1/4 A	19	12	18.5	23.5	33.5	41.5	19	17	27
RW08PSGE		8	G 1/4 A	19	12	18.5	23.5	33.5	41.5	19	19	27
RW10PSGE		10	G 3/8 A	22	12	20.5	27.0	38.0	46.5	22	22	32
RW12PSGE		12	G 3/8 A	22	12	20.5	27.0	37.0	46.5	22	24	32
RW16PSGE	400 bar	16	G 1/2 A	27	14	23.5	33.5	43.0	57.0	27	30	36
RW20PSGE		20	G 3/4 A	32	16	28.5	39.0	51.0	66.0	32	36	46
RW25PSGE		25	G 1 A	40	18	33.5	45.0	58.5	78.0	41	46	55
RW30PSGE	250 bar	30	G1 1/4 A	50	20	39.0	51.5	67.5	93.0	50	50	65
RW38PSGE		38	G1 1/2 A	55	22	43.5	60.5	75.5	108.0	55	60	75

Metric Tube end as per ISO 8434  
 Male Stud - BSPP (G) threads  
 DIN 3852-Part 11,  
 with Elastomeric seal



Part No.	Series	Tube od	G Male BSP thread	ød7	i	l 2	* L1	* L2	* L3	S1	S2	S3
EL06PLGE	Light L 315 bar	6	G 1/8	14	8	12.0	34.5	27.5	62.0	14	14	12
EL08PLGE		8	G 1/4	19	12	14.0	37.5	29.0	66.5	19	17	14
EL10PLGE		10	G 1/4	19	12	15.0	40.0	30.5	70.5	19	19	17
EL12PLGE		12	G 3/8	22	12	17.0	42.0	32.0	74.0	22	22	19
EL15PLGE		15	G 1/2	27	14	21.0	46.5	37.0	83.5	27	27	22
EL18PLGE		18	G 1/2	27	14	23.5	50.0	40.5	90.5	27	32	27
EL22PLGE	160 bar	22	G 3/4	32	16	27.5	55.0	44.5	99.5	32	36	30
EL28PLGE		28	G 1	40	18	30.5	59.0	48.5	107.5	41	41	36
EL35PLGE		35	G1.1/4	50	20	34.5	68.5	57.5	126.0	50	50	46
EL42PLGE		42	G1.1/2	55	22	40.0	75.0	63.5	138.5	55	60	55
EL06PSGE	Heavy S 630 bar	6	G 1/4	19	12	16.0	40.0	31.5	71.5	19	17	14
EL08PSGE		8	G 1/4	19	12	17.0	42.5	32.0	74.5	19	19	17
EL10PSGE		10	G 3/8	22	12	17.5	45.0	34.5	79.5	22	22	19
EL12PSGE		12	G 3/8	22	12	21.5	48.0	38.0	86.0	22	24	22
EL16PSGE		16	G 1/2	27	14	24.5	55.0	43.5	98.5	27	30	24
EL20PSGE		20	G 3/4	32	16	26.5	65.0	49.0	114.0	32	36	30
EL25PSGE	400 bar	25	G 1	40	18	30.0	73.0	55.0	128.0	41	46	36
EL30PSGE		30	G1.1/4	50	20	35.5	78.5	63.5	142.0	50	50	46
EL38PSGE		38	G1.1/2	55	22	41.0	89.0	72.5	161.5	55	60	55

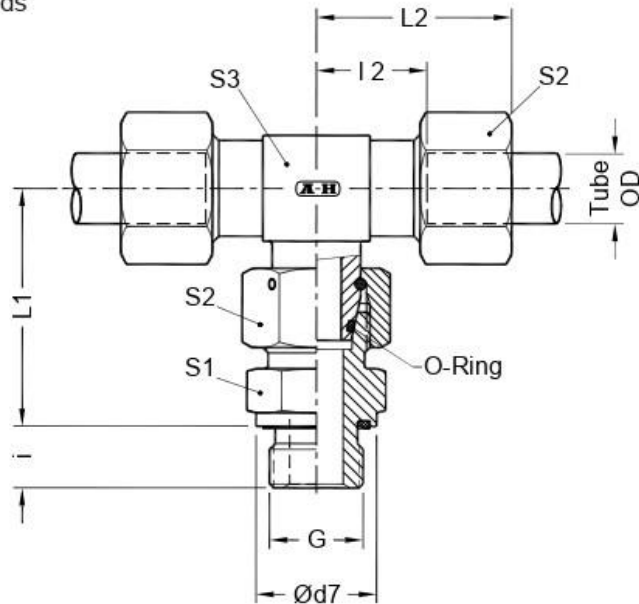
# Swivel Stud Branch Tee Couplings with O-Ring

ET-GE

Dimensions in mm

DIN Fittings

Metric Tube end as per ISO 8434  
 Male Stud - BSPP (G) threads  
 DIN 3852-Part 11,  
 with Elastomeric seal



Part No.	Series	Tube od	G Male BSP thread	Ød7	i	l2	L1	* L2	S1	S2	S3
ET06PLGE	Light L 315 bar	6	G 1/8	14	8	12.0	34.5	27.5	14	14	12
ET08PLGE		8	G 1/4	19	12	14.0	37.5	29.0	19	17	14
ET10PLGE		10	G 1/4	19	12	15.0	40.0	30.5	19	19	17
ET12PLGE		12	G 3/8	22	12	17.0	42.0	32.0	22	22	19
ET15PLGE		15	G 1/2	27	14	21.0	46.5	37.0	27	27	22
ET18PLGE		18	G 1/2	27	14	23.5	50.0	40.5	27	32	27
ET22PLGE	160 bar	22	G 3/4	32	16	27.5	55.0	44.5	32	36	30
ET28PLGE		28	G 1	40	18	30.5	59.0	48.5	41	41	36
ET35PLGE		35	G1.1/4	50	20	34.5	68.5	57.5	50	50	46
ET42PLGE		42	G1.1/2	55	22	40.0	75.0	63.5	55	60	55
ET06PSGE	Heavy S 630 bar	6	G 1/4	19	12	16.0	40.0	31.5	19	17	14
ET08PSGE		8	G 1/4	19	12	17.0	42.5	32.0	19	19	17
ET10PSGE		10	G 3/8	22	12	17.5	45.0	34.5	22	22	19
ET12PSGE		12	G 3/8	22	12	21.5	48.0	38.0	22	24	22
ET16PSGE	400 bar	16	G 1/2	27	14	24.5	55.0	43.5	27	30	24
ET20PSGE		20	G 3/4	32	16	26.5	65.0	49.0	32	36	30
ET25PSGE		25	G 1	40	18	30.0	73.0	55.0	41	46	36
ET30PSGE		30	G1.1/4	50	20	35.5	78.5	63.5	50	50	46
ET38PSGE		38	G1.1/2	55	22	41.0	89.0	72.5	55	60	55

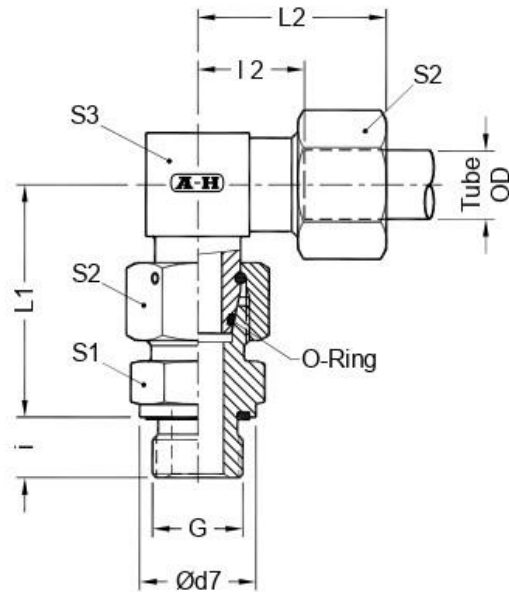
## Swivel Stud Elbow Couplings with O-Ring

EW-GE

Dimensions in mm

DIN Fittings

Metric Tube end as per ISO 8434  
Male Stud - BSPP (G) threads  
DIN 3852-Part 11,  
with Elastomeric seal



Part No.	Series	Tube od	G Male BSP thread	Ød7	i	I2	L1	* L2	S1	S2	S3
EW06PLGE	Light L 315 bar	6	G 1/8	14	8	12.0	34.5	27.5	14	14	12
EW08PLGE		8	G 1/4	19	12	14.0	37.5	29.0	19	17	14
EW10PLGE		10	G 1/4	19	12	15.0	40.0	30.5	19	19	17
EW12PLGE		12	G 3/8	22	12	17.0	42.0	32.0	22	22	19
EW15PLGE		15	G 1/2	27	14	21.0	46.5	37.0	27	27	22
EW18PLGE		18	G 1/2	27	14	23.5	50.0	40.5	27	32	27
EW22PLGE	160 bar	22	G 3/4	32	16	27.5	55.0	44.5	32	36	30
EW28PLGE		28	G 1	40	18	30.5	59.0	48.5	41	41	36
EW35PLGE		35	G1.1/4	50	20	34.5	68.5	57.5	50	50	46
EW42PLGE		42	G1.1/2	55	22	40.0	75.0	63.5	55	60	55
EW06PSGE	Heavy S 630 bar	6	G 1/4	19	12	16.0	40.0	31.5	19	17	14
EW08PSGE		8	G 1/4	19	12	17.0	42.5	32.0	19	19	17
EW10PSGE		10	G 3/8	22	12	17.5	45.0	34.5	22	22	19
EW12PSGE		12	G 3/8	22	12	21.5	48.0	38.0	22	24	22
EW16PSGE	400 bar	16	G 1/2	27	14	24.5	55.0	43.5	27	30	24
EW20PSGE		20	G 3/4	32	16	26.5	65.0	49.0	32	36	30
EW25PSGE		25	G 1	40	18	30.0	73.0	55.0	41	46	36
EW30PSGE		30	G1.1/4	50	20	35.5	78.5	63.5	50	50	46
EW38PSGE	315 bar	38	G1.1/2	55	22	41.0	89.0	72.5	55	60	55

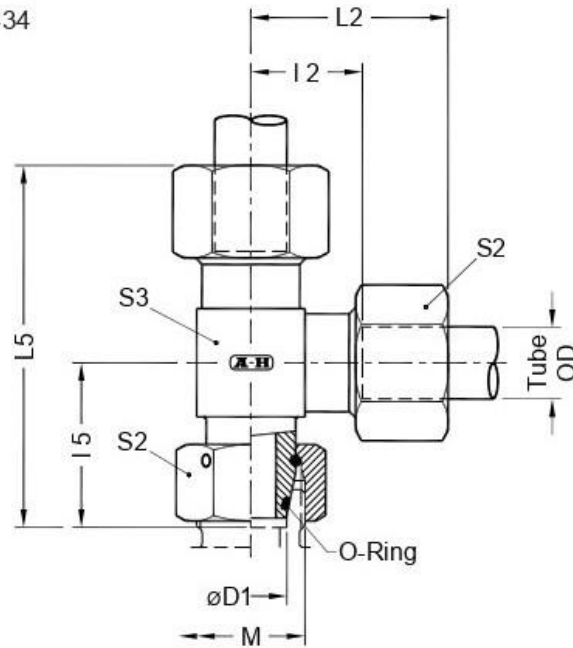
# Swivel Barrel Tee Couplings with O-Ring

EL

Dimensions in mm

DIN Fittings

Metric Tube end as per ISO 8434



Part No.	Series	Tube od (ØD1)	M	I 2	I 5	* L2	* L5	S2	S3	O - Ring ID x CSD
EL06PL	Light L 315 bar	6	M12 x 1.5	12.0	26.0	27.5	53.5	14	12	4.0 x 1.5
EL08PL		8	M14 x 1.5	14.0	27.5	29.0	56.5	17	14	6.0 x 1.5
EL10PL		10	M16 x 1.5	15.0	29.0	30.5	59.5	19	17	7.5 x 1.5
EL12PL		12	M18 x 1.5	17.0	29.5	32.0	61.5	22	19	9.0 x 1.5
EL15PL		15	M22 x 1.5	21.0	32.5	37.0	69.5	27	22	12.0 x 2.0
EL18PL		18	M26 x 1.5	23.5	35.5	40.5	76.0	32	27	15.0 x 2.0
EL22PL	160 bar	22	M30 x 2.0	27.5	38.5	44.5	83.0	36	30	20.0 x 2.0
EL28PL		28	M36 x 2.0	30.5	41.5	48.5	90.0	41	36	26.0 x 2.0
EL35PL		35	M45 x 2.0	34.5	51.0	57.5	108.5	50	46	32.0 x 2.5
EL42PL		42	M52 x 2.0	40.0	56.0	63.5	119.5	60	55	38.0 x 2.5
EL06PS	Heavy S 630 bar	6	M14 x 1.5	16.0	27.0	31.5	58.5	17	14	4.0 x 1.5
EL08PS		8	M16 x 1.5	17.0	27.5	32.0	59.5	19	17	6.0 x 1.5
EL10PS		10	M18 x 1.5	17.5	30.0	34.5	64.5	22	19	7.5 x 1.5
EL12PS		12	M20 x 1.5	21.5	31.0	38.0	69.0	24	22	9.0 x 1.5
EL16PS	400 bar	16	M24 x 1.5	24.5	36.5	43.5	80.0	30	24	12.0 x 2.0
EL20PS		20	M30 x 2.0	26.5	44.5	49.0	93.5	36	30	16.3 x 2.4
EL25PS		25	M36 x 2.0	30.0	50.0	55.0	105.0	46	36	20.3 x 2.4
EL30PS		30	M42 x 2.0	35.5	55.0	63.5	118.5	50	46	25.3 x 2.4
EL38PS	315 bar	38	M52 x 2.0	41.0	63.0	72.5	135.5	60	55	33.3 x 2.4



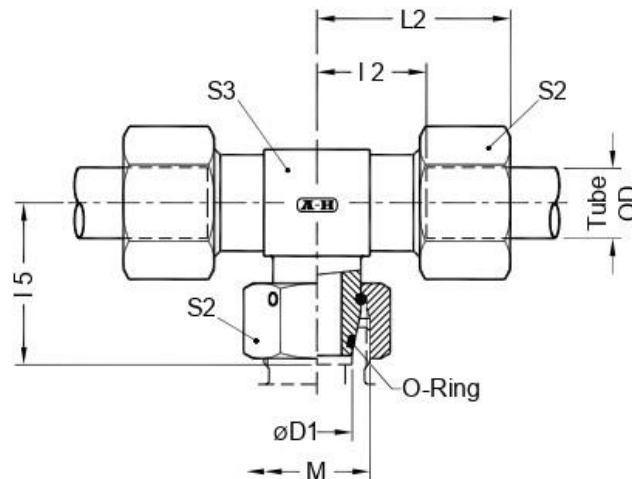
## Swivel Branch Tee Couplings with O-Ring

ET

Dimensions in mm

DIN Fittings

Metric Tube end as per ISO 8434



Part No.	Series	Tube od (øD1)	M	I 2	I 5	* L2	S2	S3	O - Ring ID x CSD
ET06PL	Light L 315 bar	6	M12 x 1.5	12.0	26.0	27.5	14	12	4.0 x 1.5
ET08PL		8	M14 x 1.5	14.0	27.5	29.0	17	14	6.0 x 1.5
ET10PL		10	M16 x 1.5	15.0	29.0	30.5	19	17	7.5 x 1.5
ET12PL		12	M18 x 1.5	17.0	29.5	32.0	22	19	9.0 x 1.5
ET15PL		15	M22 x 1.5	21.0	32.5	37.0	27	22	12.0 x 2.0
ET18PL		18	M26 x 1.5	23.5	35.5	40.5	32	27	15.0 x 2.0
ET22PL	160 bar	22	M30 x 2.0	27.5	38.5	44.5	36	30	20.0 x 2.0
ET28PL		28	M36 x 2.0	30.5	41.5	48.5	41	36	26.0 x 2.0
ET35PL		35	M45 x 2.0	34.5	51.0	57.5	50	46	32.0 x 2.5
ET42PL		42	M52 x 2.0	40.0	56.0	63.5	60	55	38.0 x 2.5
ET06PS	Heavy S 630 bar	6	M14 x 1.5	16.0	27.0	31.5	17	14	4.0 x 1.5
ET08PS		8	M16 x 1.5	17.0	27.5	32.0	19	17	6.0 x 1.5
ET10PS		10	M18 x 1.5	17.5	30.0	34.5	22	19	7.5 x 1.5
ET12PS		12	M20 x 1.5	21.5	31.0	38.0	24	22	9.0 x 1.5
ET16PS	400 bar	16	M24 x 1.5	24.5	36.5	43.5	30	24	12.0 x 2.0
ET20PS		20	M30 x 2.0	26.5	44.5	49.0	36	30	16.3 x 2.4
ET25PS		25	M36 x 2.0	30.0	50	55.0	46	36	20.3 x 2.4
ET30PS		30	M42 x 2.0	35.5	55	63.5	50	46	25.3 x 2.4
ET38PS	315 bar	38	M52 x 2.0	41.0	63	72.5	60	55	33.3 x 2.4

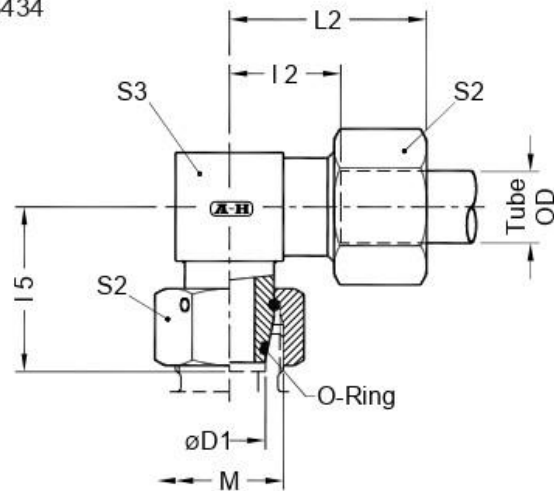
## Swivel Elbow Couplings with O-Ring

EW

Dimensions in mm

DIN Fittings

Metric Tube end as per ISO 8434



Part No.	Series	Tube od (øD1)	M	I2	I5	* L2	S2	S3	O - Ring ID x CSD
EW06PL	Light L 315 bar	6	M12 x 1.5	12.0	26.0	27.5	14	12	4.0 x 1.5
EW08PL		8	M14 x 1.5	14.0	27.5	29.0	17	14	6.0 x 1.5
EW10PL		10	M16 x 1.5	15.0	29.0	30.5	19	17	7.5 x 1.5
EW12PL		12	M18 x 1.5	17.0	29.5	32.0	22	19	9.0 x 1.5
EW15PL		15	M22 x 1.5	21.0	32.5	37.0	27	22	12.0 x 2.0
EW18PL		18	M26 x 1.5	23.5	35.5	40.5	32	27	15.0 x 2.0
EW22PL	160 bar	22	M30 x 2.0	27.5	38.5	44.5	36	30	20.0 x 2.0
EW28PL		28	M36 x 2.0	30.5	41.5	48.5	41	36	26.0 x 2.0
EW35PL		35	M45 x 2.0	34.5	51.0	57.5	50	46	32.0 x 2.5
EW42PL		42	M52 x 2.0	40.0	56.0	63.5	60	55	38.0 x 2.5
EW06PS	Heavy S 630 bar	6	M14 x 1.5	16.0	27.0	31.5	17	14	4.0 x 1.5
EW08PS		8	M16 x 1.5	17.0	27.5	32.0	19	17	6.0 x 1.5
EW10PS		10	M18 x 1.5	17.5	30.0	34.5	22	19	7.5 x 1.5
EW12PS		12	M20 x 1.5	21.5	31.0	38.0	24	22	9.0 x 1.5
EW16PS	400 bar	16	M24 x 1.5	24.5	36.5	43.5	30	24	12.0 x 2.0
EW20PS		20	M30 x 2.0	26.5	44.5	49.0	36	30	16.3 x 2.4
EW25PS		25	M36 x 2.0	30.0	50	55.0	46	36	20.3 x 2.4
EW30PS		30	M42 x 2.0	35.5	55	63.5	50	46	25.3 x 2.4
EW38PS	315 bar	38	M52 x 2.0	41.0	63	72.5	60	55	33.3 x 2.4

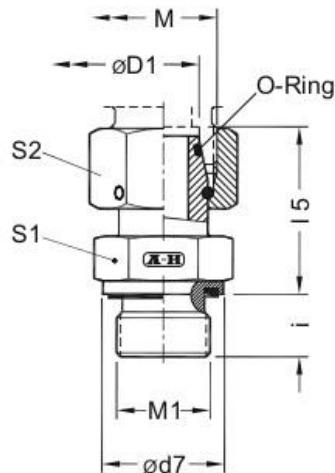
## Straight Stud Standpipes with O-Ring

EGE-ME

Dimensions in mm

DIN Fittings

Metric Standpipe with Swivel Coupling nut  
Male Metric (M) threads,  
DIN 3852-11 / ISO 9974 Form E  
with Elastomeric seal



Part No.	Series	Tube od øD1	M1 Male Metric thread	M	ød7	i	15	S1	S2	O - Ring ID x CSD
EGE06LME	<b>Light L</b> 315 bar	6	M10 x 1.0	M12 x 1.5	14	8	24.5	14	14	4.0 x 1.5
EGE08LME		8	M12 x 1.5	M14 x 1.5	17	12	29.5	17	17	6.0 x 1.5
EGE10LME		10	M14 x 1.5	M16 x 1.5	19	12	27.5	19	19	7.5 x 1.5
EGE12LME		12	M16 x 1.5	M18 x 1.5	22	12	30.5	22	22	9.0 x 1.5
EGE15LME		15	M18 x 1.5	M22 x 1.5	24	12	31.5	24	27	12.0 x 2.0
EGE18LME		18	M22 x 1.5	M26 x 1.5	27	14	31.5	27	32	15.0 x 2.0
EGE22LME	160 bar	22	M26 x 1.5	M30 x 2.0	32	16	32.5	32	36	20.0 x 2.0
EGE28LME		28	M33 x 2.0	M36 x 2.0	40	18	35.0	41	41	26.0 x 2.0
EGE35LME		35	M42 x 2.0	M45 x 2.0	50	20	42.5	50	50	32.0 x 2.5
EGE42LME		42	M48 x 2.0	M52 x 2.0	55	22	46.5	55	60	38.0 x 2.5
EGE06SME	<b>Heavy S</b> 630 bar	6	M12 x 1.5	M14 x 1.5	17	12	27.0	17	17	4.0 x 1.5
EGE08SME		8	M14 x 1.5	M16 x 1.5	19	12	29.5	19	19	6.0 x 1.5
EGE10SME		10	M16 x 1.5	M18 x 1.5	22	12	32.0	22	22	7.5 x 1.5
EGE12SME		12	M18 x 1.5	M20 x 1.5	24	12	34.0	24	24	9.0 x 1.5
EGE16SME	400 bar	16	M22 x 1.5	M24 x 1.5	27	14	37.0	27	30	12.0 x 2.0
EGE20SME		20	M27 x 2.0	M30 x 2.0	32	16	43.0	32	36	16.3 x 2.4
EGE25SME		25	M33 x 2.0	M36 x 2.0	40	18	48.0	41	46	20.3 x 2.4
EGE30SME		30	M42 x 2.0	M42 x 2.0	50	20	51.0	50	50	25.3 x 2.4
EGE38SME	315 bar	38	M48 x 2.0	M52 x 2.0	55	22	60.0	55	60	33.3 x 2.4

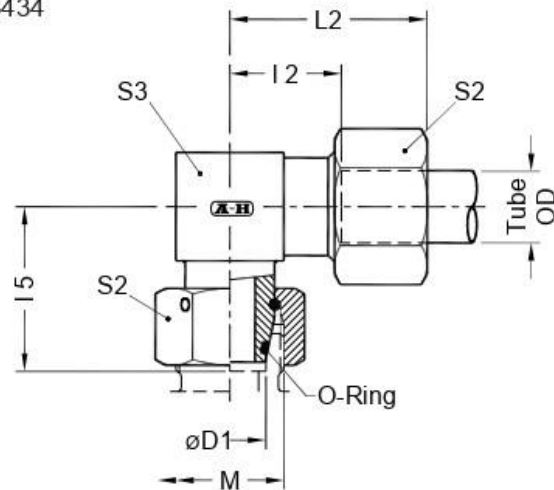
# Swivel Elbow Couplings with O-Ring

EW

Dimensions in mm

DIN Fittings

Metric Tube end as per ISO 8434



Part No.	Series	Tube od (øD1)	M	I2	I5	* L2	S2	S3	O - Ring ID x CSD
EW06PL	Light L 315 bar	6	M12 x 1.5	12.0	26.0	27.5	14	12	4.0 x 1.5
EW08PL		8	M14 x 1.5	14.0	27.5	29.0	17	14	6.0 x 1.5
EW10PL		10	M16 x 1.5	15.0	29.0	30.5	19	17	7.5 x 1.5
EW12PL		12	M18 x 1.5	17.0	29.5	32.0	22	19	9.0 x 1.5
EW15PL		15	M22 x 1.5	21.0	32.5	37.0	27	22	12.0 x 2.0
EW18PL		18	M26 x 1.5	23.5	35.5	40.5	32	27	15.0 x 2.0
EW22PL	160 bar	22	M30 x 2.0	27.5	38.5	44.5	36	30	20.0 x 2.0
EW28PL		28	M36 x 2.0	30.5	41.5	48.5	41	36	26.0 x 2.0
EW35PL		35	M45 x 2.0	34.5	51.0	57.5	50	46	32.0 x 2.5
EW42PL		42	M52 x 2.0	40.0	56.0	63.5	60	55	38.0 x 2.5
EW06PS	Heavy S 630 bar	6	M14 x 1.5	16.0	27.0	31.5	17	14	4.0 x 1.5
EW08PS		8	M16 x 1.5	17.0	27.5	32.0	19	17	6.0 x 1.5
EW10PS		10	M18 x 1.5	17.5	30.0	34.5	22	19	7.5 x 1.5
EW12PS		12	M20 x 1.5	21.5	31.0	38.0	24	22	9.0 x 1.5
EW16PS	400 bar	16	M24 x 1.5	24.5	36.5	43.5	30	24	12.0 x 2.0
EW20PS		20	M30 x 2.0	26.5	44.5	49.0	36	30	16.3 x 2.4
EW25PS		25	M36 x 2.0	30.0	50	55.0	46	36	20.3 x 2.4
EW30PS		30	M42 x 2.0	35.5	55	63.5	50	46	25.3 x 2.4
EW38PS	315 bar	38	M52 x 2.0	41.0	63	72.5	60	55	33.3 x 2.4