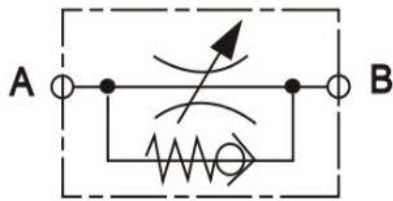


Carbon Steel



up to 350 bar
up to 300 l/min

Flow Control Valves and Flow Control Valves with reverse flow check

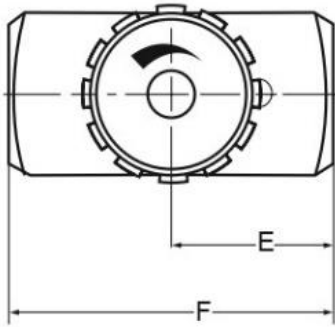
DV 06 to 40



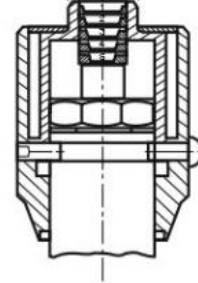
Flow Control Valves

Dimensions

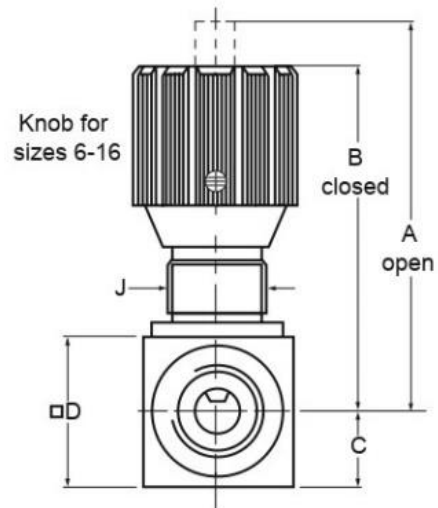
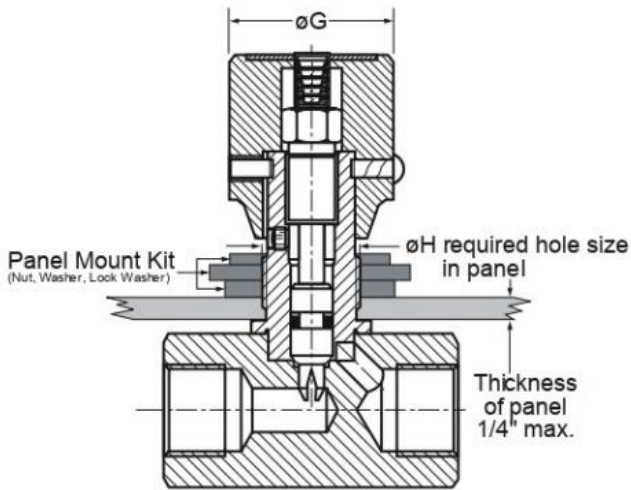
DV Series Inline Needle Valve



Hex extension



Knob for Sizes 20-40 has Hex extension for wrench



Model Code	Port Size	A	B	C	D	E	F	ϕG	ϕH	Hex	Weight
DV-06	1/8"	55	50	8	16	19	38	24	13	12	0.12
DV-08	1/4"	72	65	12	25	24	48	29	19	12	0.25
DV-10	3/8"	74	67	15	30	29	58	29	19	12	0.40
DV-12	1/2"	92	82	17	35	34	68	38	23	12	0.70
DV-16	3/4"	105	96	22	45	39	78	38	23	12	1.2
DV-20	1"	145	128	25	50	54	108	49	38	19	2.1
DV-25	1-1/4"	150	133	30	60	54	108	49	38	19	2.8
DV-30	1-1/2"	155	138	35	70	54	108	49	38	19	3.5