

2 Way Carbon Steel



NEEDLE
VALVE



NEEDLE VALVES NV

NV G 1/2 DN13 S6000 A105/F6

Type and way of valve
NV needle valves

Valves dimension of pressure(psi)

GAS DIN/ISO 228	ANSI/ASME B1.20.1 NPT
G 1/4	N 1/4
G 3/8	N 3/8
G 1/2	N 1/2
G 3/4	N 3/4
G 1"	N 1"
G 1" 1/4	N 1" 1/4
G 1" 1/2	N 1" 1/2

Nominal dimension

DN6
DN10
DN13
DN20
DN25
DN32
DN40

Pressure

S3000 6000

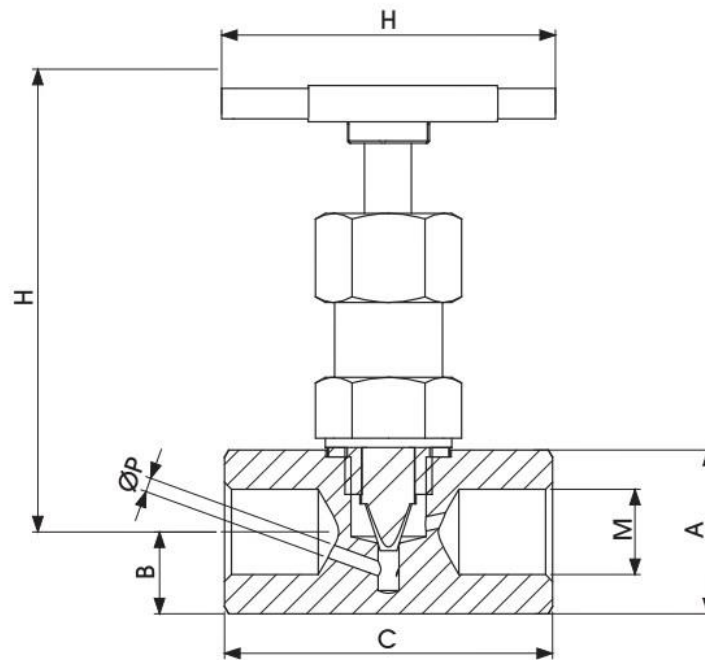
Body/Stem material

A105 1,0570
F6 1,0570

Specifications

- Type: needle valve NV
- Body: square
- Material: 1,0570/1,4301
- Ball seats: from DN6 up to DN40
- Operating pressure: S3000 (210 Bar)
S6000 (350 Bar) depending on valve size
and seal materials selected
- Temp. range: -20°C to +100°C depending
on seal material selected

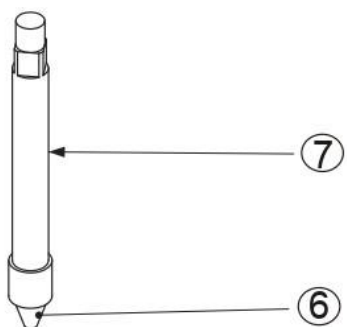
Standard



NV DIN ISO 228 6000 Standard

TYPE	PN	DN	A	B	C	H	I	M	ØP	Kg.
NV G 1/4	500 Bar	6	28	17,5	55	65	100	G 1/4	8	0.55
NV G 3/8	500 Bar	10	30	17,5	60	65	100	G 3/8	8	0.55
NV G 1/2	500 Bar	13	32	20	65	65	115	G 1/2	9	0.99
NV G 3/4	500 Bar	20	38	25	75	65	145	G 3/4	11	1.30
NV G 1"	500 Bar	25	45	30	85	75	150	G 1"	15	1.80
NV G 1" 1/4	500 Bar	32	50	35	90	75	160	G 1" 1/4	19	2.20
NV G 1" 1/2	500 Bar	40	55	40	90	75	170	G 1" 1/2	22	2.20

NEEDLE VALVES



Pos	Description	Material	Q.tà
1	Body	1,0570	1
2	Gasket	GLINGERITE	1
3	Boneet	1,0570	1
4	Gland	GRAPHITE	1
5	Gland Press	1,0503	1
6	Wedge	1,0503	1
7	Stem	1,0503	1
8	Packing nut	1,0570	1
9	Handle	1,0116	1

On request
• Special Threads