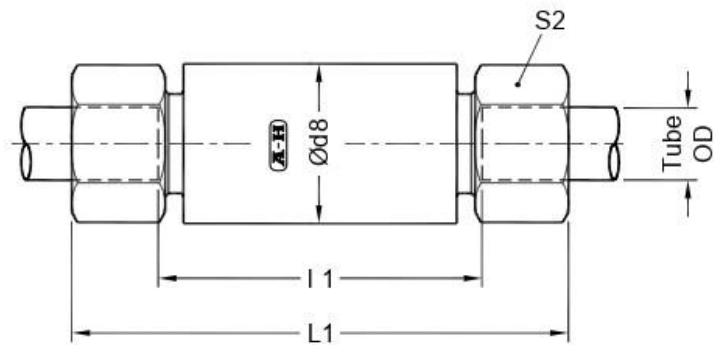
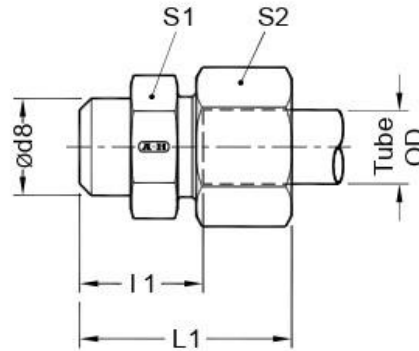


Metric Tube end as per ISO 8434



| * | | | | | | |
|----------|---------------------------|---------|--------------|------|------|------|
| Part No. | Series | Tube od | Ød8 | $I1$ | $L1$ | $S2$ |
| ESV06PL | Light L 250 bar | 6 | 18 | 56 | 87 | 14 |
| ESV08PL | | 8 | 20 | 56 | 86 | 17 |
| ESV10PL | | 10 | 22 | 58 | 89 | 19 |
| ESV12PL | | 12 | 25 | 58 | 88 | 22 |
| ESV15PL | | 15 | 28 | 70 | 102 | 27 |
| ESV18PL | 160 bar | 18 | 32 | 69 | 103 | 32 |
| ESV22PL | | 22 | 36 | 73 | 107 | 36 |
| ESV28PL | 100 bar | 28 | 40 | 73 | 109 | 41 |
| ESV35PL | | 35 | 50 | 71 | 117 | 50 |
| ESV42PL | | 42 | 60 | 70 | 117 | 60 |
| ESV06PS | Heavy S 630 bar | 6 | 20 | 60 | 91 | 17 |
| ESV08PS | | 8 | 22 | 60 | 90 | 19 |
| ESV10PS | | 10 | 25 | 59 | 93 | 22 |
| ESV12PS | | 12 | 28 | 59 | 92 | 24 |
| ESV16PS | 400 bar | 16 | 35 | 71 | 109 | 30 |
| ESV20PS | | 20 | 38 | 71 | 116 | 36 |
| ESV25PS | | 25 | 45 | 72 | 122 | 46 |
| ESV30PS | 250 bar | 30 | 50 | 73 | 129 | 50 |
| ESV38PS | | 38 | 60 | 72 | 135 | 60 |

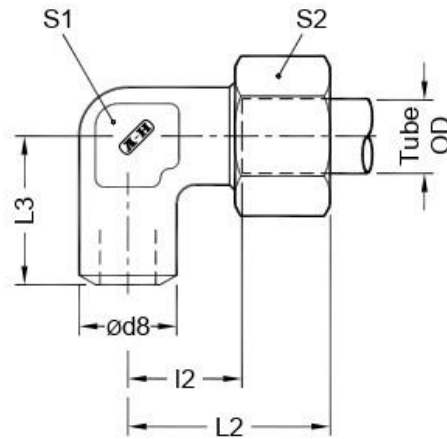
Metric Tube end as per ISO 8434



*

| Part No. | Series | Tube od | ød8 | l1 | L1 | S1 | S2 |
|----------|--------------------|---------|-----|------|------|----|----|
| AS06PL | Light L 250 bar | 6 | 10 | 14.0 | 29.5 | 12 | 14 |
| AS08PL | | 8 | 12 | 16.0 | 31.0 | 14 | 17 |
| AS10PL | | 10 | 14 | 18.0 | 33.5 | 17 | 19 |
| AS12PL | | 12 | 16 | 18.0 | 33.0 | 19 | 22 |
| AS15PL | | 15 | 19 | 22.0 | 38.0 | 22 | 27 |
| AS18PL | 160 bar | 18 | 22 | 23.5 | 40.5 | 27 | 32 |
| AS22PL | | 22 | 27 | 28.5 | 45.5 | 32 | 36 |
| AS28PL | 100 bar | 28 | 32 | 30.5 | 48.5 | 41 | 41 |
| AS35PL | | 35 | 40 | 32.5 | 55.5 | 46 | 50 |
| AS42PL | | 42 | 46 | 35.0 | 58.5 | 55 | 60 |
| AS06PS | Heavy S 630 bar | 6 | 11 | 19.0 | 34.5 | 14 | 17 |
| AS08PS | | 8 | 13 | 21.0 | 36.0 | 17 | 19 |
| AS10PS | | 10 | 15 | 22.5 | 39.5 | 19 | 22 |
| AS12PS | | 12 | 17 | 24.5 | 41.0 | 22 | 24 |
| AS16PS | 400 bar | 16 | 21 | 26.5 | 45.5 | 27 | 30 |
| AS20PS | | 20 | 26 | 29.5 | 52.0 | 32 | 36 |
| AS25PS | | 25 | 31 | 32.0 | 57.0 | 41 | 46 |
| AS30PS | 250 bar | 30 | 36 | 35.5 | 63.5 | 46 | 50 |
| AS38PS | | 38 | 44 | 38.0 | 69.5 | 55 | 60 |

Metric Tube end as per ISO 8434



*

| Part No. | Series | Tube od | Ød8 | I 2 | L2 | L3 | S1 | S2 |
|----------------|----------------|---------|-----|------|------|----|----|----|
| WAS06PL | Light L | 6 | 10 | 12.0 | 27.5 | 19 | 12 | 14 |
| WAS08PL | 250 bar | 8 | 12 | 14.0 | 29.0 | 23 | 12 | 17 |
| WAS10PL | | 10 | 14 | 15.0 | 30.5 | 24 | 14 | 19 |
| WAS12PL | | 12 | 16 | 17.0 | 32.0 | 25 | 17 | 22 |
| WAS15PL | 160 bar | 15 | 19 | 21.0 | 37.0 | 30 | 22 | 27 |
| WAS18PL | | 18 | 22 | 23.5 | 40.5 | 31 | 24 | 32 |
| WAS22PL | | 22 | 27 | 27.5 | 44.5 | 37 | 27 | 36 |
| WAS28PL | 100 bar | 28 | 32 | 30.5 | 48.5 | 42 | 36 | 41 |
| WAS35PL | | 35 | 40 | 34.5 | 57.5 | 49 | 41 | 50 |
| WAS42PL | | 42 | 46 | 40.0 | 63.5 | 57 | 50 | 60 |
| WAS06PS | Heavy S | 6 | 11 | 16.0 | 31.5 | 23 | 12 | 17 |
| WAS08PS | 630 bar | 8 | 13 | 17.0 | 32.0 | 24 | 14 | 19 |
| WAS10PS | | 10 | 15 | 17.5 | 34.5 | 25 | 17 | 22 |
| WAS12PS | | 12 | 17 | 21.5 | 38.0 | 29 | 19 | 24 |
| WAS16PS | 400 bar | 16 | 21 | 24.5 | 43.5 | 33 | 24 | 30 |
| WAS20PS | | 20 | 26 | 26.5 | 49.0 | 37 | 27 | 36 |
| WAS25PS | | 25 | 31 | 30.0 | 55.0 | 42 | 36 | 46 |
| WAS30PS | 250 bar | 30 | 36 | 35.5 | 63.5 | 49 | 41 | 50 |
| WAS38PS | | 38 | 44 | 41.0 | 72.5 | 57 | 50 | 60 |